

Model 266DDH Differential  
Model 266HDH Gauge  
Model 266NDH Absolute

Measurement made easy

Engineered solutions for all applications



**Base accuracy**

- from 0.06 % of calibrated span

**Reliable sensing system coupled with very latest digital technologies**

- provides large turn down ratio up to 60:1

**Comprehensive sensor choice**

- optimize in-use total performance and stability

**Flexible configuration facilities**

- provided locally via local LCD keypad

**New TTG (Through-The-Glass) keypad technology**

- allows quick and easy local configuration without opening the cover, even in explosion proof environments

**IEC 61508 certification**

- version for SIL2 (1001) and SIL3 (1002) applications

**PED compliance to sound engineering practice (SEP)**

# Model 266DDH Differential

## Model 266HDH Gauge

## Model 266NDH Absolute

### General description

Model 266xx detailed in this data sheet apply for those transmitters which include on high pressure measuring side, a direct mount seal which is integral to the transducer by a short capillary connection inside a protective rigid tube. This construction forms a standalone single assembly suitable to be mounted to the process by the seal mounting facilities. By properly selecting the high and low pressure side variant in the ordering codes model 266DDH can be in the following versions:

- one direct mount seal and one flange for process connection, direct 1/4 – 18 NPT or 1/2 – 14 NPT through adapter; this allows also to connect the other leg (wet or dry) for differential measurement.
- one direct mount seal and one remote seal with capillary; the two seals allow again a differential measurement and must be selected of same type/size.

Model 266HDH and 266NDH have the direct mount seal on the positive side, respectively with the reference at atmospheric or vacuum pressure, for gauge or absolute measurements.

Refer to S26 seals data sheet for additional data and details relevant to seal element. The following table list the types of standard seal which can be mounted with 266xD transmitters (the mnemonic is used as reference in the compatibility table).

Seal model	Seal type	Seal diaphragm size (thickness)	Mnemonic
S26FA S26FE S26RA S26RE	Flanged flush diaphragm (ASME and EN standards; fixed and rotating flange)	2 in. / DN 50	P2
		3 in. / DN 80	P3
		4 in. / DN 100	P3
		2 in. / DN 50 (low)	F2
	Flanged extended diaphragm (ASME and EN standards; only rotating flange S26RA and S26RE)	3 in. / DN 80 (low)	F3
		4 in. / DN 100 (low)	F3
		2 in. / DN 50	E2
		3 in. / DN 80	E3
S26RJ	Flanged flush diaphragm (JIS standards; only rotating flange)	4 in. / DN 100	P3
		A 50	P2
		A 80	P3
S26RR	Flanged flush diaphragm (Ring Joint ASME standards; rotating flange)	A 100	P3
		1.5 in.	P1.5
		2 in.	P2
S26TT	Threaded off-line flanged	3 in.	P3
S26MA S26ME	Off-line flanged (ASME and EN standards)	2 1/2 in.	T 2.5
S26SS	Beverage	2 1/2 in.	T 2.5
	Union nut, Triclamp,	1 1/2 in.	K 1.5
	Cherry Burrel,	2 in. / F50	S2
	Sanitary, Aseptic	3 in. / F80	S3
S26VN	Saddle and Socket	4 in.	S3
S26JN	In-line type (ONLY DIRECT MOUNT WITH 266HDH / 266NDH)	2 1/2 in.	P1.5
		1 in.	J1
		1 1/2 in.	J1.5
		2 in.	J2
S26KN	Pulp & Paper application specific (ONLY DIRECT MOUNT WITH 266HDH / 266NDH)	3 in.	J3
		1 in. ball valve (NOT AVAILABLE WITH 266NDH)	Y1
		1 in. (gasketed, NPT, G 1)	M1
		1 1/2 in. (gasketed)	M1.5
		1 1/2 in. (NPT - G 1 1/2)	M1.5A
		1 1/2 in. (M44 thread)	M1.5B

## Functional Specifications

### Range and span limits

Sensor Code	Upper Range Limit (URL)	Lower Range Limit (LRL)			Minimum span		Compatibility (allowed seal)	
		266DDH differential	266DDH gauge	266HDH gauge 266NDH absolute		266HDH 266NDH with S26KN	Direct mount seal only (different from S26KN)	Direct mount plus remote seal for 266DDH (max length in m)
E	16 kPa 160 mbar 64 inH2O	-16 kPa -160 mbar -64 inH2O	-16 kPa -160 mbar -64 inH2O		0.8 kPa 8 mbar 3.2 inH2O		P2, P3, F2, F3, E3, T2.5 S3	P3 (3), F2 (2), F3 (2) E3 (2), T2.5 (2), S3 (3)
F	40 kPa 400 mbar 160 inH2O	-40 kPa -400 mbar -160 inH2O	-40 kPa -400 mbar -160 inH2O		0.67 kPa 6.7 mbar 2.67 inH2O		P2, P3, F2, F3 E3, T2.5, S2, S3	P2 (2), P3 (5), F2 (3), F3 (6), E3 (3), T2.5 (3), S3 (4)
G	65 kPa 650 mbar 260 inH2O	-65 kPa -650 mbar -260 inH2O	-65 kPa -650 mbar -260 inH2O	-65 kPa (Δ) -650 kPa (Δ) -260 inH2O (Δ)	1.1 kPa 11 mbar 4.35 inH2O	2.2 kPa 22 mbar 8.7 inH2O	P2, P3, F2, F3 E2, E3, T2.5, S2, S3	P2 (2), P3 (5), F2 (3), F3 (6), E3 (3), T2.5 (3), S3 (4)
H	160 kPa 1600 mbar 642 inH2O	-160 kPa -1600 mbar -642 inH2O	0.07 kPa abs (§) 0.7 mbar abs (§) 0.5 mmHg (§)	0.07 kPa abs (§) 0.7 mbar abs (§) 0.5 mmHg (§)	2.67 kPa 26.7 mbar 10.7 inH2O	5.34 kPa 53.4 mbar 21.4 inH2O	P1.5, P2, P3, F2, F3, E2, E3, T2.5, K1.5, S2, S3	P1.5 (3), P2 (5), P3 (10), F2 (8), F3 (10), E2 (4), E3 (8), T2.5 (8), S2 (3), S3 (8)
M	600 kPa 6 bar 87 psi	-600 kPa -6 bar -87 psi	0.07 kPa abs (§) 0.7 mbar abs (§) 0.5 mmHg (§)	0.07 kPa abs (§) 0.7 mbar abs (§) 0.5 mmHg (§)	10 kPa 0.1 bar 1.45 psi	20 kPa 0.2 bar 2.9 psi	P1.5, P2, P3, F2, F3, E2, E3, T2.5, K1.5, S2, S3, Jx (all)	P1.5 (5), P2 (8), P3 (10), F2 (12), F3 (16), E2 (6), E3 (10), T2.5 (8), S2 (6), S3 (8)
P	2400 kPa 24 bar 348 psi	-2400 kPa -24 bar -348 psi	0.07 kPa abs (§) 0.7 mbar abs (§) 0.5 mmHg (§)	0.07 kPa abs (§) 0.7 mbar abs (§) 0.5 mmHg (§)	40 kPa 0.4 bar 5.8 psi	80 kPa 0.8 bar 11.6 psi	P1.5, P2, P3, F2, F3, E2, E3, T2.5, K1.5, S2, S3, Jx (all)	P1.5 (5), P2 (8), P3 (10), F2 (16), F3 (16), E2 (6), E3 (10), T2.5 (8), S2 (6), S3 (8)
Q	8000 kPa 80 bar 1160 psi	-8000 kPa -80 bar -1160 psi	0.07 kPa abs (§) 0.7 mbar abs (§) 0.5 mmHg (§)	0.07 kPa abs (§) 0.7 mbar abs (§) 0.5 mmHg (§)	134 kPa 1.34 bar 19.4 psi	267 kPa 2.67 bar 38.7 psi	P1.5, P2, P3, F2, F3, E2, E3, T2.5, K1.5, S2, S3, Jx (all)	P1.5 (5), P2 (8), P3 (10), F2 (16), F3 (16), E2 (6), E3 (10), T2.5 (8), S2 (6), S3 (8)
S	16000 kPa 160 bar 2320 psi	-16000 kPa -160 bar -2320 psi	0.07 kPa abs (§) 0.7 mbar abs (§) 0.5 mmHg (§)	0.07 kPa abs (§) 0.7 mbar abs (§) 0.5 mmHg (§)	267 kPa 2.67 bar 38.7 psi	534 kPa 5.34 bar 77.4 psi	P1.5, P2, P3, F2, F3, T2.5, Jx (all)	P1.5 (5), P2 (8), P3 (10), F2 (16), F3 (16), T2.5 (8)

(Δ) 0.07 kPa abs, 0.7 mbar abs, 0.5 mmHg for model 266NDH

(§) Lower Range Limit is 0.135 kPa abs, 1.35 mbar abs, 1 mmHg for inert Galden or 0.4 kPa abs, 4 mbar abs, 3 mmHg for inert Halocarbon.

### Span limits

Maximum span = URL (can be further adjusted up to ± URL (TD = 0.5) for differential models, within the range limits)  
IT IS RECOMMENDED TO SELECT THE TRANSMITTER SENSOR CODE PROVIDING THE TURNDOWN VALUE AS LOWEST AS POSSIBLE TO OPTIMIZE PERFORMANCE CHARACTERISTICS.

### Zero suppression and elevation

Zero and span can be adjusted to any value within the range limits detailed in the table as long as:  
— calibrated span ≥ minimum span

### Damping

Selectable time constant : between 0 and 60 s  
This is in addition to sensor response time.

### Turn on time

Operation within specification in less than 10 s with minimum damping.

### Insulation resistance

> 100 MΩ at 500 V DC (terminals to earth)

# Model 266DDH Differential

# Model 266HDH Gauge

# Model 266NDH Absolute

## Operative limits

REFER ALSO TO S26X DATA SHEET FOR POSSIBLE FURTHER LIMITATION DUE TO SEAL VARIANTS AND FOR DATA RELEVANT TO THE POSSIBLE REMOTE SEAL (IF SELECTED ON NEGATIVE SIDE)

### Pressure limits:

#### Overpressure limits

Without damage to the transmitter

Model 266DDH	Fill fluid	Overpressure limits
Sensor F to S	Silicone oil	0.07 kPa abs, 0.7 mbar abs, 0.5 mmHg and 21 MPa, 210 bar, 3045 psi <sup>(1)</sup>
Sensor E	Silicone oil	0.07 kPa abs, 0.7 mbar abs, 0.5 mmHg and 16 MPa, 160 bar, 2320 psi
Sensor F to S	Inert (Galden)	0.135 kPa abs, 1.35 mbar abs, 1 mmHg and 21 MPa, 210 bar, 3045 psi <sup>(1)</sup>
Sensor E	Inert (Galden)	0.135 kPa abs, 1.35 mbar abs, 1 mmHg and 16 MPa, 160 bar, 2320 psi
Sensor F to S	Inert (Halocarbon)	0.4 kPa abs, 4 mbar abs, 3 mmHg and 21 MPa, 210 bar, 3045 psi <sup>(1)</sup>
Sensor E	Inert (Halocarbon)	0.4 kPa abs, 4 mbar abs, 3 mmHg and 16 MPa, 160 bar, 2320 psi

(1) 16 MPa, 160 bar, 2320 psi for AISI 316 ss NACE bolting

Models 266HDH and 266NDH	Fill fluid	Overpressure limits
Sensor P, Q, S	Silicone oil	0.07 kPa abs, 0.7 mbar abs, 0.5 mmHg and 21 MPa, 210 bar, 3045 psi
Sensor G, H, M	Silicone oil	0.07 kPa abs, 0.7 mbar abs, 0.5 mmHg and 14 MPa, 140 bar, 2030 psi
Sensor P, Q, S	Inert (Galden)	0.135 kPa abs, 1.35 mbar abs, 1 mmHg and 21 MPa, 210 bar, 3045 psi
Sensor G, H, M	Inert (Galden)	0.135 kPa abs, 1.35 mbar abs, 1 mmHg and 14 MPa, 140 bar, 2030 psi
Sensor P, Q, S	Inert (Halocarbon)	0.4 kPa abs, 4 mbar abs, 3 mmHg and 21 MPa, 210 bar, 3045 psi
Sensor G, H, M	Inert (Halocarbon)	0.4 kPa abs, 4 mbar abs, 3 mmHg and 14 MPa, 140 bar, 2030 psi

## Static pressure limits

Transmitters for differential pressure model 266DDH operates within specifications between the following limits:

Sensors	Static pressure limits
Sensor F to S with 2 seals (direct mount and remote)	0.07 kPa abs, 0.7 mbar abs, 0.5 mmHg and 21 MPa, 210 bar, 3045 psi <sup>(1)</sup>
Sensor F to S with 1 seal (direct mount only)	1.3 kPa abs, 13 mbar abs, 0.2 psia and 21 MPa, 210 bar, 3045 psi <sup>(1)</sup>
Sensor E with 2 seals (direct mount and remote)	0.07 kPa abs, 0.7 mbar abs, 0.5 mmHg and 16 MPa, 160 bar, 2320 psi
Sensor E with 1 seal (direct mount only)	1.3 kPa abs, 13 mbar abs, 0.2 psia and 16 MPa, 160 bar, 2320 psi

(1) 16 MPa, 160 bar, 2320 psi for AISI 316 ss NACE bolting

Overpressure and static upper limit can be derated by the flange rating of seal, as follows

Seal model S26RE to EN 1092-1	Carbon steel flange @ 120 °C	AISI 316 ss flange @ 20 °C
PN 16	16 bar	16 bar
PN 40	40 bar	40 bar
PN 63	63 bar	63 bar
PN 100	100 bar	100 bar

Seal model S26RA and S26RR to ASME B16.5	Carbon Steel @ 100 °F (38 °C)	AISI 316 ss flange @ 100 °F (38 °C)
Class 150	285 psi	275 psi
Class 300	740 psi	720 psi
Class 600	1480 psi	1440 psi
Class 900	2220 psi	2160 psi
Class 1500	3705 psi	3600 psi

Seal model S26RJ to JIS B 2220	Carbon steel flange @ 120 °C	AISI 316 ss flange @ 120 °C
10K	14 bar	14 bar
20K	36 bar	36 bar
40K	68 bar	68 bar

Seal model S26FE to EN 1092-1	AISI 316 L ss flange @ 20 °C
PN 16	16 bar
PN 40	40 bar
PN 63	63 bar
PN 100	100 bar

Seal model S26FA to ASME B16.5	AISI 316 L ss flange @ 100 °F (38 °C)
Class 150	230 psi
Class 300	600 psi
Class 600	1200 psi

<b>Seal model S26ME to EN 1092-1</b>	<b>AISI 316 ss or Hastelloy C flange</b>
PN 16 / 40	34 bar @ 25 °C (77 °F)

<b>Seal model S26MA to ASME B16.5</b>	<b>AISI 316 L ss flange @ 25 °C (77 °F)</b>	<b>Hastelloy C flange @ 25 °C (77 °F)</b>
Class 150	230 psi	290 psi
Class 300	600 psi	750 psi

The pressure limit decreases with increasing temperature above to the specified values as defined for the material, respectively for ASME B16.5, EN 1092-1 or JIS standards.

Seal model S26TT bolting	Temperature range	Pressure limit
AISI 316 ss or	0 ... 100 °C (32 ... 212 °F)	21 MPa, 210 bar, 3045 psi
Carbon steel	-60 ... 0 °C (-76 ... 32 °F)	16 MPa, 160 bar, 2320 psi
	100 ... 360 °C (212 ... 680 °F)	16 MPa, 160 bar, 2320 psi
Alloy steel	0 ... 37.8 °C (32 ... 100 °F)	21 MPa, 210 bar, 3045 psi
	-48.3 ... 0 °C (-55 ... 32 °F)	16 MPa, 160 bar, 2320 psi
	37.8 ... 360 °C (100 ... 680 °F)	13 MPa, 130 bar, 1885 psi

<b>Seal model S26JN</b>
up to 16 MPa, 160 bar, 2320 psi
but not greater than rating of mounting flange (NOT SUPPLIED)

<b>Seal model S26WA to ASME B16.5</b>
up to 41.37 MPa, 413.7 bar, 6000 psi
but not greater than rating of mounting flange (NOT SUPPLIED)

<b>Seal model S26WE to EN 1092-1</b>	
Form B1	40 MPa, 400 bar, 5800 psi
Form D	16 MPa, 160 bar 2320 psi
Form E	10 MPa, 100 bar, 1450 psi
but not greater than rating of mounting flange (NOT SUPPLIED)	

<b>Seal model S26KN</b>	
1 in seal - sealing with gaskets	3 MPa, 30 bar, 435 psi
1 1/2 in seals - sealing with gasket	5 MPa, 50 bar, 725 psi
1 in seal with ball valve connection	4 MPa, 40 bar, 580 psi
1 in NPT, 1 1/2 in NPT	34.5 MPa, 345 bar, 5000 psi
G 1 in A, G 1 1/2 in A	60 MPa, 600 bar, 8700 psi

Seal model S26VN bolting	Temperature range	Pressure limit
Alloy steel	0 ... 37.8 °C (32 ... 100 °F)	16 MPa, 160 bar, 2320 psi
	-48.3 ... 0 °C (-55 ... 32 °F)	10 MPa, 100 bar, 1450 psi
	37.8 ... 360 °C (100 ... 680 °F)	10 MPa, 100 bar, 1450 psi

<b>Seal model S26SS</b>	<b>Pressure limit</b>
Triclamp 2 in.	3.8 MPa, 38 bar, 550 psi
Triclamp 3 in.	2.4 MPa, 24 bar, 350 psi
Triclamp 4 in.	1.7 MPa, 17 bar, 250 psi
Union nut F50	2.5 MPa, 25 bar, 360 psi
Union nut F80	2.5 MPa, 25 bar, 360 psi
Cherry Burrel 2 in.	1.9 MPa, 19 bar, 275 psi
Cherry Burrel 3 in.	1.9 MPa, 19 bar, 275 psi
Cherry Burrel 4 in.	1.9 MPa, 19 bar, 275 psi
Sanitary flush 4 in.	1.9 MPa, 19 bar, 275 psi
Sanitary extended 4 in.	1.9 MPa, 19 bar, 275 psi
Beverage bolted type 1 1/2 in.	4 MPa, 40 bar, 580 psi
V-band clamp option	1 MPa, 10 bar, 145 psi
4in schedule 5 V-band clamp option	0.7 MPa, 7 bar, 100 psi

### Proof pressure

The transmitter can be exposed without leaking to line pressure of up to

Model	Sensor	Proof pressure
266DDH	Sensor F to S	40.25 MPa, 402.5 bar, 5836 psi
	Sensor E	31.5 MPa, 315 bar, 4567 psi
266HDH	Sensor G, H, M	28 MPa, 280 bar, 4060 psi
266NDH	Sensor P, Q, S	40.25 MPa, 402.5 bar, 5836 psi

or two times the flange rating of seal, whichever is less. Meet ANSI/ISA-S 82.03 hydrostatic test requirements.

# Model 266DDH Differential

## Model 266HDH Gauge

## Model 266NDH Absolute

### Temperature limits °C ( °F ) :

#### Ambient

is the operating temperature

Models 266DDH	Ambient temperature limits
Silicone oil for sensor F to S	-40 and 85 °C (-40 and 185 °F)
Silicone oil for sensor E	-25 and 85 °C (-13 and 185 °F)
Inert (Galden) for sensor F to S	-20 and 85 °C (-4 and 185 °F)
Inert (Galden) for sensor E	-10 and 85 °C (14 and 185 °F)
Inert (Halocarbon) for sensor F to S	-20 and 85 °C (-4 and 185 °F)
Inert (Halocarbon) for sensor E	-10 and 85 °C (14 and 185 °F)

Model 266HDH - 266NDH	Ambient temperature limits
Silicone oil for sensor G to S	-40 and 85 °C (-40 and 185 °F)
Inert (Galden) for sensor G to S	-20 and 85 °C (-4 and 185 °F)
Inert (Halocarbon) for sensor G to S	-20 and 85 °C (-4 and 185 °F)

Models 266DDH - 266HDH - 266NDH	Ambient temperature limits
LCD integral display	-40 and 85 °C (-40 and 185 °F)

LCD display may not be clearly readable below -20 °C (-4 °F) or above +70 °C (+158 °F)

### IMPORTANT

For Hazardous Atmosphere applications see the temperature range specified on the certificate/approval relevant to the aimed type of protection

### Process

Model 266DDH (side without seal)	Process temperature limits
Silicone oil for sensor F to S	-40 and 121 °C (-40 and 250 °F) <sup>(1)</sup>
Silicone oil for sensor E	-25 and 121 °C (-13 and 250 °F) <sup>(1)</sup>
Inert (Galden) for sensor F to S	-20 and 100 °C (-4 and 212 °F) <sup>(2)</sup>
Inert (Galden) for sensor E	-10 and 100 °C (14 and 212 °F) <sup>(2)</sup>
Inert (Halocarbon) for sensor F to S	-20 and 100 °C (-4 and 212 °F) <sup>(2)</sup>
Inert (Halocarbon) for sensor E	-10 and 100 °C (14 and 212 °F) <sup>(2)</sup>
Viton gasket	-20 and 121 °C (-4 and 250 °F)

(1) 100 °C (212 °F) for application below atmospheric pressure

(2) 65 °C (150 °F) for application below atmospheric pressure

Seals model (mnemonic)	Process temperature limits
S26JN In-line type (J1, J1.5, J2, J3)	-40 and 180 °C (-40 and 356 °F)
S26KN Pulp & Paper (M1, M1.5 all)	-40 and 150 °C (-40 and 302 °F)
S26KN Pulp & Paper (Y1)	-20 and 130 °C (-4 and 266 °F)
S26SS Beverage (K1.5)	-40 and 150 °C (-40 and 302 °F)
S26XX (ALL OTHER MNEMONICS)	-100 and 250 °C (-148 and 480 °F)

Seals model S26VN	Process temperature limits
Viton gasket	-20 and 200 °C (-4 and 392 °F)
PTFE gasket	-100 and 260 °C (-148 and 500 °F)
Graphite gasket	-100 and 360 °C (-148 and 680 °F)

The following table show characteristics of fill fluids when used in transmitters with direct mount seal on high pressure side.

Fill fluid (application)	Process temperature and pressure limits			
	Tmax @ Pabs > of	Pmin mbar abs (mmHg)	Tmax @ Pmin	Tmin
Silicone oil DC 200 10 cSt	250 (480) @ 385 mbar	0.7 (0.5)	130 (266)	-40 (-40)
Silicone oil Baysilone PD5 5 cSt	250 (480) @ 900 mbar	0.7 (0.5)	45 (123)	-85 (-121)
Inert oil Galden G5 (oxygen service)	160 (320) @ 1 bar	2.1 (1.52)	60 (140)	-20 (-4)
Inert oil Halocarbon 4.2 (oxygen service)	180 (356) @ 425 mbar	4 (3)	70 (158)	-20 (-4)
Silicone polymer Syltherm XLT (cryogenic service)	100 (212) @ 118 mbar	2.1 (1.52)	20 (68)	-100 (-148)
Silicone oil DC 704 (high temperature)	250 (480) @ 3.5 mbar	0.7 (0.5)	220 (428)	-10 (14)
Vegetable oil Neobee M-20 (food - sanitary) FDA approved	200 (390) @ 1 bar	10 (7.2)	20 (68)	-18 (0)
Mineral oil Esso Marcol 122 (food - sanitary) FDA approved	250 (480) @ 630 mbar	0.7 (0.5)	110 (230)	-6 (21)
Glycerin Water 70% (food - sanitary) FDA approved	93 (200) @ 1 bar	1000 (760)	93 (200)	-7 (20)

Flushing ring gasket material	Process limits		
	Pressure (max.)	Temperature	P x T
Garlock	6.9 MPa, 69 bar, 1000 psi	-73 and 204 °C (-100 and 400 °F)	250000 ( °F x psi)
Graphite	2.5 MPa, 25 bar, 362 psi	-100 and 380 °C (-148 and 716 °F)	
PTFE	6 MPa, 60 bar, 870 psi	-100 and 250 °C (-148 and 482 °F)	

### Storage

Models 266DDH - 266HDH - 266NDH	Storage temperature limits
Storage limits	-50 and 85 °C (-58 and 185 °F)
LCD integral display	-40 and 85 °C (-40 and 185 °F)

## Environmental limits

### Electromagnetic compatibility (EMC)

Comply with EN 61326 and NAMUR NE 21 (option).  
Surge immunity level (with surge protector): 4 kV  
(according to IEC 1000-4-5 EN 61000-4-5)

### Pressure equipment directive (PED)

Comply with 97/23/EEC following sound engineering practice (SEP).

### Humidity

Relative humidity: up to 100 %  
Condensing, icing: admissible

### Vibration resistance

Accelerations up to 2 g at frequency up to 1000 Hz  
(according to IEC 60068-2-6)

### Shock resistance

Acceleration: 50 g  
Duration: 11 ms  
(according to IEC 60068-2-27)

### Wet and dust-laden atmospheres

The transmitter is dust and sand tight and protected against immersion effects as defined by EN 60529 (1989) to IP 67 (IP 68 on request) or by NEMA to 4X or by JIS to C0920. IP65 with Harting Han connector.

## Hazardous atmospheres

With or without integral display

---

### INTRINSIC SAFETY:

ATEX Europe (code E1) approval  
II 1 G Ex ia IIC T6/T5/T4 and II 1/2 G Ex ia IIC T6/T5/T4 and  
II 1 D Ex iaD 20 T85 °C and II 1/2 D Ex iaD 21 T85 °C; IP67.  
IECEx (code E8) approval  
Ex ia IIC T6/T5/T4 and Ex iaD 20 T85 °C and Ex iaD 21 T85 °C; IP67.  
NEPSI China (code EY)  
Ex ia IIC T4~T6, DIP A20TA, T4~T6.

---

### EXPLOSION PROOF:

ATEX Europe (code E2) approval  
II 1/2 G Ex d IIC T6 and II 1/2 D Ex tD A21 IP67 T85 °C (Ta = -50 to +75 °C).  
IECEx (code E9) approval  
Ex d IIC T6 and Ex tD A21 IP67 T85 °C (Ta = -50 to +75 °C).  
NEPSI China (code EZ)  
Ex d IIC T6, DIP A21TA, T6.

---

### TYPE "N":

ATEX Europe (code E3 ) type examination  
II 3 G Ex nL IIC T6/T5/T4 and II 3 D Ex tD A22 IP67 T85 °C; IP67.  
IECEx (code ER) type examination  
Ex nL IIC T6/T5/T4; IP67.  
NEPSI China (code ES) type examination  
Ex nL IIC T4~T6, DIP A22TA, T6.

---

FM Approvals US (code E6) and FM Approvals Canada (code E4):

- Explosionproof (US): Class I, Div. 1, Groups A, B, C, D
- Explosionproof (Canada): Class I, Div. 1, Groups B, C, D
- Dust ignitionproof : Class II, Div. 1, Groups E, F, G
- Suitable for: Class II, Div. 2, Groups F, G; Class III, Div.1, 2
- Nonincendive: Class I, Div. 2, Groups A, B, C, D
- Intrinsically safe: Class I, II, III, Div. 1, Groups A, B, C, D, E, F, G  
Class I, Zone 0 AEx ia IIC T6/T4, Zone 0 (FM US)  
Class I, Zone 0 Ex ia IIC T6/T4, Zone 0 (FM Canada)

---

COMBINED ATEX (code EW = E1 + E2 + E3), (code E7 = E1 + E2)

---

COMBINED ATEX and FM Approvals (code EN = EW + E4 + E6)

---

COMBINED FM Approvals US and Canada

- Intrinsically safe (code EA)
- Explosionproof (code EB)
- Nonincendive (code EC)

---

COMBINED IEC (code EH = E8 + E9), (code EI = E8 + E9 + ER)

---

COMBINED NEPSI (code EP = EY + EZ), (code EQ = EY + EZ + ES)

---

GOST (Russia), GOST (Kazakhstan), GOST (Belarus), Inmetro (Brazil),  
Kosha (Korea).

---

REFER TO CERTIFICATES FOR AMBIENT TEMPERATURE RANGES (WITHIN THE LIMITS OF -50 TO 85°C) RELATED TO THE DIFFERENT TEMPERATURE CLASSES



# Model 266DDH Differential

## Model 266HDH Gauge

## Model 266NDH Absolute

### Electrical Characteristics and Options

#### Optional indicators

##### Standard integral display

(code L9; only available with Standard HART)

Wide screen LCD, 128 x 64 pixel, 52.5 x 27.2 mm (2.06 x 1.07 in.) dot matrix. Multilanguage. Without keypad. User selectable application-specific visualizations.

Totalized and instantaneous flow indication. Display may also indicate static pressure, sensor temperature and diagnostic messages and provides configuration facilities.



##### Integral display with integral keypad

(code L1; not available with Standard HART)

Wide screen LCD, 128 x 64 pixel, 52.5 x 27.2 mm (2.06 x 1.07 in.) dot matrix. Multilanguage.

Four keys for configuration and management of device. Easy setup for quick commissioning. User selectable application-specific visualizations. Totalized and instantaneous flow indication. Display may also indicate static pressure, sensor temperature and diagnostic messages and provides configuration facilities.



##### Integral display with Through-The-Glass (TTG) activated keypad (code L5; not available with Standard HART)

As above integral display but equipped with the innovative TTG keypad allowing the activation of the configuration and management menus of the device without the need of removing the transmitter housing cover.

TTG keypad is protected against accidental activations.



#### Standard and Advanced HART digital communication and 4 to 20 mA output

##### Power supply

The transmitter operates from 10.5 to 42 V DC with no load and is protected against reverse polarity connection (additional load allows operations over 42 V DC).

For Ex ia and other intrinsically safe approval power supply must not exceed 30 V DC. Minimum operating voltage increase to 12.3 V DC with optional surge protector

##### Ripple

20 mV max on a 250  $\Omega$  load as per HART specifications.

##### Load limitations

4 to 20 mA and HART total loop resistance :

$$R \text{ (k}\Omega\text{)} = \frac{\text{Supply voltage} - \text{min. operating voltage (V DC)}}{22 \text{ mA}}$$

A minimum of 250  $\Omega$  is required for HART communication.

##### Optional surge protection

Up to 4kV

- voltage 1.2  $\mu\text{s}$  rise time / 50  $\mu\text{s}$  delay time to half value
- current 8  $\mu\text{s}$  rise time / 20  $\mu\text{s}$  delay time to half value

##### Output signal

Two-wire 4 to 20 mA, user-selectable for linear or square root output, power of  $^{3/2}$  or  $^{5/2}$ , square root for bidirectional flow, 22 points linearization table (i.e. for horizontal or spherical tank level measurement).

HART<sup>®</sup> communication provides digital process variable superimposed on 4 to 20 mA signal, with protocol based on Bell 202 FSK standard.

##### Output current limits (to NAMUR NE 43 standard)

Overload condition

- Lower limit: 3.8 mA (configurable from 3.8 to 4 mA)
- Upper limit: 20.5 mA (configurable from 20 to 21 mA)

##### Alarm current

- Lower limit: 3.6 mA (configurable from 3.6 to 4 mA)
  - Upper limit: 21 mA (configurable from 20 to 22 mA)
- Factory setting: high alarm current

##### Process diagnostics (PILD)

Plugged impulse line detection (PILD) generates a warning via HART communication. The device can also be configured to drive the analog output signal to the "Alarm current".



## FOUNDATION Fieldbus output

### Device type

LINK MASTER DEVICE

Link Active Scheduler (LAS) capability implemented.

Manufacturer code: 000320 (hex)

Device type code: 0007 (hex)

### Power supply

The transmitter operates from 9 to 32 V DC, polarity independent, with or without surge protector.

For Ex ia approval power supply must not exceed 24 V DC (entity certification) or 17.5 V DC (FISCO certification), according to FF-816.

### Current consumption

operating (quiescent): 15 mA

fault current limiting: 20 mA max.

### Output signal

Physical layer in compliance to IEC 1158-2/EN 61158-2 with transmission to Manchester II modulation, at 31.25 kbit/s.

### Function blocks/execution period

3 enhanced Analog Input blocks/25 ms max (each)

1 enhanced PID block/40 ms max.

1 standard ARithmetic block/25 ms

1 standard Input Selector block/25 ms

1 standard Control Selector block/25 ms

1 standard Signal Characterization block/25 ms

1 standard Integrator/Totalizer block/25 ms

### Additional blocks

1 enhanced Resource block,

1 custom Pressure with calibration transducer block

1 custom Advanced Diagnostics transducer block including Plugged Input Line Detection

1 custom Local Display transducer block

### Number of link objects

35

### Number of VCRs

35

## Output interface

FOUNDATION fieldbus digital communication protocol to standard H1, compliant to specification V. 1.7.

### Transmitter failure mode

The output signal is "frozen" to the last valid value on gross transmitter failure condition, detected by self-diagnostics which also indicate a BAD conditions. If electronic failure or short circuit occur the transmitter consumption is electronically limited at a defined value (20 mA approx), for safety of the network.

# Model 266DDH Differential

# Model 266HDH Gauge

# Model 266NDH Absolute

## PROFIBUS PA output

### Device type

Pressure transmitter compliant to Profiles 3.0.1  
Identification number: 3450 (hex)

### Power supply

The transmitter operates from 9 to 32 V DC , polarity independent, with or without surge protector.  
For Ex ia approval power supply must not exceed 17.5 V DC.  
Intrinsic safety installation according to FISCO model.

### Current consumption

operating (quiescent): 15 mA  
fault current limiting: 20 mA max.

### Output signal

Physical layer in compliance to IEC 1158–2/EN 61158–2 with transmission to Manchester II modulation, at 31.25 kbit/s.

### Output interface

PROFIBUS PA communication according to Profibus DP50170 Part 2/DIN 19245 part 1–3.

### Output update time

25 ms

### Data blocks

3 analog input, 1 physical.

### Additional blocks

- 1 Pressure with calibration transducer block
- 1 Advanced Diagnostics transducer block including Plugged Input Line Detection
- 1 Local Display transducer block

### Transmitter failure mode

On gross transmitter failure condition, detected by self-diagnostics, the output signal can be driven to defined conditions, selectable by the user as safe, last valid or calculated value.

If electronic failure or short circuit occur the transmitter consumption is electronically limited at a defined value (20 mA approx), for safety of the network.

## Performance specifications

Stated at reference condition to IEC 60770 ambient temperature of 20 °C (68 °F), relative humidity of 65 %, atmospheric pressure of 1013 hPa (1013 mbar), mounting position with vertical diaphragm and zero based range for transmitter with isolating diaphragms in AISI 316 L ss or Hastelloy and silicone oil fill and HART digital trim values equal to 4 mA and to 20 mA span end points, in linear mode. Unless otherwise specified, errors are quoted as % of span. Some performance referring to the Upper Range Limit are affected by the actual turndown (TD) as ratio between Upper Range Limit (URL) and calibrated span. IT IS RECOMMENDED TO SELECT THE TRANSMITTER SENSOR CODE PROVIDING THE TURNDOWN VALUE AS LOWEST AS POSSIBLE TO OPTIMIZE PERFORMANCE CHARACTERISTICS.

### Accuracy rating

% of calibrated span, including combined effects of terminal based linearity, hysteresis and repeatability.  
For fieldbus versions SPAN refer to analog input function block outscale range

Model	Sensor	for TD	
266DDH	F and G	from 1:1 to 10:1	± 0.06 %
with seals	F and G	from 10:1 to 60:1	± (0.006 x TD) %
mnemonic	H to S	from 1:1 to 10:1	± 0.075 %
P3, F3, E3, S3,	H to S	from 10:1 to 60:1	± (0.0075 x TD) %
K1.5, F2	E	from 1:1 to 5:1	± 0.10 %
	E	from 5:1 to 20:1	± (0.02 x TD) %
266DDH with	F to S	from 1:1 to 10:1	± 0.10 %
seals mnemonic	F to S	from 10:1 to 60:1	± (0.01 x TD) %
different from	E	from 1:1 to 5:1	± 0.15 %
above	E	from 5:1 to 20:1	± (0.03 x TD) %

### Accuracy rating

% of calibrated span, including combined effects of terminal based linearity, hysteresis and repeatability.

For fieldbus versions SPAN refer to analog input function block outscale range

Model	Sensor	for TD	
266HDH with seals mnemonic	M and P	from 1:1 to 10:1	± 0.06 %
P3, F3, E3, S3, K1.5, F2	M and P	from 10:1 to 60:1	± (0.006 x TD) %
	G, H, Q, S	from 1:1 to 10:1	± 0.075 %
	G, H, Q, S	from 10:1 to 60:1	± (0.0075 x TD) %
266HDH with seals mnemonic Y1	H and M	from 1:1 to 5:1	± 0.15 %
	H and M	from 5:1 to 30:1	± (0.03 x TD) %
	P, Q	from 1:1 to 5:1	± 0.075 %
	P, Q	from 5:1 to 30:1	± (0.015 x TD) %
266HDH with seals mnemonic M1	H and M	from 1:1 to 5:1	± 0.15 %
	H and M	from 5:1 to 30:1	± (0.03 x TD) %
	P, Q, S	from 1:1 to 5:1	± 0.075 %
	P, Q, S	from 5:1 to 30:1	± (0.015 x TD) %
266HDH with seals mnemonic M1.5, M1.5B	G, H, M,	from 1:1 to 5:1	± 0.075 %
	P, Q	from 5:1 to 30:1	± (0.015 x TD) %
266HDH with seals mnemonic M1.5A	G, H, M,	from 1:1 to 5:1	± 0.075 %
	P, Q, S	from 5:1 to 30:1	± (0.015 x TD) %
266HDH with seals different from above	G, H, M,	from 1:1 to 10:1	± 0.10 %
	P, Q, S	from 10:0 to 60:1	± (0.01 x TD) %
266NDH with seals mnemonic P3, F3, E3, S3, K1.5, F2	G, H, M,	from 1:1 to 10:1	± 0.10 %
	P, Q, S	from 10:1 to 60:1	± (0.01 x TD) %
266NDH with seals mnemonic M1	H and M	from 1:1 to 5:1	± 0.20 %
	H and M	from 5:1 to 30:1	± (0.04 x TD) %
	P, Q, S	from 1:1 to 5:1	± 0.10 %
	P, Q, S	from 5:1 to 30:1	± (0.02 x TD) %
266NDH with seals mnemonic M1.5, M1.5B	G, H, M,	from 1:1 to 5:1	± 0.10 %
	P, Q	from 5:1 to 30:1	± (0.02 x TD) %
266NDH with seals mnemonic M1.5A	G, H, M,	from 1:1 to 5:1	± 0.10 %
	P, Q, S	from 5:1 to 30:1	± (0.02 x TD) %
266NDH with seals different from above	G, H, M,	from 1:1 to 10:1	± 0.15 %
	P, Q, S	from 10:1 to 60:1	± (0.015 x TD) %

### Ambient temperature

Transmitter effect per 20K change between the limits of -40 °C to +85 °C (per 36 °F change between the limits of -40 to +185 °F):

Model	Sensor	for TD up to	
266DDH	E to S	10 : 1	± (0.04 % URL + 0.065 % span)
266HDH	G to S	10 : 1	± (0.04 % URL + 0.065 % span)
266NDH	G to S	10 : 1	± (0.08 % URL + 0.13 % span)

REFER TO S26 SEALS DATA SHEET FOR TEMPERATURE ADDITIONAL EFFECTS OF DIRECT MOUNT SEAL AND REMOTE SEAL (if selected on negative side).

For paper and in-line seal, available only as direct mount, refer respectively to the following tables of temperature effects per 20 K (36 °F) changes, detailed separately for

- the seal (one element), as process temperature error
- the system (transmitter sensor when combined with a seal of specific size/type) referred to silicone oil (DC 200) filling and AISI 316 L ss diaphragm materials. .

S26K paper seal size - Mnemonic	Sensor URL	Seal error (process)	Direct mount error (ambient)
1 in. - Y1	≥ 160 kPa, 642 inH2O	1.2 kPa, 4.8 inH2O	0.64 kPa, 2.56 inH2O
1 in. - M1	≥ 160 kPa, 642 inH2O	0.6 kPa, 2.4 inH2O	0.64 kPa, 2.56 inH2O
1 1/2 in. M1.5 - M1.5A - M1.5B	≥ 65 kPa, 260 inH2O	0.2 kPa, 0.8 inH2O	0.48 kPa, 1.92 inH2O

S26J in-line seal size - Mnemonic	Sensor URL	Seal error (process)	Direct mount error (ambient)
1 in. - J1	≥ 600 kPa, 87 psi	2.2 kPa, 8.8 inH2O	0.94 kPa, 3.76 inH2O
1 1/2 in. - J1.5	≥ 600 kPa, 87 psi	1.4 kPa, 5.6 inH2O	0.36 kPa, 1.44 inH2O
2 in. - J2	≥ 600 kPa, 87 psi	4.6 kPa, 18.4 inH2O	0.94 kPa, 3.76 inH2O
4 in. - J3	≥ 600 kPa, 87 psi	3.0 kPa, 12 inH2O	0.42 kPa, 1.68 inH2O

# Model 266DDH Differential

## Model 266HDH Gauge

## Model 266NDH Absolute

### Static pressure

(zero errors can be calibrated out at line pressure)

per 2 MPa, 20 bar or 290 psi

Model 266DDH with direct mount seal only

– zero error:  $\pm 0.15\%$  of URL

– span error:  $\pm 0.15\%$  of reading

Model 266DDH with direct mount plus remote seal

– zero error:  $\pm 0.20\%$  of URL

– span error:  $\pm 0.20\%$  of reading

### Supply voltage

Within voltage/load specified limits the total effect is less than 0.005 % of URL per volt.

### Load

Within load/voltage specified limits the total effect is negligible.

### Electromagnetic field

Meets all the requirements of EN 61326 and NAMUR NE 21 for surge immunity level.

### Common mode interference

No effect from 100Vrms @ 50Hz, or 50 V DC

## Physical Specification

(Refer to ordering information sheets for variant availability related to specific model or versions code)

### Materials (model 266DDH only)

#### Low pressure side process isolating diaphragms (\*)

AISI 316 L ss; Hastelloy C-276™; Monel 400™; Tantalum.

A remote seal can be selected with required diaphragm material (refer to high pressure side).

### Low pressure side process flanges, adapters, plugs and drain/vent valves (\*)

AISI 316 L ss; Hastelloy C-276™; Monel 400™.

### Bolts and nuts

AISI 316 ss bolts Class A4–80 and nuts Class A4-70 per UNI 7323 (ISO 3506);

AISI 316 ss bolts and nuts Class A4–50 per UNI 7323 (ISO 3506), in compliance with NACE MR0175 Class II.

### Gaskets (\*)

Viton™; PTFE.

### Materials (models 266DDH / 266HDH / 266NDH)

#### High pressure side process diaphragm (direct mount seal) (\*)

AISI 316 L ss; Hastelloy C-276™; Hastelloy C-2000™; Inconel 625; Tantalum; AISI 316 L ss or Hastelloy C-276™ with anti-stick coating; AISI 316 L ss with anti-corrosion coating; AISI 316 L ss gold plated; Superduplex ss (UNS S32750 to ASTM SA479);

Diaflex (AISI with anti-abrasion treatment).

### Extension material

AISI 316 L ss (also for Diaflex and gold plated diaphragms); Hastelloy C-276™; AISI 316 L ss or Hastelloy C-276™ with coating same as diaphragm

### High pressure side fill fluid (direct mount seal)

Silicone oil-DC200™; Silicone oil-DC704™; Inert-Galden™; Inert-Halocarbon™ 4.2; Silicone Polymer-Syltherm XLT™; Low viscosity silicone oil-Baysilone M5; Glycerin Water; Vegetable oil-Neobee M-20™; Mineral oil-Essomarcot 122™.

### Sensor fill fluid

Silicone oil; Inert fill (Halocarbon™ 4.2 or Galden™).

### Sensor housing

AISI 316 L ss.

### Electronic housing and covers

Aluminium alloy (copper content  $\leq 0.3\%$ ) with baked epoxy finish (colour RAL9002);

AISI 316 L ss.

### Covers O-ring

Buna N.

### Local adjustments (zero, span and write protect)

For Standard HART version:

- Internal for zero and span (on communication board)
- External non-intrusive for zero, span and write protect in glass filled polyphenylene oxide, removable (code R1).

For all other versions:

- External non-intrusive for zero, span and write protect in glass filled polyphenylene oxide, removable.

### Plates

Transmitter nameplate: AISI 316 ss screwed to the electronics housing.

Certification plate and optional tag/calibration plate : self-adhesive attached to the electronics housing or AISI 316 ss fastened to the electronics housing with rivets or screws.

Optional wired-on customer data plate: AISI 316 ss.

Laser printing on metal or thermal printing on self-adhesive.

### Calibration

Standard: at maximum span, zero based range, ambient temperature and pressure;

Optional: at specified range and ambient conditions.

### Optional extras

#### Display (code Lx)

4-position (at 90°) user orientable.

#### Optional plates (code Ix)

Code I2: plate for tag (up to 31 characters) and calibration details (up to 31 characters: lower and upper range values and engineering unit) fixed onto transmitter housing.

Code I1: AISI 316 ss wired-on plate with laser printed customized data (4 lines of 32 characters with 4 mm/0.16 in. height).

#### Surge protection (code S2)

#### Test Certificates (test, design, calibration, material traceability) (codes Cx and Hx)

#### Tag and manual language (codes Tx and Mx)

#### Communication connectors (code Ux)

# Model 266DDH Differential

## Model 266HDH Gauge

## Model 266NDH Absolute

### Process connections

on conventional flanges : 1/4 – 18 NPT on process axis;  
on adapters : 1/2 – 14 NPT on process axis;  
fixing threads: 7/16 – 20 UNF at 41.3mm centre distance;  
on seal side (refer to drawings for details):

### Flush diaphragm flanged seal (\*\*):

2 in. or 3 in. ASME 150 to 1500 RF; 4 in. ASME 150-300 RF;  
1-1/2 in., 2 in. or 3 in. ASME 150 to 1500 RJ;  
DN 50 or DN 80 PN 16–40, PN 63–100; DN 100 PN 16–40;  
A50 or A80 Class 10K, 20K, 40K; A100 Class 10K, 20K.

### Extended diaphragm flanged seal (\*\*):

2 in., 3 in. or 4 in. ASME 150 - 300 RF;  
DN 50, DN 80 or DN 100 PN 16 – 40.

### Off-line flanged connection seal (\*\*\*)

1/2 in., 1 in. or 1-1/2 in. hole connection, ASME CL150-300;  
DN 25 or DN 40, EN PN 16-40.

### Off-line threaded connection seal

1/4 in., 1/2 in., 3/4 in., 1 in. or 1-1/2 in. NPT thread.

### Food/Sanitary seal

Triclamp: 2 in., 3 in. or 4 in.;  
Union nut: F50 or F80 to DIN 11851;  
Cherry Burrell: 2 in., 3 in. or 4 in.;  
Sanitary: 4in flush diaphragm or 4in extended (2in, 4in or 6in)  
diaphragm  
Beverage bolted: 1/2 in. flush diaphragm with integral 6 holes  
flanged connection

### Pulp & paper seal

1 in. sealing with gasket for weld spud with fixing by screw  
1-1/2 in. sealing with gasket for weld spud with fixing by screws  
1-1/2 in. sealing with gasket for weld spud with M44 x 1.25  
threaded connection  
1 in. or 1-1/2 in. with NPT male threaded connection  
G 1 in. A or G 1-1/2 in. A male threaded connection  
1 in. for ball valve connection

### Saddle & Socket seal

2 in., 2-1/2 in., 3 in., 4 in., 5 in. or 6 in. saddle connection  
1/2 in., 3/4 in., 1 in., 1-1/2 in. or 2 in. socket connection

### In-line seal

DN25 / 1 in., DN40 / 1-1/2 in., DN 50 / 2 in., DN80 / 3 in.

### Wafer seal (remote only)

1-1/2 in., 2 in. or 3 in. to ASME; DN 40, DN 50 or DN 80 to EN.

### Gasket seat finish (as applicable to specific seal types)

smooth (ASME, EN or JIS): 0.8µm (Ra)  
serrated (ASME or JIS): 3.2 to 6.3µm (Ra)  
serrated (EN 1092-1 Type B1; up to PN 40): 3.2 to 12.5µm (Ra)  
serrated (EN 1092-1 Type D and E): according to standard.

### Electrical connections

Two  $\frac{1}{2}$  – 14 NPT or M20x1.5 threaded conduit entries, direct on housing.

Special communication connector (on request)

- HART: straight or angle Harting Han 8D connector and one plug.
- FOUNDATION Fieldbus, PROFIBUS PA: M12x1 or 7/8 in.

### Terminal block

HART version: three terminals for signal/external meter wiring up to 2.5 mm<sup>2</sup> (14 AWG), also connection points for test and communication purposes.

Fieldbus versions: two terminals for signal wiring (bus connection) up to 2.5 mm<sup>2</sup> (14 AWG)

### Grounding

Internal and external 6 mm<sup>2</sup> (10 AWG) ground termination points are provided.

### Mounting position

Transmitter can be mounted in any position.

Electronics housing may be rotated to any position. A positive stop prevents over travel.

### Mass (without options)

7 kg to 50 kg approx (15 to 110 lb) according to specified seal(s) options; add 1.5 kg (3.4 lb) for AISI housing.  
Add 650 g (1.5 lb) for packing.

### Packing

Carton

(\*) Wetted parts of the transmitter.

(\*\*) Bolts and nuts, gasket and mating flange supplied by customer.

(\*\*\*) Gasket to process supplied by customer.



# Model 266DDH Differential

## Model 266HDH Gauge

## Model 266NDH Absolute

### Configuration

#### Transmitter with HART communication and 4 to 20 mA Standard configuration

Transmitters are factory calibrated to customer's specified range. Calibrated range and tag number are stamped on the tag plate. If a calibration range and tag data are not specified, the transmitter will be supplied with the plate left blank and configured as follows:

Engineering Unit	kPa
4 mA	Zero
20 mA	Upper Range Limit (URL)
Output	Linear
Damping	1 s
Transmitter failure mode	Upscale
Software tag (8 characters max)	Blank
Optional LCD display	PV in kPa; output in mA and in percentage on bargraph

Any or all the above configurable parameters, including Lower range-value and Upper range-value which must be the same unit of measure, can be easily changed using the HART hand-held communicator or by a PC running the configuration software with DTM for 266 models. The transmitter database is customized with specified flange type and material, O-ring and drain/vent materials and meter code option.

#### Custom configuration (option N6)

The following data may be specified in addition to the standard configuration parameters:

Descriptor	16 alphanumeric characters
Message	32 alphanumeric characters
Date	Day, month, year

For HART protocol available engineering units of pressure measure are :

Pa, kPa, MPa  
 inH<sub>2</sub>O@4 °C, mmH<sub>2</sub>O@4 °C, psi  
 inH<sub>2</sub>O@20 °C, ftH<sub>2</sub>O@20 °C, mmH<sub>2</sub>O@20 °C  
 inHg, mmHg, Torr  
 g/cm<sup>2</sup>, kg/cm<sup>2</sup>, atm  
 mbar, bar

These and others are available for PROFIBUS and FOUNDATION Fieldbus.

#### Transmitter with PROFIBUS PA communication Standard configuration

Transmitters are factory calibrated to customer's specified range. Calibrated range and tag number are stamped on the tag plate. If a calibration range and tag data are not specified, the transmitter will be supplied with the plate left blank and configured as follows:

Measure Profile	Pressure
Engineering Unit	kPa
Output scale 0 %	Lower Range Limit (LRL)
Output scale 100 %	Upper Range Limit (URL)
Output	Linear
Hi-Hi Limit	Upper Range Limit (URL)
Hi Limit	Upper Range Limit (URL)
Low Limit	Lower Range Limit (LRL)
Low-Low Limit	Lower Range Limit (LRL)
Limits hysteresis	0.5 % of output scale
PV filter	0 s
Address (set by local key)	126
Tag	32 alphanumeric characters
Optional LCD display	PV in kPa; output in percentage on bargraph

Any or all the above configurable parameters, including the range values which must be the same unit of measure, can be easily changed by a PC running the configuration software with DTM for 266 models. The transmitter database is customized with specified flange type and material, O-ring and drain/vent materials and meter code option.

#### Custom configuration (option N6)

The following data may be specified in addition to the standard configuration parameters:

Descriptor	32 alphanumeric characters
Message	32 alphanumeric characters
Date	Day, month, year

## Transmitter with FOUNDATION Fieldbus communication

### Standard configuration

Transmitters are factory calibrated to customer's specified range. Calibrated range and tag number are stamped on the tag plate. If a calibration range and tag data are not specified, the transmitter will be supplied with the plate left blank and the analog input function block FB1 is configured as follows:

Measure Profile	Pressure
Engineering Unit	kPa
Output scale 0 %	Lower Range Limit (LRL)
Output scale 100 %	Upper Range Limit (URL)
Output	Linear
Hi-Hi Limit	Upper Range Limit (URL)
Hi Limit :	Upper Range Limit (URL)
Low Limit	Lower Range Limit (LRL)
Low-Low Limit	Lower Range Limit (LRL)
Limits hysteresis	0.5 % of output scale
PV filter time	0 s
Tag	32 alphanumeric characters
Optional LCD display	PV in kPa; output in percentage on bargraph

The analog input function block FB2 and FB3 are configured respectively for the sensor temperature measured in °C and for the static pressure measured in MPa.

Any or all the above configurable parameters, including the range values, can be changed using any host compliant to FOUNDATION fieldbus. The transmitter database is customized with specified flange type and material, O-ring and drain/vent materials and meter code option.

### Custom configuration (option N6)

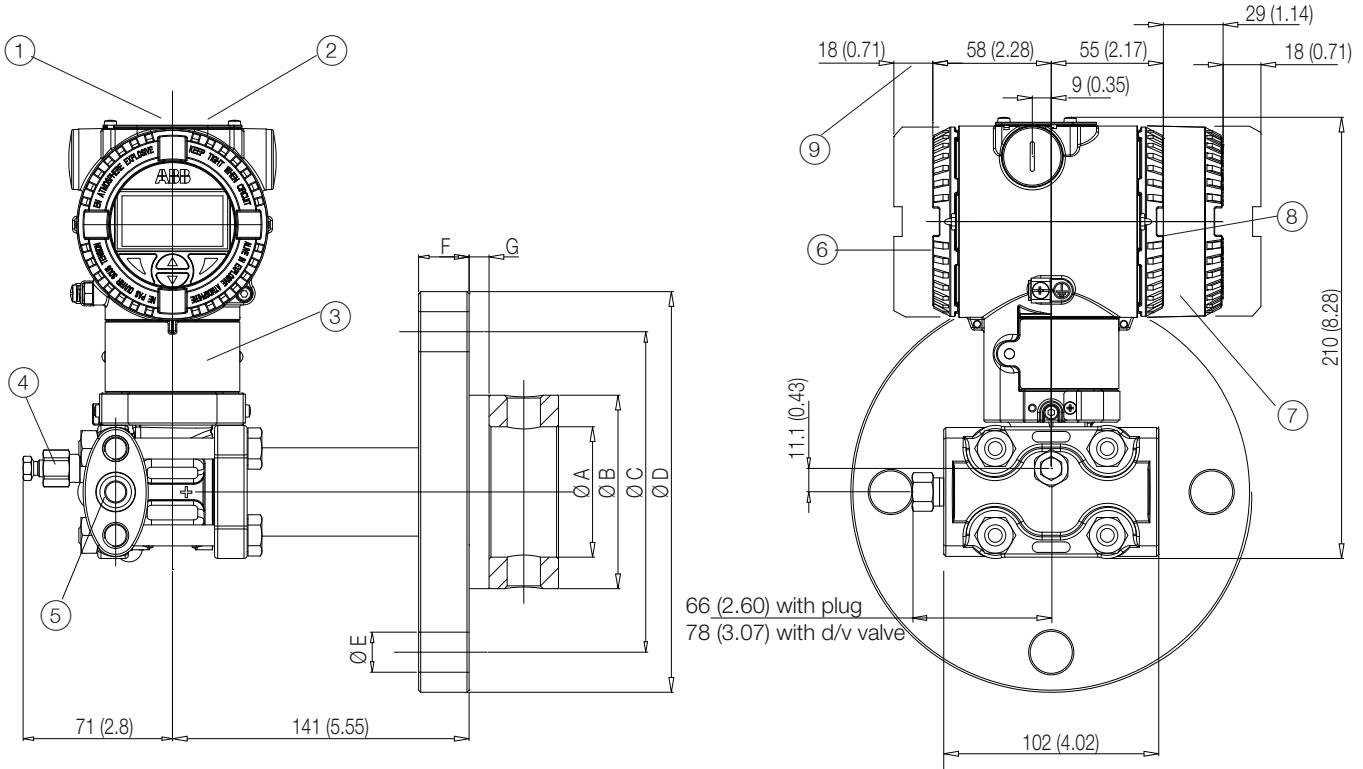
The following data may be specified in addition to the standard configuration parameters:

Descriptor	32 alphanumeric characters
Message	32 alphanumeric characters
Date	Day, month, year

Model 266DDH Differential  
 Model 266HDH Gauge  
 Model 266NDH Absolute

**MOUNTING DIMENSIONS** (not for construction unless certified) – dimensions in mm (in.)

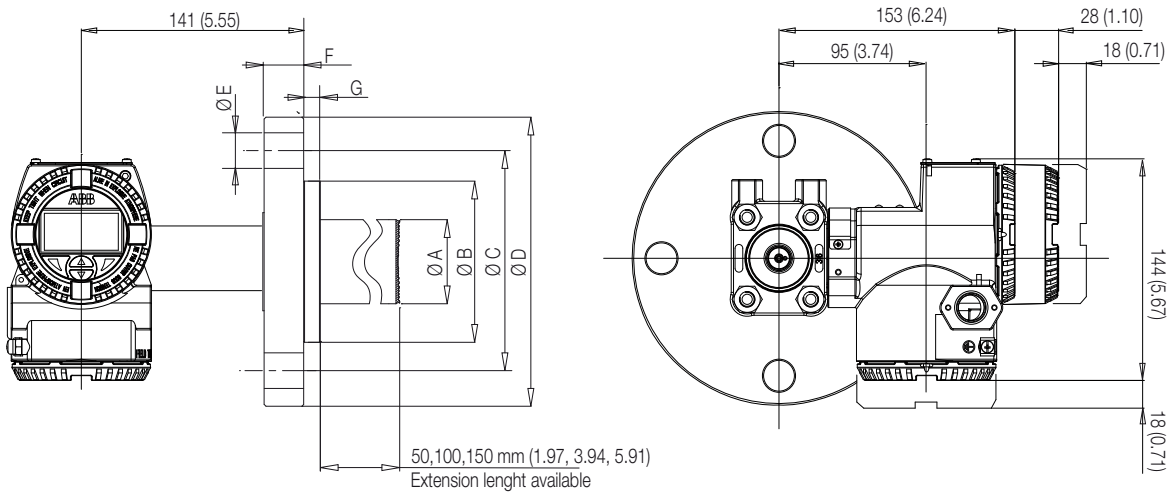
266DDH with barrel housing and direct mount seal S26RA/S26RE/S26RJ rotating flange Raised Face flush diaphragm



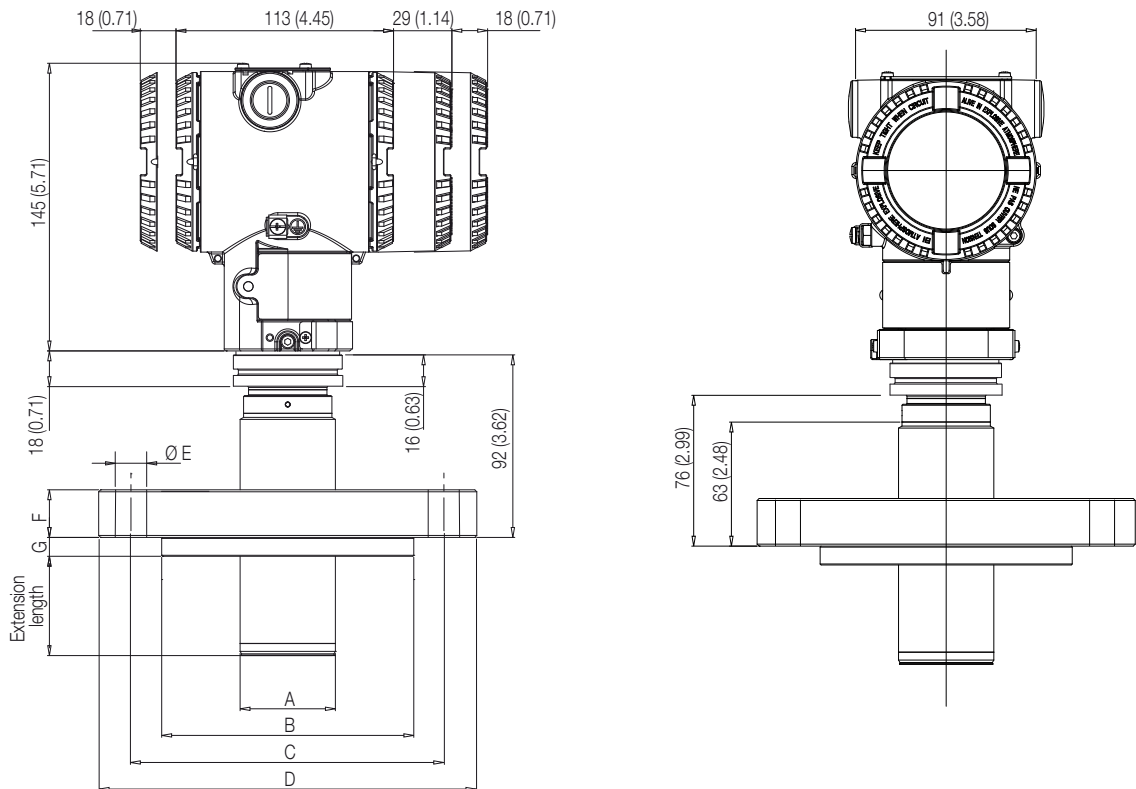
NOTE: For 266DDH, low pressure side opposite to direct mount seal can be a conventional flange or suitable for capillary to remote seal. Conventional process flange connection (1/4 – 18 NPT direct or 1/2 – 14 NPT through adapter), gasket groove and gaskets are in accordance with IEC 61518. Bolting threads for fixing adapter or other devices (i.e. manifold etc.) on process flange is  $7/_{16}$  – 20 UNF.

- ① Adjustments | ② Identification plate | ③ Certification plate | ④ Drain/vent valve | ⑤ Process connection | ⑥ Terminal side |
- ⑦ Integral display housing | ⑧ Electronic side | ⑨ Space for cover removal

**266DDH with DIN housing and direct mount seal S26RA/S26RE rotating flange Raised Face extended diaphragm**



**266HDH/266NDH with barrel housing and direct mount seal S26RA/S26RE flanged Raised Face extended diaphragm**



# Model 266DDH Differential

## Model 266HDH Gauge

## Model 266NDH Absolute

Size/Rating	Dimensions mm (in) for S26RA										
	A (dia)				B (dia)	C (dia)	D (dia)	E (dia)	F (Note 1)	G	N° of holes
	extended diaphragm	flush diaphragm		flushing ring internal dia							
2 in. ASME CL 150	48 (1.9)	60 (2.36)	58 (2.28)	62 (2.44)	92 (3.62)	120.65 (4.75)	152.4 (6)	19.1 (0.79)	17.5 (0.6)	9.5 (0.37)	4
2 in. ASME CL 300	48 (1.9)	60 (2.36)	58 (2.28)	62 (2.44)	92 (3.62)	127 (5)	165.1 (6.5)	19.1 (0.79)	20.8 (0.8)	9.5 (0.37)	8
2 in. ASME CL 600	NA	60 (2.36)	58 (2.28)	62 (2.44)	92 (3.62)	127 (5)	165.1 (6.5)	19.1 (0.79)	25.4 (1)	9.5 (0.37)	8
2 in. ASME CL 900	NA	60 (2.36)	58 (2.28)	62 (2.44)	92 (3.62)	165 (6.5)	215.9 (8.5)	26 (1.02)	38.1 (1.5)	9.5 (0.37)	8
2 in. ASME CL 1500	NA	60 (2.36)	58 (2.28)	62 (2.44)	92 (3.62)	165 (6.5)	215.9 (8.5)	26 (1.02)	38.1 (1.5)	9.5 (0.37)	8
3 in. ASME CL 150	72 (2.83)	89 (3.5)	75 (2.95)	92 (3.62)	127 (5)	152.4 (6)	190.5 (7.5)	19.1 (0.79)	22.4 (0.88)	9.5 (0.37)	4
3 in. ASME CL 300	72 (2.83)	89 (3.5)	75 (2.95)	92 (3.62)	127 (5)	168.15 (6.62)	209.6 (8.25)	22.4 (0.88)	26.9 (1.1)	9.5 (0.37)	8
3 in. ASME CL 600	NA	89 (3.5)	75 (2.95)	92 (3.62)	127 (5)	168.15 (6.62)	209.6 (8.25)	22.4 (0.88)	31.8 (1.3)	9.5 (0.37)	8
3 in. ASME CL 900	NA	89 (3.5)	75 (2.95)	92 (3.62)	127 (5)	190.5 (7.5)	241 (9.48)	26 (1.02)	38.1 (1.5)	9.5 (0.37)	8
3 in. ASME CL1500	NA	89 (3.5)	75 (2.95)	92 (3.62)	127 (5)	203.2 (8)	266.7 (10.5)	31.75 (1.25)	47.7 (1.88)	9.5 (0.37)	8
4 in. ASME CL 150	94 (3.7)	89 (3.5)	75 (2.95)	92 (3.62)	157.2 (6.2)	190.5 (7.5)	228.6 (9)	19.1 (0.79)	22.4 (0.88)	9.5 (0.37)	8
4 in. ASME CL 300	94 (3.7)	89 (3.5)	75 (2.95)	92 (3.62)	157.2 (6.2)	200.2 (7.88)	254 (10)	22 (0.86)	30.2 (1.19)	9.5 (0.37)	8

Size/Rating	Dimensions mm (in) for S26RE										
	A (dia)				B (dia)	C (dia)	D (dia)	E (dia)	F (Note 2)	G	N° of holes
	extended diaphragm	flush diaphragm		flushing ring internal dia							
DN 50 EN PN 16	48 (1.9)	60 (2.36)	58 (2.28)	62 (2.44)	102 (4.02)	125 (4.92)	165 (6.5)	18 (0.71)	15 (0.58)	9.5 (0.37)	4
DN 50 EN PN 40	48 (1.9)	60 (2.36)	58 (2.28)	62 (2.44)	102 (4.02)	125 (4.92)	165 (6.5)	18 (0.71)	18 (0.67)	9.5 (0.37)	4
DN 50 EN PN 63	NA	60 (2.36)	58 (2.28)	62 (2.44)	102 (4.02)	135 (5.31)	180 (7.08)	22 (0.86)	23 (0.9)	9.5 (0.37)	4
DN 50 EN PN 100	NA	60 (2.36)	58 (2.28)	62 (2.44)	102 (4.02)	145 (5.71)	195 (7.67)	26 (1.02)	27 (1.06)	9.5 (0.37)	4
DN 80 EN PN 16	72 (2.83)	89 (3.5)	75 (2.95)	92 (3.62)	138 (5.43)	160 (6.3)	200 (7.87)	18 (0.71)	17 (0.67)	9.5 (0.37)	8
DN 80 EN PN 40	72 (2.83)	89 (3.5)	75 (2.95)	92 (3.62)	138 (5.43)	160 (6.3)	200 (7.87)	18 (0.71)	21 (0.83)	9.5 (0.37)	8
DN 80 EN PN 63	NA	89 (3.5)	75 (2.95)	92 (3.62)	138 (5.43)	170 (6.7)	215 (8.46)	22 (0.86)	25 (0.98)	9.5 (0.37)	8
DN 80 EN PN 100	NA	89 (3.5)	75 (2.95)	92 (3.62)	138 (5.43)	180 (7.08)	230 (9.05)	26 (1.02)	33 (1.3)	9.5 (0.37)	8
DN 100 EN PN 16	94 (3.7)	89 (3.5)	75 (2.95)	92 (3.62)	158 (6.22)	180 (7.08)	220 (8.66)	18 (0.71)	17 (0.67)	9.5 (0.37)	8
DN 100 EN PN 40	94 (3.7)	89 (3.5)	75 (2.95)	92 (3.62)	162 (6.38)	190 (7.48)	235 (9.25)	22 (0.86)	21 (0.83)	9.5 (0.37)	8

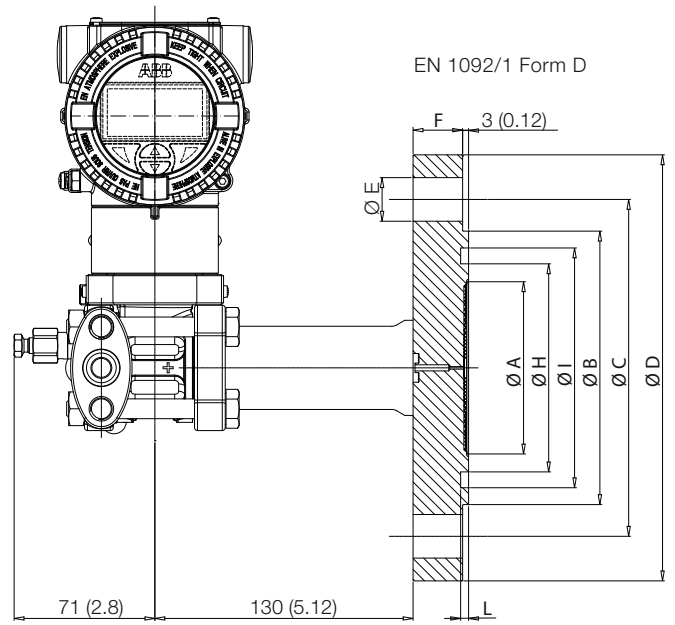
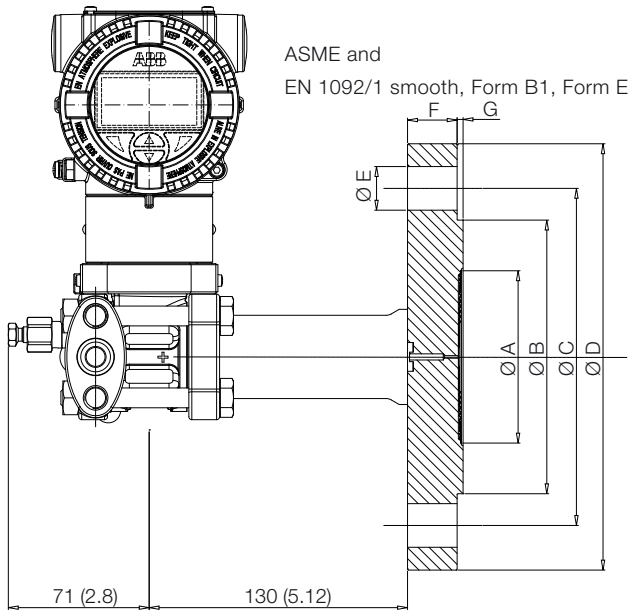
Size/Rating	Dimensions mm (in) for S26RJ								
	A (dia) flush diaphragm		B (dia)	C (dia)	D (dia)	E (dia)	F (Note 3)	G	N° of holes
A50 Class 10K	60 (2.36)		96 (3.78)	120 (4.72)	155 (6.1)	19 (0.75)	16 (0.63)	9.5 (0.37)	4
A50 Class 20K	60 (2.36)		96 (3.78)	120 (4.72)	155 (6.1)	19 (0.75)	18 (0.71)	9.5 (0.37)	8
A50 Class 40K	60 (2.36)		104.3 (4.11)	130 (5.12)	165 (6.5)	19 (0.75)	26 (1.02)	9.5 (0.37)	8
A80 Class 10K	89 (3.5)		126 (4.96)	150 (5.91)	185 (7.28)	19 (0.75)	18 (0.71)	9.5 (0.37)	8
A80 Class 20K	89 (3.5)		132 (5.2)	160 (6.3)	200 (7.87)	23 (0.91)	22 (0.87)	9.5 (0.37)	8
A80 Class 40K	89 (3.5)		139.4 (5.49)	170 (6.69)	210 (8.27)	23 (0.91)	32 (1.26)	9.5 (0.37)	8
A100 Class 10K	89 (3.5)		151 (5.94)	175 (6.89)	210 (8.27)	19 (0.75)	18 (0.71)	9.5 (0.37)	8
A100 Class 20K	89 (3.5)		160 (6.3)	185 (7.28)	225 (8.86)	23 (0.91)	24 (0.94)	9.5 (0.37)	8

Note 1 - Flange thickness tolerance is +3.0 / -0.0 mm (+0.12 / 0.0 in.).

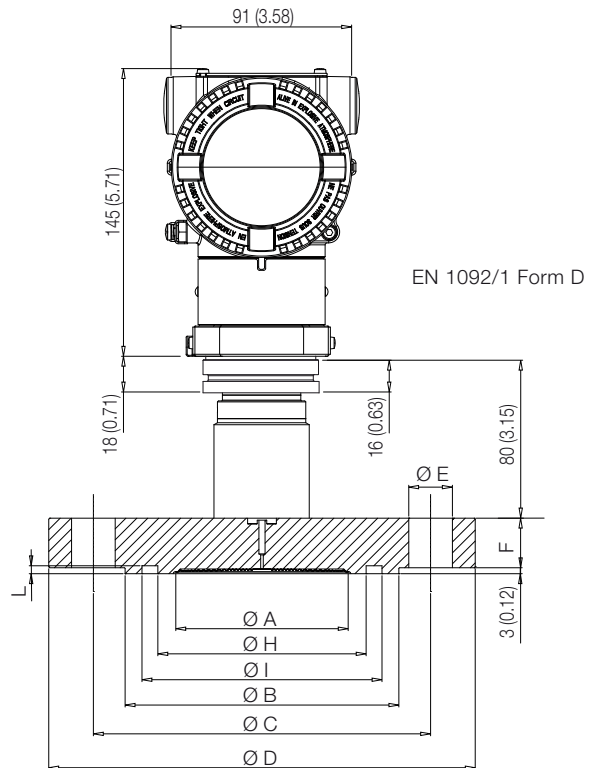
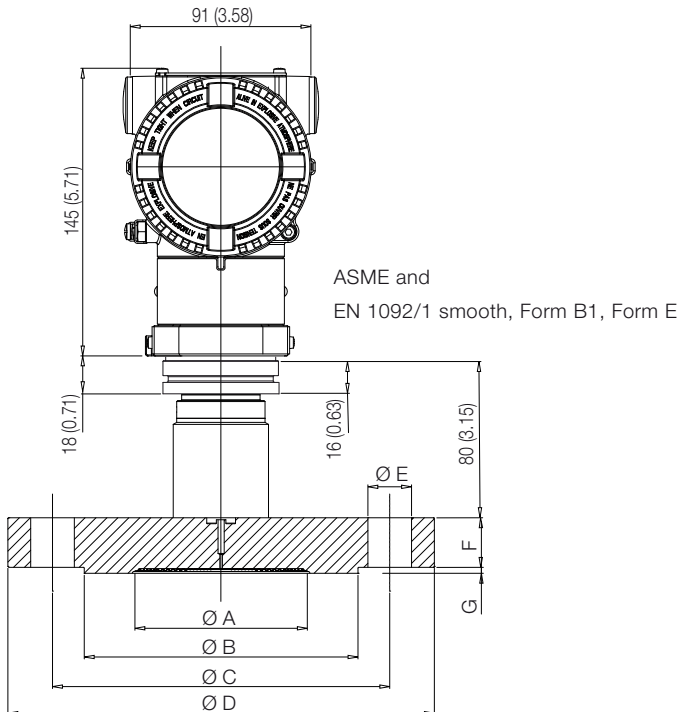
Note 2 - Flange thickness tolerance is +1.0 / -1.3 mm (+0.04 / 0.05 in.) up to 18 mm or ±1.5 mm (±0.06 in.) from 18 to 50 mm from 18 to 50 mm.

Note 3 - Flange thickness tolerance is +1.5 / -0.0 mm (+0.06 / 0.0 in.) up to Class 20K or +2.0 / -0.0 mm (+0.08 / 0.0 in.) from Class 20K to Class 50K.

**266DDH with barrel housing and direct mount seal S26FA/S26FE fixed flange Raised Face flush diaphragm**



**266HDH/266NDH with barrel housing and direct mount seal S26FA/S26FE flanged Raised Face flush diaphragm**



# Model 266DDH Differential

## Model 266HDH Gauge

## Model 266NDH Absolute

Size/Rating	Dimensions mm (in) for S26FA									
	A (dia)			B (dia)	C (dia)	D (dia)	E (dia)	F (Note 1)	G	N° of holes
	std. thickness diaphragm	low thickness diaphragm	flushing ring internal dia							
2 in. ASME CL 150	60 (2.36)	58 (2.28)	62 (2.44)	92 (3.62)	120.65 (4.75)	152.4 (6)	19.1 (0.79)	17.5 (0.6)	2 (0.08)	4
2 in. ASME CL 300	60 (2.36)	58 (2.28)	62 (2.44)	92 (3.62)	127 (5)	165.1 (6.5)	19.1 (0.79)	20.8 (0.8)	2 (0.08)	8
2 in. ASME CL 600	60 (2.36)	58 (2.28)	62 (2.44)	92 (3.62)	127 (5)	165.1 (6.5)	19.1 (0.79)	25.4 (1)	7 (0.27)	8
3 in. ASME CL 150	89 (3.5)	75 (2.95)	92 (3.62)	127 (5)	152.4 (6)	190.5 (7.5)	19.1 (0.79)	22.4 (0.88)	2 (0.08)	4
3 in. ASME CL 300	89 (3.5)	75 (2.95)	92 (3.62)	127 (5)	168.15 (6.62)	209.6 (8.25)	22.4 (0.86)	26.9 (1.1)	2 (0.08)	8
3 in. ASME CL 600	89 (3.5)	75 (2.95)	92 (3.62)	127 (5)	168.15 (6.62)	209.6 (8.25)	22.4 (0.86)	31.8 (1.3)	7 (0.27)	8
4 in. ASME CL 150	89 (3.5)	75 (2.95)	92 (3.62)	157.2 (6.2)	190.5 (7.5)	228.6 (9)	19.1 (0.79)	22.4 (0.88)	2 (0.08)	8

Size/Rating	Dimensions mm (in) for S26FE smooth and Form B1									
	A (dia)			B (dia)	C (dia)	D (dia)	E (dia)	F (Note 2)	G	N° of holes
	std. thickness diaphragm	low thickness diaphragm	flushing ring internal dia							
DN 50 EN PN 16	60 (2.36)	58 (2.28)	62 (2.44)	102 (4.02)	125 (4.92)	165 (6.5)	18 (0.71)	15 (0.58)	3 (0.12)	4
DN 50 EN PN 40	60 (2.36)	58 (2.28)	62 (2.44)	102 (4.02)	125 (4.92)	165 (6.5)	18 (0.71)	18 (0.67)	3 (0.12)	4
DN 50 EN PN 63	60 (2.36)	58 (2.28)	62 (2.44)	102 (4.02)	135 (5.31)	180 (7.08)	22 (0.86)	23 (0.9)	3 (0.12)	4
DN 50 EN PN 100	60 (2.36)	58 (2.28)	62 (2.44)	102 (4.02)	145 (5.71)	195 (7.67)	26 (1.02)	27 (1.06)	3 (0.12)	4
DN 80 EN PN 16	89 (3.5)	75 (2.95)	92 (3.62)	138 (5.43)	160 (6.3)	200 (7.87)	18 (0.71)	17 (0.67)	3 (0.12)	8
DN 80 EN PN 40	89 (3.5)	75 (2.95)	92 (3.62)	138 (5.43)	160 (6.3)	200 (7.87)	18 (0.71)	21 (0.83)	3 (0.12)	8
DN 80 EN PN 63	89 (3.5)	75 (2.95)	92 (3.62)	138 (5.43)	170 (6.7)	215 (8.46)	22 (0.86)	25 (0.98)	3 (0.12)	8
DN 80 EN PN 100	89 (3.5)	75 (2.95)	92 (3.62)	138 (5.43)	180 (7.08)	230 (9.05)	26 (1.02)	33 (1.3)	3 (0.12)	8
DN 100 EN PN 16	89 (3.5)	75 (2.95)	92 (3.62)	158 (6.22)	180 (7.08)	220 (8.66)	18 (0.71)	17 (0.67)	3 (0.12)	8

Note 1 - Flange thickness tolerance is +3.0 / -0.0 mm (+0.12 / 0.0 in.).

Note 2 - Flange thickness tolerance is +1.0 / -1.3 mm (+0.04 / 0.05 in.) up to 18 mm or ±1.5 mm (±0.06 in.) from 18 to 50 mm from 18 to 50 mm.



Size/Rating	Dimensions mm (in) for S26FE Form E								
	diaphragm A (dia)		B (dia)	C (dia)	D (dia)	E (dia)	F (Note 2)	G	N° of holes
	std. thickness	low thickness							
DN 50 EN PN 16	60 (2.36)	58 (2.28)	87 (3.42)	125 (4.92)	165 (6.5)	18 (0.71)	13.5 (0.53)	4.5 (0.18)	4
DN 50 EN PN 40	60 (2.36)	58 (2.28)	87 (3.42)	125 (4.92)	165 (6.5)	18 (0.71)	15.5 (0.61)	4.5 (0.18)	4
DN 50 EN PN 63	60 (2.36)	58 (2.28)	87 (3.42)	135 (5.31)	180 (7.08)	22 (0.86)	21.5 (0.85)	4.5 (0.18)	4
DN 50 EN PN 100	60 (2.36)	58 (2.28)	87 (3.42)	145 (5.71)	195 (7.67)	26 (1.02)	25.5 (1)	4.5 (0.18)	4
DN 80 EN PN 16	89 (3.5)	75 (2.95)	120 (4.72)	160 (6.3)	200 (7.87)	18 (0.71)	15.5 (0.61)	4.5 (0.18)	8
DN 80 EN PN 40	89 (3.5)	75 (2.95)	120 (4.72)	160 (6.3)	200 (7.87)	18 (0.71)	19.5 (0.77)	4.5 (0.18)	8
DN 80 EN PN 63	89 (3.5)	75 (2.95)	120 (4.72)	170 (6.7)	215 (8.46)	22 (0.86)	23.5 (0.92)	4.5 (0.18)	8
DN 80 EN PN 100	89 (3.5)	75 (2.95)	120 (4.72)	180 (7.08)	230 (9.05)	26 (1.02)	31.5 (1.24)	4.5 (0.18)	8
DN 100 EN PN 16	89 (3.5)	75 (2.95)	149 (5.87)	180 (7.08)	220 (8.66)	18 (0.71)	15 (0.59)	5 (0.20)	8

Size/Rating	Dimensions mm (in) for S26FE Form D										
	diaphragm A (dia)		B (dia)	C (dia)	D (dia)	E (dia)	F (Note 2)	H (dia)	I (dia)	L	N° of holes
	std. thickness	low thickness									
DN 50 EN PN 16	60 (2.36)	58 (2.28)	102 (4.02)	125 (4.92)	165 (6.5)	18 (0.71)	15 (0.59)	72 (2.83)	88 (3.46)	4 (0.16)	4
DN 50 EN PN 40	60 (2.36)	58 (2.28)	102 (4.02)	125 (4.92)	165 (6.5)	18 (0.71)	18 (0.71)	72 (2.83)	88 (3.46)	4 (0.16)	4
DN 50 EN PN 63	60 (2.36)	58 (2.28)	102 (4.02)	135 (5.31)	180 (7.08)	22 (0.86)	23 (0.91)	72 (2.83)	88 (3.46)	4 (0.16)	4
DN 50 EN PN 100	60 (2.36)	58 (2.28)	102 (4.02)	145 (5.71)	195 (7.67)	26 (1.02)	27 (1.06)	72 (2.83)	88 (3.46)	4 (0.16)	4
DN 80 EN PN 16	89 (3.5)	75 (2.95)	138 (5.43)	160 (6.3)	200 (7.87)	18 (0.71)	17 (0.67)	105 (4.13)	121 (4.76)	4 (0.16)	8
DN 80 EN PN 40	89 (3.5)	75 (2.95)	138 (5.43)	160 (6.3)	200 (7.87)	18 (0.71)	21 (0.83)	105 (4.13)	121 (4.76)	4 (0.16)	8
DN 80 EN PN 63	89 (3.5)	75 (2.95)	138 (5.43)	170 (6.7)	215 (8.46)	22 (0.86)	25 (0.92)	105 (4.13)	121 (4.76)	4 (0.16)	8
DN 80 EN PN 100	89 (3.5)	75 (2.95)	138 (5.43)	180 (7.08)	230 (9.05)	26 (1.02)	33 (1.3)	105 (4.13)	121 (4.76)	4 (0.16)	8
DN 100 EN PN 16	89 (3.5)	75 (2.95)	158 (6.22)	180 (7.08)	220 (8.66)	18 (0.71)	17 (0.67)	128 (5.04)	149 (5.91)	4.5 (0.18)	8

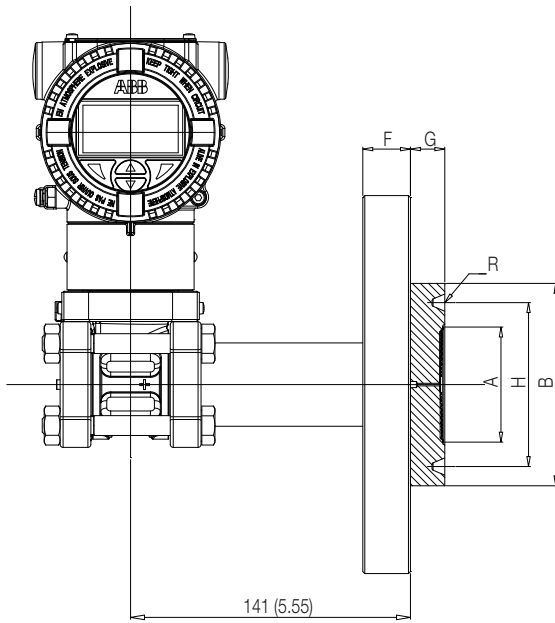
Note 2 - Flange thickness tolerance is +1.0 / -1.3 mm (+0.04 / 0.05 in.) up to 18 mm or ±1.5 mm (±0.06 in.) from 18 to 50 mm from 18 to 50 mm.

# Model 266DDH Differential

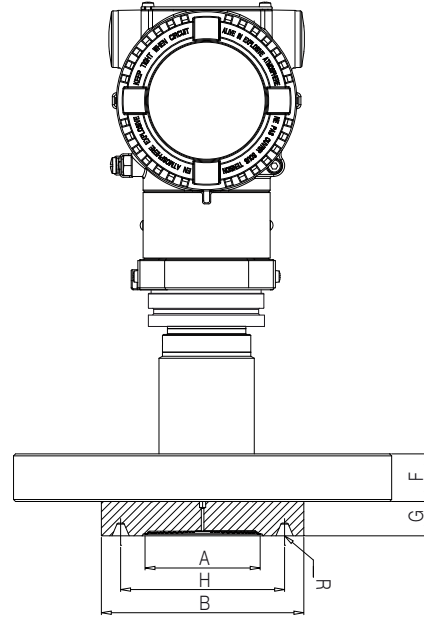
## Model 266HDH Gauge

## Model 266NDH Absolute

266DDH with barrel housing and direct mount  
 seal S26RR flanged Ring Joint flush diaphragm

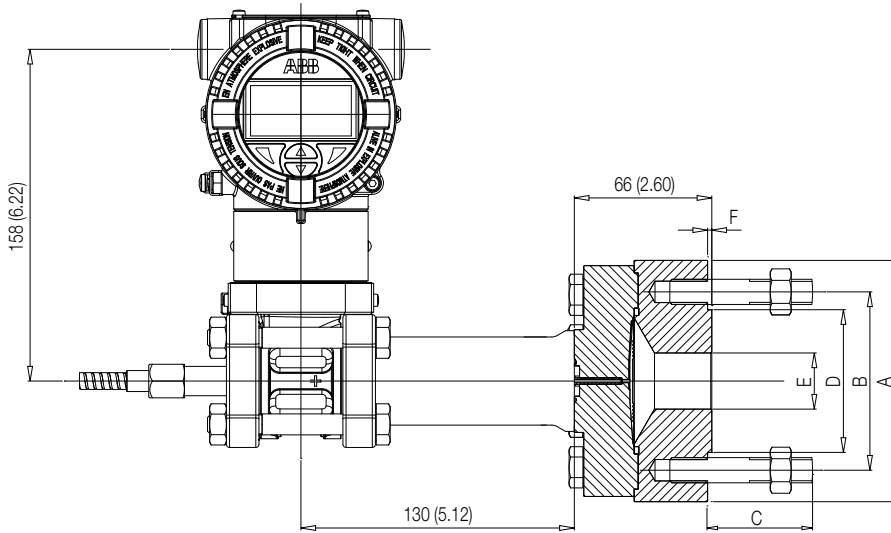


266HDH / 266NDH with barrel housing and direct mount  
 seal S26RR flanged Ring Joint flush diaphragm

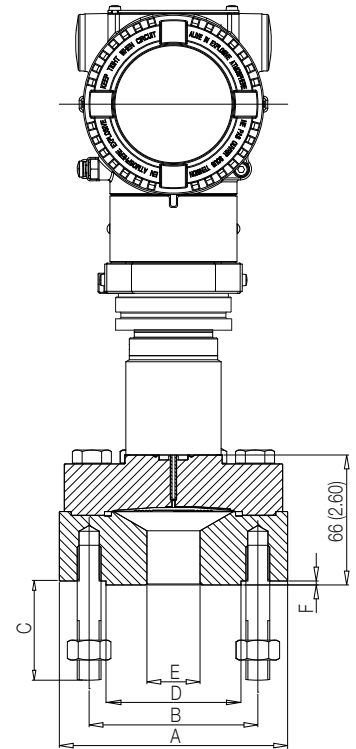


Size/Rating	Dimensions mm (in) for S26RR									N° of holes
	A (dia)	B (dia)	C (dia)	D (dia)	E (dia)	F	G	H (dia)	R	
1-1/2 in. ASME CL 150	48 (1.89)	83 (3.27)	98.6 (3.88)	127 (5)	15.75 (0.62)	17.5 (0.69)	17.3 (0.68)	65.1 (2.56)	R19	4
1-1/2 in. ASME CL 300	48 (1.89)	90 (3.54)	114.3 (4.5)	155.5 (6.12)	22.35 (0.88)	20.6 (0.81)	17.3 (0.68)	68.3 (2.69)	R20	4
1-1/2 in. ASME CL 600	48 (1.89)	90 (3.54)	114.3 (4.5)	155.5 (6.12)	22.35 (0.88)	22.4 (0.88)	17.3 (0.68)	68.3 (2.69)	R20	4
1-1/2 in. ASME CL 900/1500	48 (1.89)	92 (3.62)	124 (4.88)	177.8 (7)	28.45 (1.12)	31.8 (1.25)	20.8 (0.82)	68.3 (2.69)	R20	4
2 in. ASME CL 150	60 (2.36)	102 (4.02)	120.65 (4.75)	152.4 (6)	19.05 (0.75)	19.05 (0.75)	17.3 (0.68)	82.6 (3.25)	R22	4
2 in. ASME CL 300	60 (2.36)	108 (4.25)	127 (5)	165.1 (6.5)	19.05 (0.75)	22.35 (0.88)	17.3 (0.68)	82.6 (3.25)	R23	8
2 in. ASME CL 600	60 (2.36)	108 (4.25)	127 (5)	165.1 (6.5)	19.05 (0.75)	25.4 (1)	17.3 (0.68)	82.6 (3.25)	R23	8
2 in. ASME CL 900/1500	60 (2.36)	124 (4.88)	165 (6.5)	215.9 (8.5)	25.4 (1)	38.1 (1.5)	20.8 (0.82)	95.3 (3.75)	R24	8
3 in. ASME CL 150	89 (3.5)	133 (5.24)	152.4 (6)	190.5 (7.5)	19.05 (0.75)	23.87 (0.94)	17.3 (0.68)	114.3 (4.5)	R29	4
3 in. ASME CL 300	89 (3.5)	146 (5.75)	168.15 (6.62)	209.55 (8.25)	22.35 (0.88)	28.44 (1.12)	17.3 (0.68)	123.8 (4.87)	R31	8
3 in. ASME CL 600	89 (3.5)	146 (5.75)	168.15 (6.62)	209.55 (8.25)	22.35 (0.88)	31.75 (1.25)	17.3 (0.68)	123.8 (4.87)	R31	8
3 in. ASME CL 900	89 (3.5)	155 (6.10)	190.5 (7.5)	241.3 (9.5)	25.4 (1)	38.1 (1.50)	20.8 (0.82)	123.8 (4.87)	R31	8
3 in. ASME CL 1500	89 (3.5)	168 (6.61)	203.2 (8)	266.7 (10.5)	31.75 (1.25)	47.8 (1.88)	20.8 (0.82)	136.5 (5.37)	R35	8

266DDH with barrel housing and direct mount seal S26Mx off-line flanged



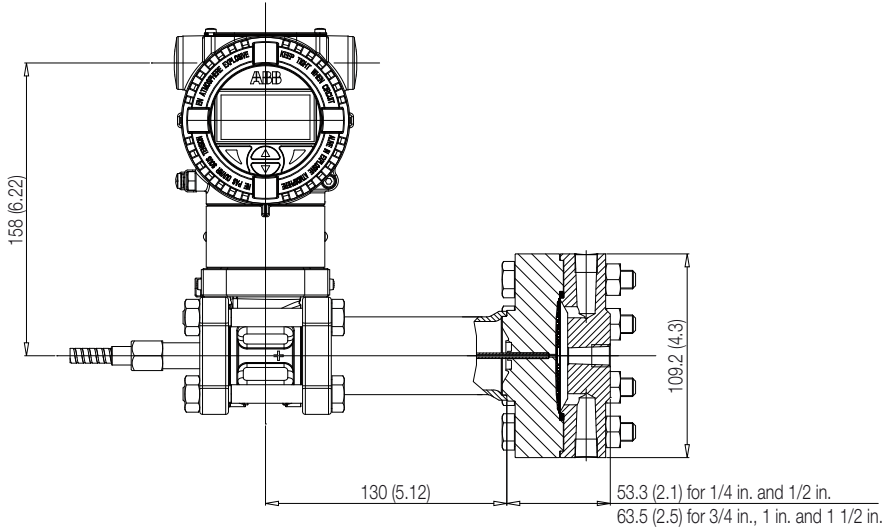
266HDH / 266NDH with barrel housing and direct mount seal S26Mx off-line flanged



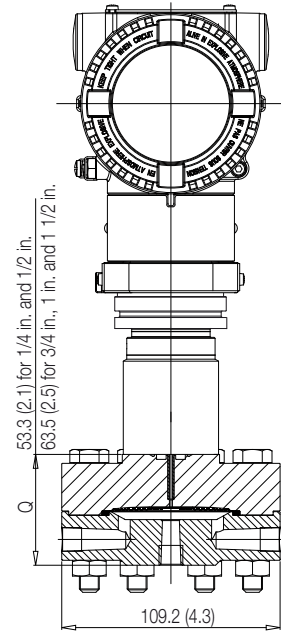
Size/Rating	Dimensions mm (in) for S26MA and S26ME						
	A (dia)	B (dia)	C (4 studs)		D (dia)	E (dia)	F
			Length	Thread			
1/2 in. ASME CL 150	110 (4.33)	60.5 (2.38)	39 (1.53)	1/2in – 13 UNC	35.1 (1.38)	15.8 (0.62)	1.6 (0.06)
1/2 in. ASME CL 300	110 (4.33)	66.5 (2.62)	39 (1.53)	1/2in – 13 UNC	35.1 (1.38)	15.8 (0.62)	1.6 (0.06)
1 in. ASME CL 150	110 (4.33)	79.4 (3.12)	39 (1.53)	1/2in – 13 UNC	50.8 (2)	26.7 (1.05)	1.6 (0.06)
1 in. ASME CL 300	124 (4.88)	88.9 (3.5)	51 (2)	5/8in – 11 UNC	50.8 (2)	26.7 (1.05)	1.6 (0.06)
1 1/2 in. ASME CL 150	127 (5)	98.4 (3.87)	39 (1.53)	1/2in – 13 UNC	73 (2.87)	41 (1.61)	1.6 (0.06)
1 1/2 in. ASME CL 300	155 (6.1)	114.3 (4.5)	57 (2.24)	3/4in – 10 UNC	73 (2.87)	41 (1.61)	1.6 (0.06)
DN 25 PN 16-40	115 (4.52)	85 (3.34)	42 (1.65)	M12	68 (2.67)	28.5 (1.12)	2 (0.08)
DN 40 PN 16-40	150 (5.9)	110 (4.33)	48 (1.89)	M16	88 (3.46)	43.1 (1.69)	3 (0.12)

# Model 266DDH Differential Model 266HDH Gauge Model 266NDH Absolute

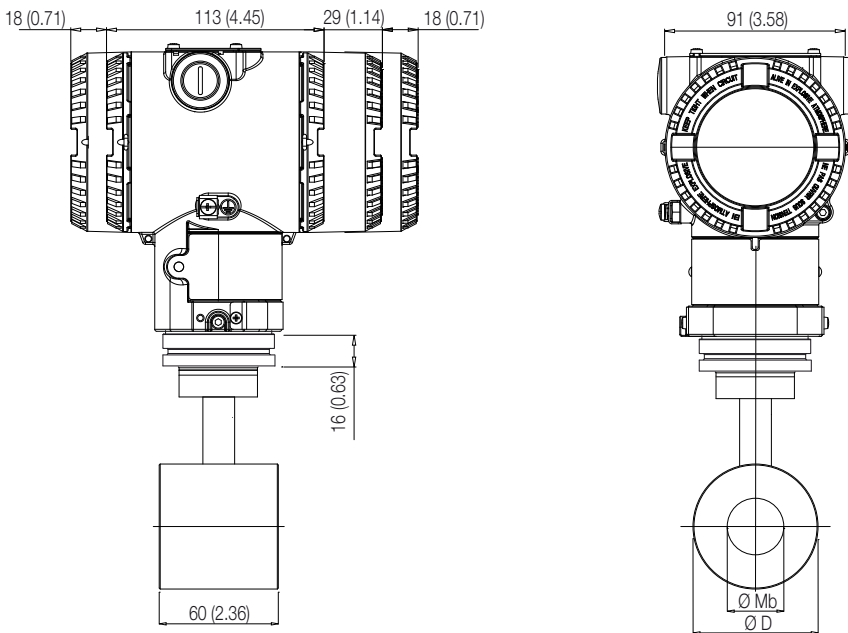
266DDH with barrel housing and direct mount seal S26TT off-line threaded flange



266HDH / 266NDH with barrel housing and direct mount seal S26TT off-line threaded flange

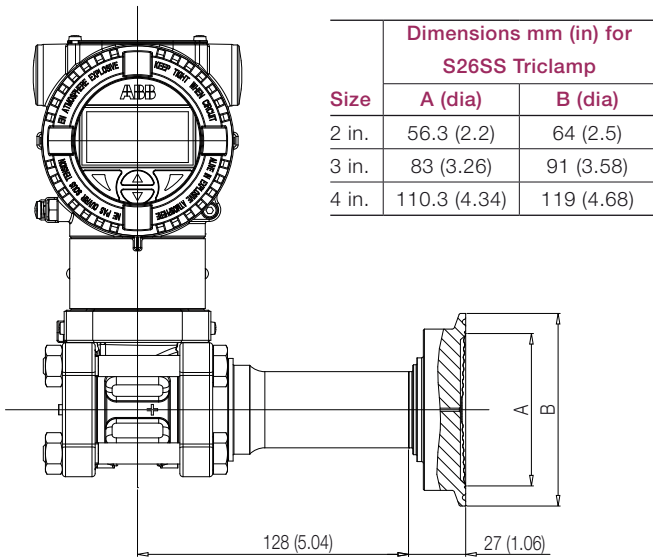


266HDH / 266NDH with barrel housing and direct mount seal S26JN in-line

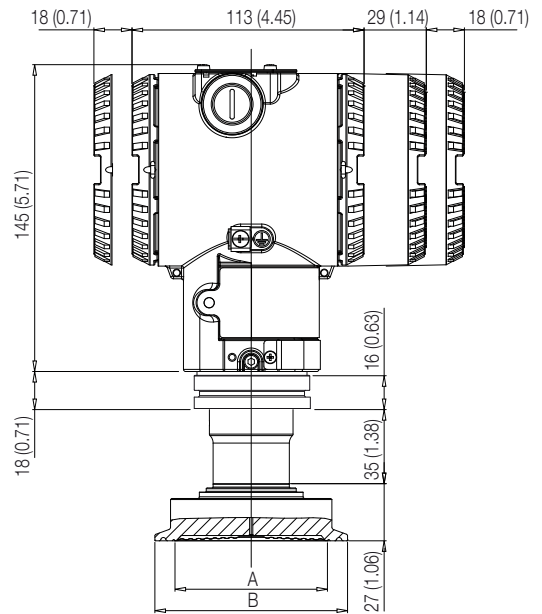


Dimensions mm (in) for S26JN		
Size/Rating	D (dia)	Mb (dia)
1 in. / DN 25	63 (2.48)	28.5 (1.12)
1 1/2 in. / DN 40	85 (3.35)	43 (1.69)
2 in. / DN 50	95 (3.74)	54.5 (2.15)
3 in. / DN 80	130 (5.12)	82.5 (3.25)

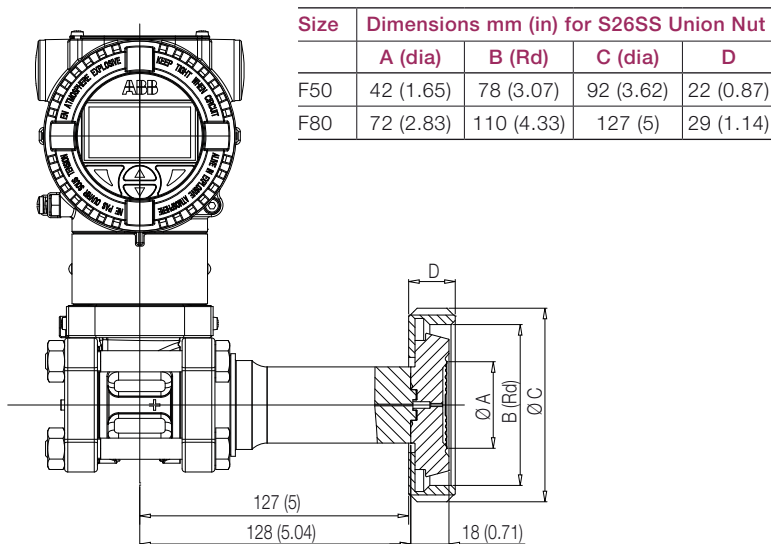
266DDH with barrel housing and direct mount seal S26SS Triclamp



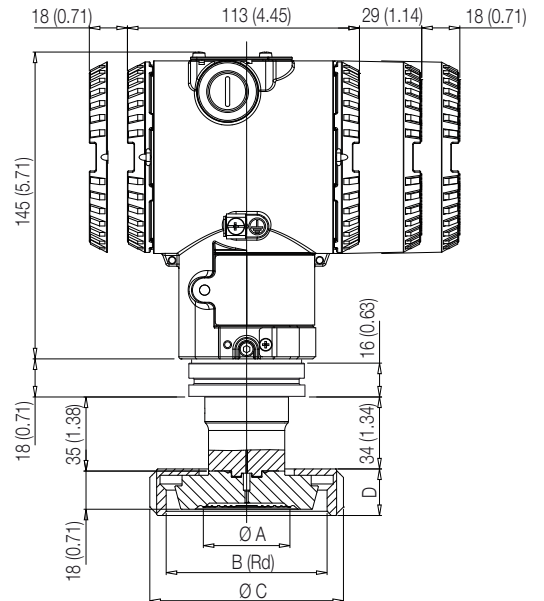
266HDH / 266NDH with barrel housing and direct mount seal S26SS Triclamp



266DDH with barrel housing and direct mount seal S26SS Union Nut



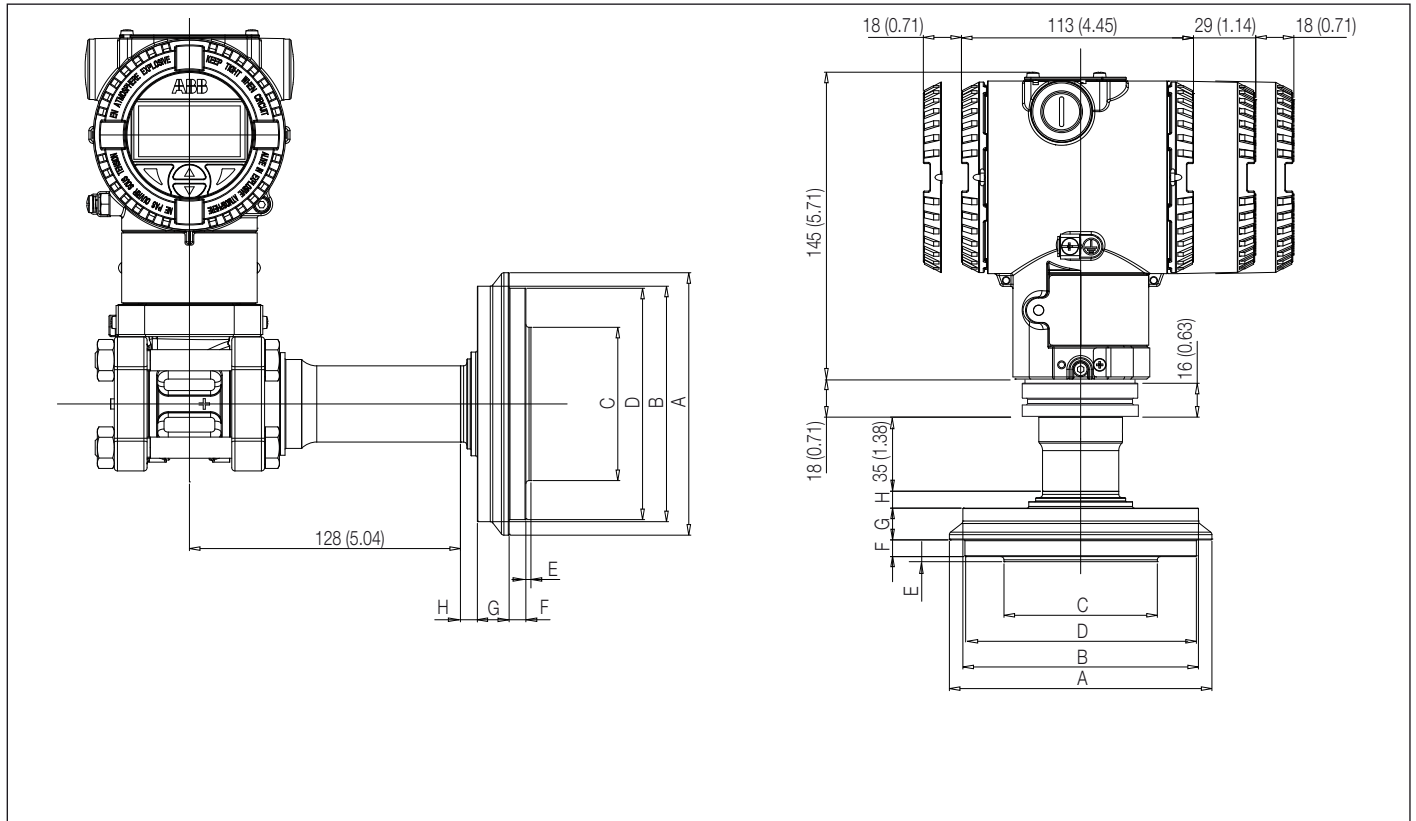
266HDH / 266NDH with barrel housing and direct mount seal S26SS Union Nut



Model 266DDH Differential  
 Model 266HDH Gauge  
 Model 266NDH Absolute

266DDH with barrel housing and direct mount  
 seal S26SS Cherry Burrell

266HDH / 266NDH with barrel housing and direct mount  
 seal S26SS Cherry Burrell



Dimensions mm (in) for S26SS Cherry Burrell

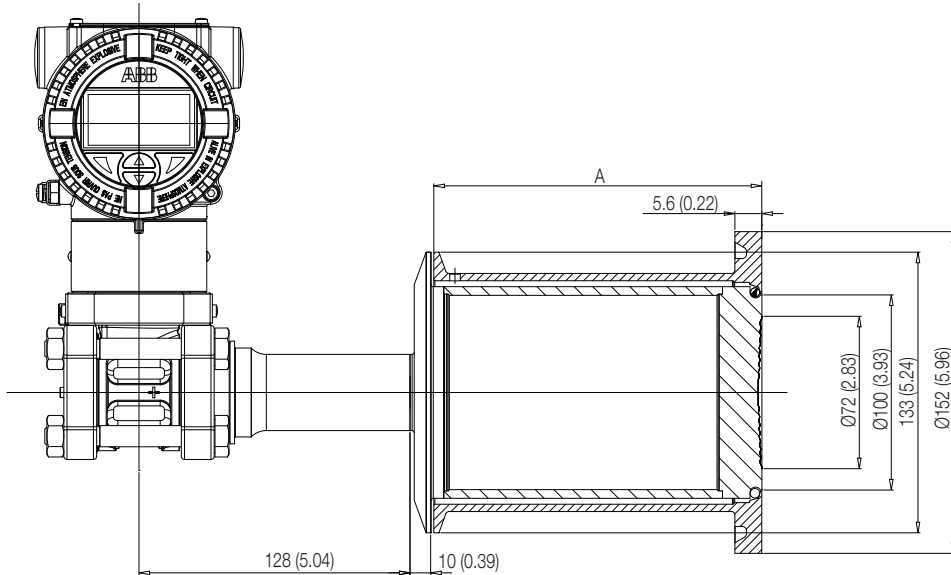
Size	A (dia)	B (dia)	C (dia)	D (dia)	E	F	G	H
2 in.	67 (2.64)	56 (2.2)	42 (1.65)	57 (2.24)	3.2 (0.13)	6.5 (0.26)	12.5 (0.49)	3 (0.12)
3 in.	98.4 (3.87)	81 (3.19)	72.42 (2.85)	83.8 (3.3)	2.4 (0.09)	7.9 (0.31)	15 (0.59)	3 (0.12)
4 in.	124 (4.88)	111.25 (4.38)	72.42 (2.85)	109.3 (4.3)	2.4 (0.09)	7.9 (0.31)	15 (0.59)	3 (0.12)



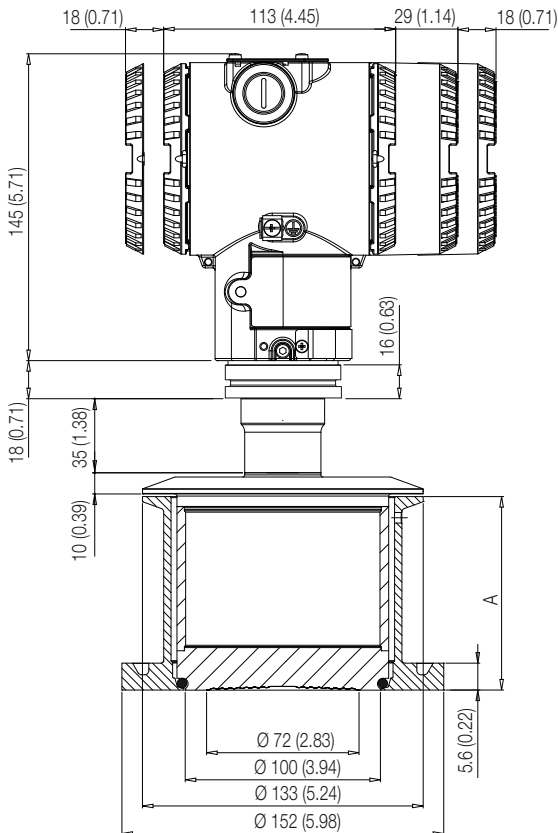


Model 266DDH Differential  
 Model 266HDH Gauge  
 Model 266NDH Absolute

266DDH with barrel housing and direct mount seal S26SS Sanitary extended

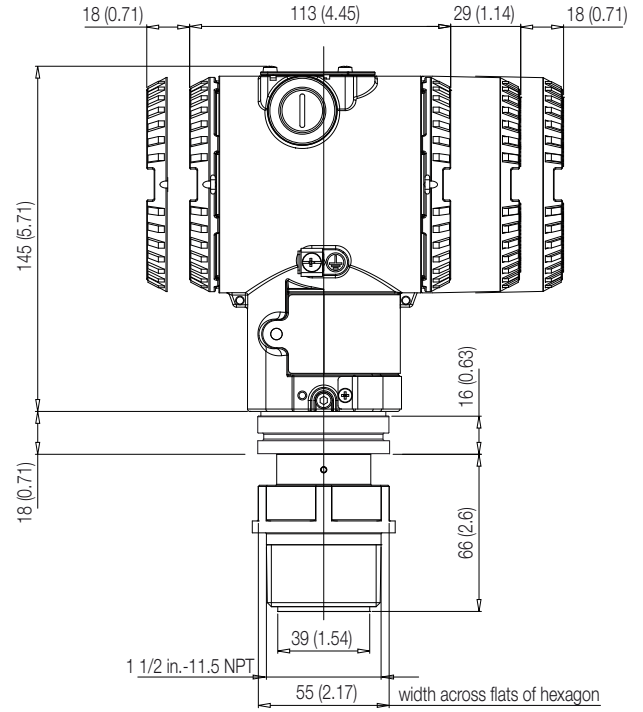
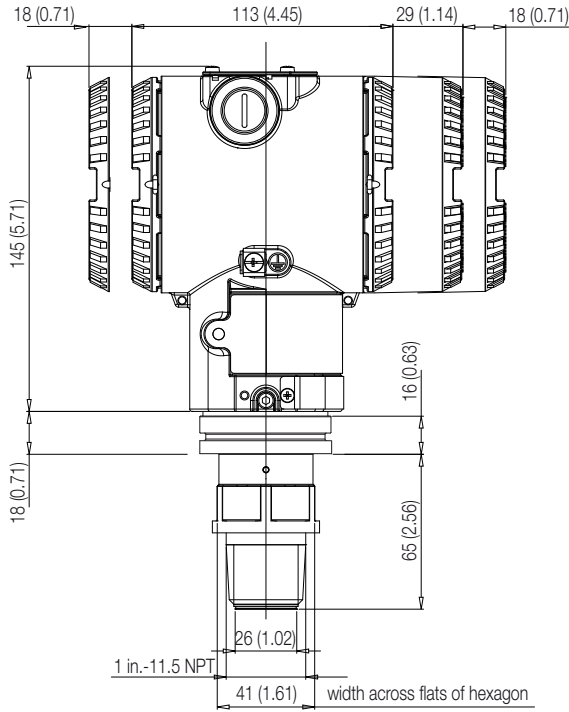


266HDH / 266NDH with barrel housing and direct mount seal S26SS Sanitary extended

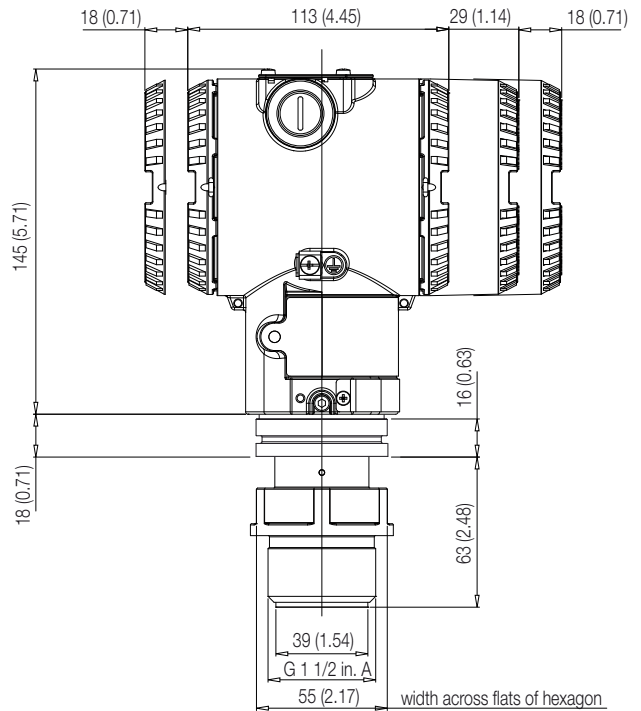
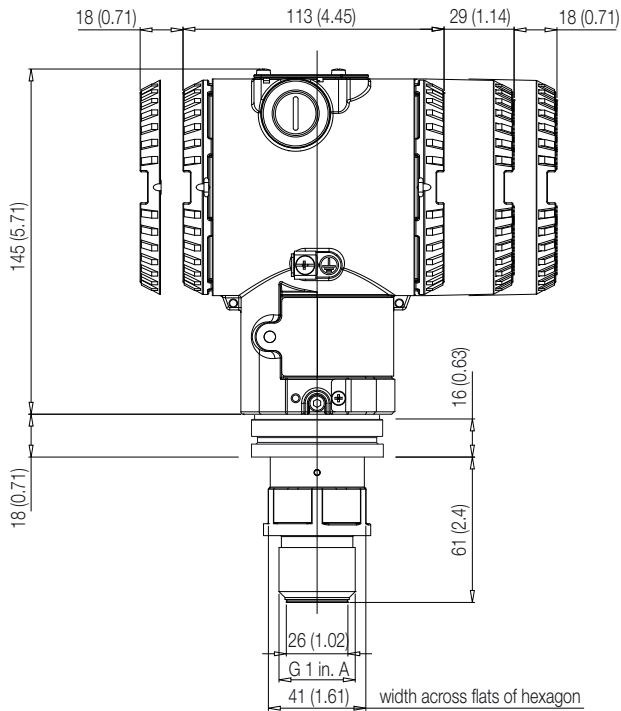


Size	Dimensions mm (in) for S26SS Sanitary extended	
	A	
2in	53.3 (2.1)	
4in	104.1 (4.1)	
6in	154.9 (6.1)	

**266HDH / 266NDH with barrel housing and direct mount seal S26KN pulp and paper NPT threaded connections**



**266HDH / 266NDH with barrel housing and direct mount seal S26KN pulp and paper Gas threaded connections**

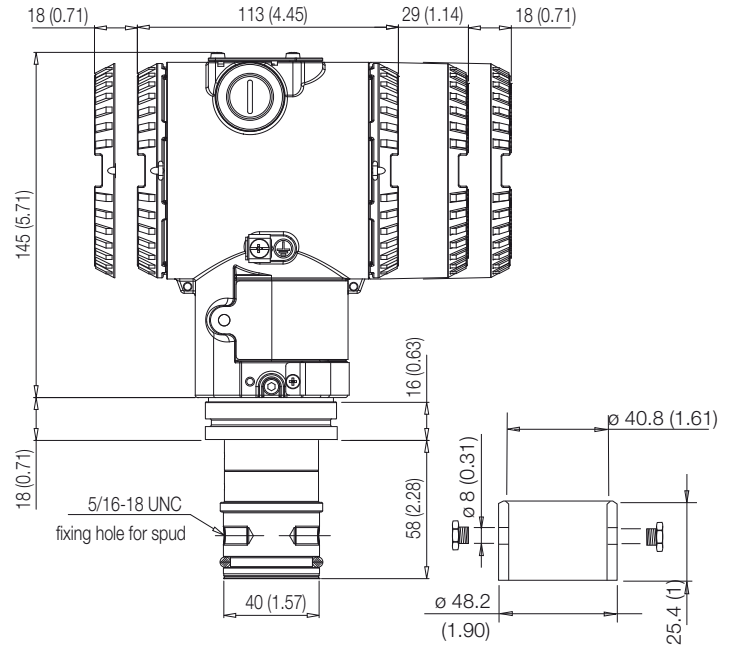
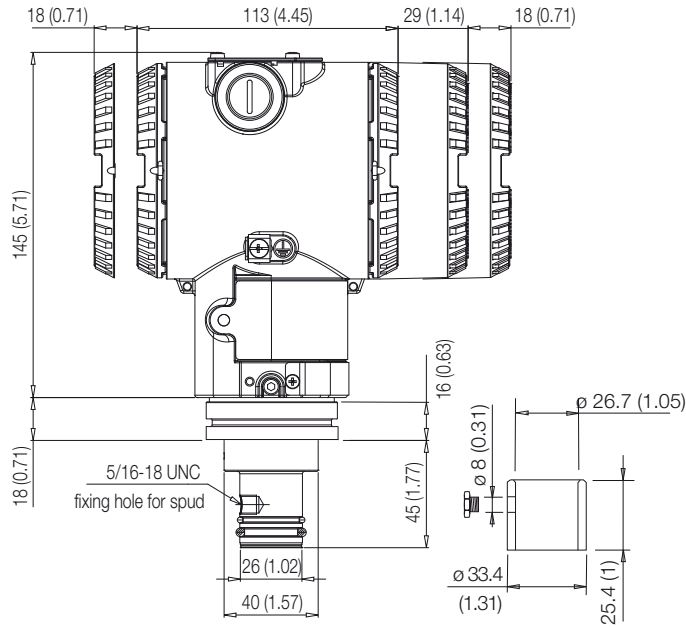


# Model 266DDH Differential

## Model 266HDH Gauge

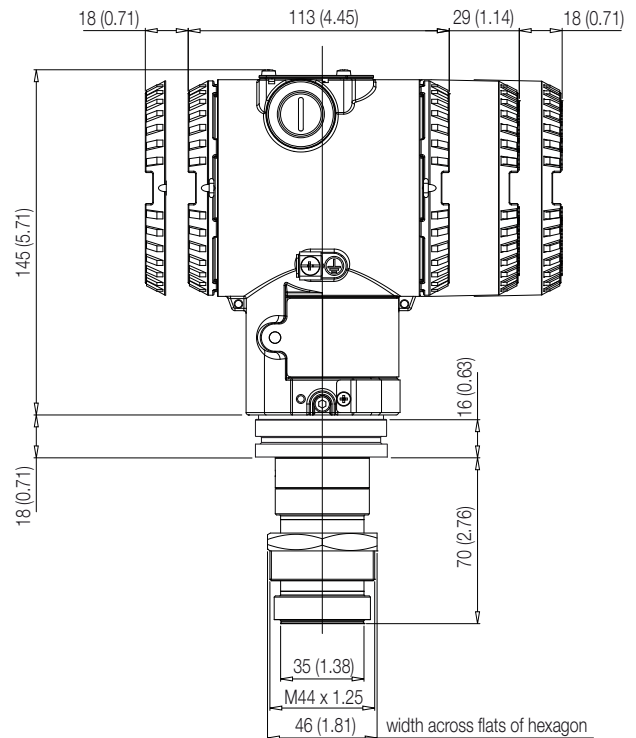
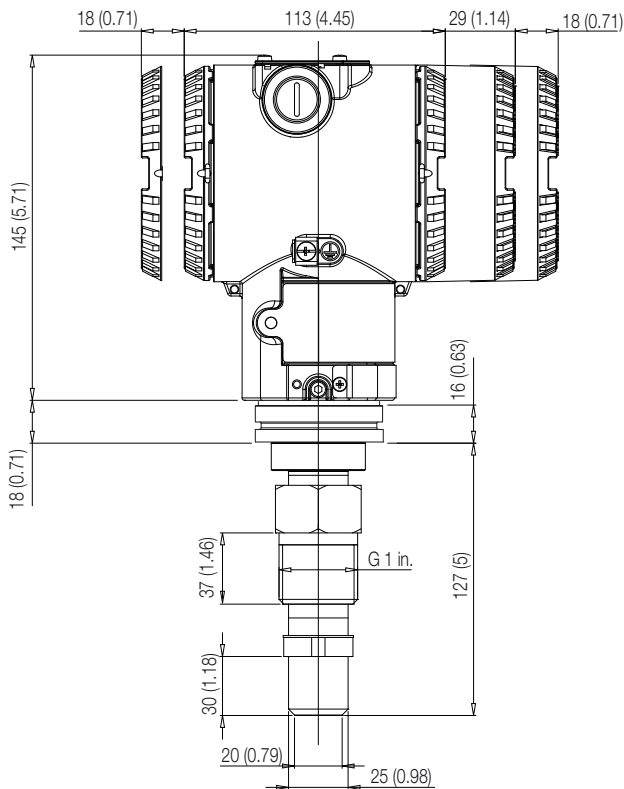
## Model 266NDH Absolute

**266HDH / 266NDH with barrel housing and direct mount seal S26KN pulp and paper sealing with gasket**

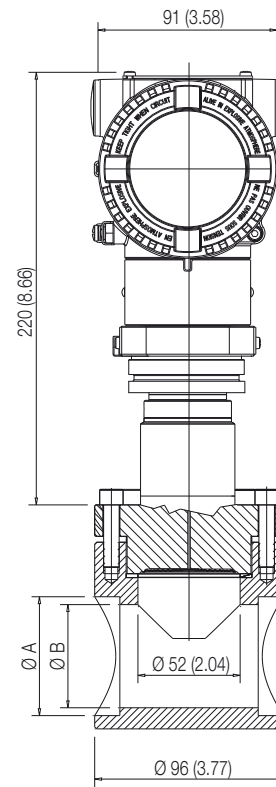
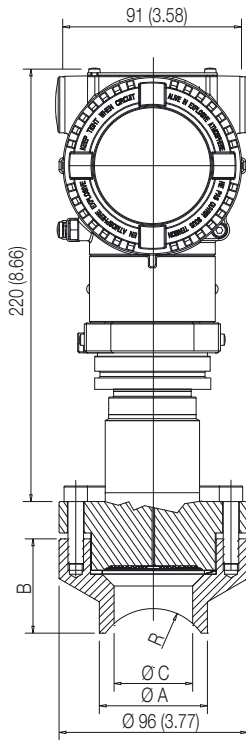


**266HDH / 266NDH with barrel housing and direct mount seal S26KN pulp and paper ball valve connection**

**266HDH / 266NDH with barrel housing and direct mount seal S26KN pulp and paper to threaded spud**



266HDH / 266NDH with barrel housing and direct mount seal S26VN saddle and socket



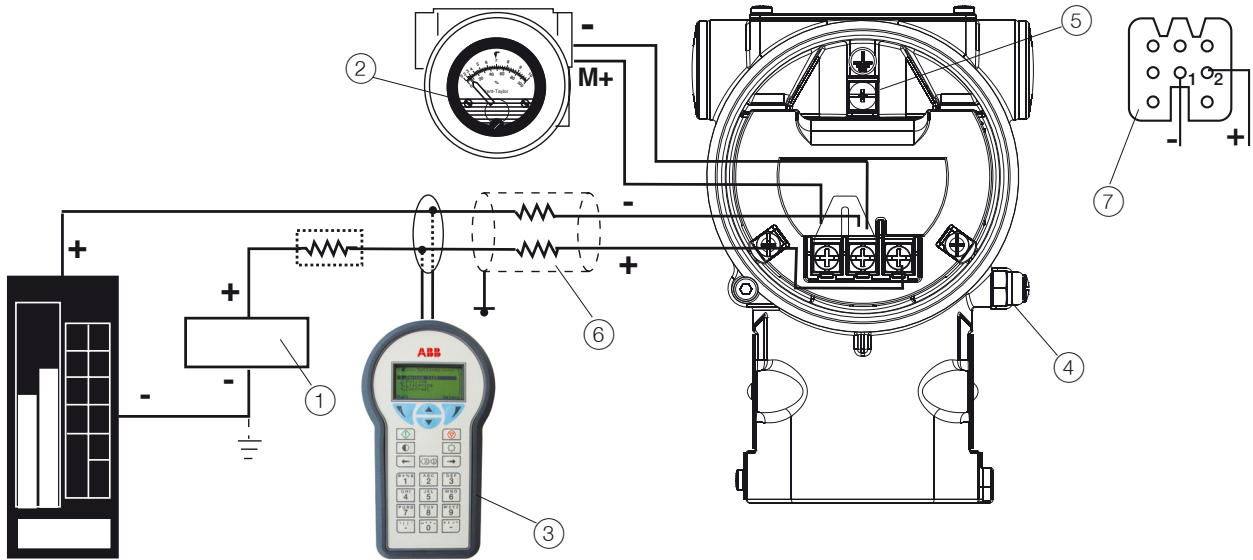
Fitting connection/ Size	Dimensions mm (in) for S2VN- saddle type			
	A (dia)	B	C (dia)	R
Saddle 2 in.	55 (2.17)	48 (1.89)	40 (1.57)	30
Saddle 2 1/2 in.	76 (3.0)	45 (1.77)	52 (2.05)	45
Saddle 3 in.	76 (3.0)	45 (1.77)	50 (1.97)	45
Saddle 4 in.	76 (3.0)	41 (1.61)	50 (1.97)	57
Saddle 5 in.	76 (3.0)	40 (1.57)	50 (1.97)	70
Saddle 6 in.	76 (3.0)	36 (1.42)	50 (1.97)	85

Fitting connection/ Size	Dimensions mm (in) for S2VN- socket type		
	A (dia)	B	C
Socket 1/2 in.	21.8 (0.86)	15.9 (0.63)	86 (3.39)
Socket 3/4 in.	27 (1.06)	21.2 (0.83)	96 (3.78)
Socket 1 in.	33.6 (1.32)	26.8 (1.06)	101 (3.98)
Socket 1 1/2 in.	48.5 (1.91)	41 (1.61)	121 (4.76)
Socket 2 in.	60.5 (2.38)	52.5 (2.07)	121 (4.76)

# Model 266DDH Differential Model 266HDH Gauge Model 266NDH Absolute

## Electrical connections

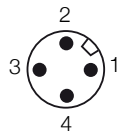
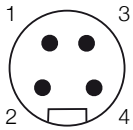
### HART Version



HART hand-held communicator may be connected at any wiring termination point in the loop, providing the minimum resistance is 250 ohm. If this is less than 250 ohm, additional resistance should be added to allow communications. Maximum voltage drop on external remote indicator is 0.7 Vdc

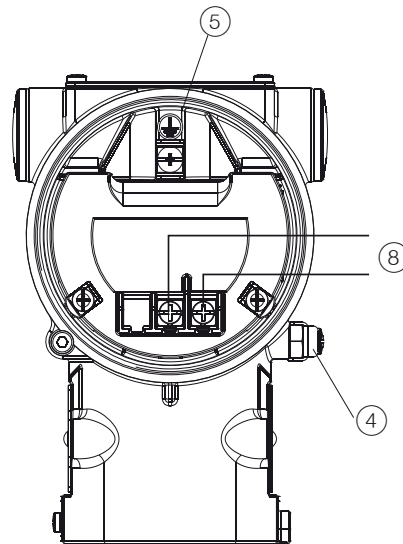
### FIELDBUS Versions

7/8 in connector      M12 x 1 connector



PIN (male) IDENTIFICATION		
	FOUNDATION Fieldbus	PROFIBUS PA
1	DATA -	DATA +
2	DATA +	GROUND
3	SHIELD	DATA -
4	GROUND	SHIELD

CONNECTOR IS SUPPLIED LOOSE  
WITHOUT MATING FEMALE PLUG



- ① Power source | ② Remote indicator | ③ Handheld communicator | ④ External ground termination point | ⑤ Internal ground termination point | ⑥ Line load | ⑦ Harting Han 8D socket insert for mating plug (supplied loose) | ⑧ Fieldbus line (polarity independent)

## Ordering information

### BASIC ORDERING INFORMATION model 266DDH Differential Pressure Transmitter with direct mount seal

Select one character or set of characters from each category and specify complete catalog number.

Refer to additional ordering information and specify one or more codes for each transmitter if additional options are required.

BASE MODEL - 1st to 6th characters			2	6	D	D	H	X	S	X	X	X	X	X
Differential Pressure Transmitter with direct mount seal – BASE ACCURACY 0.06 %														
SENSOR - Span limits - 7 <sup>th</sup> character														
0.8 and 16 kPa	8 and 160 mbar	3.2 and 64 inH2O						E						
0.67 and 40 kPa	6.7 and 400 mbar	2.67 and 160 inH2O						F						
1.1 and 65 kPa	11 and 650 mbar	4.35 and 260 inH2O						G						
2.67 and 160 kPa	26.7 and 1600 mbar	10.7 and 642 inH2O						H						
10 and 600 kPa	0.1 and 6 bar	1.45 and 87 psi						M						
40 and 2400 kPa	0.4 and 24 bar	5.8 and 348 psi						P						
134 and 8000 kPa	1.34 and 80 bar	19.4 and 1160 psi						Q						
267 and 16000 kPa	2.67 and 160 bar	38.7 and 2320 psi						S						
Use code - 8th character														
									S					
Diaphragm material / Fill fluid (wetted parts) - 9 <sup>th</sup> character														
AISI 316 L ss	Silicone oil	(one direct mount seal only to be quoted)						NACE	S					
Hastelloy C-276™	Silicone oil	(one direct mount seal only to be quoted)						NACE	K					
Monel 400™	Silicone oil	(one direct mount seal only to be quoted)						NACE	M					
Tantalum	Silicone oil	(one direct mount seal only to be quoted)						NACE	T					
AISI 316 L ss	Inert fluid - Galden	(one direct mount seal only to be quoted)	(Note 1)					NACE	A					
Hastelloy C-276™	Inert fluid - Galden	(one direct mount seal only to be quoted)	(Note 1)					NACE	F					
Monel 400™	Inert fluid - Galden	(one direct mount seal only to be quoted)	(Note 1)					NACE	C					
Tantalum	Inert fluid - Galden	(one direct mount seal only to be quoted)	(Note 1)					NACE	D					
AISI 316 L ss	Inert fluid - Halocarbon	(one direct mount seal only to be quoted)	(Note 1)					NACE	L					
Hastelloy C-276™	Inert fluid - Halocarbon	(one direct mount seal only to be quoted)	(Note 1)					NACE	P					
Monel 400™	Inert fluid - Halocarbon	(one direct mount seal only to be quoted)	(Note 1)					NACE	4					
Tantalum	Inert fluid - Halocarbon	(one direct mount seal only to be quoted)	(Note 1)					NACE	5					
AISI 316 L ss	Silicone oil	(one direct mount seal and one remote to be quoted)						NACE	R					
AISI 316 L ss	Inert fluid - Galden	(one direct mount seal and one remote to be quoted)	(Note 1)					NACE	2					
AISI 316 L ss	Inert fluid - Halocarbon	(one direct mount seal and one remote to be quoted)	(Note 1)					NACE	W					

continued  
see next page

# Model 266DDH Differential

## Model 266HDH Gauge

## Model 266NDH Absolute

BASIC ORDERING INFORMATION model 266DDH Differential Pressure Transmitter				2	6	D	D	H	X	S	X	X	X
<b>Process flanges/adapters material and connection (wetted parts) - 10th character</b>													
AISI 316 L ss for two seals construction			(Note 2)	NACE					R				
AISI 316 L ss (Horizontal connection)	1/4 – 18 NPT-f direct		(Note 3)	NACE					A				
AISI 316 L ss (Horizontal connection)	1/2 – 14 NPT-f through adapter		(Note 3)	NACE					B				
Hastelloy C-276™ (Horizontal connection)	1/4 – 18 NPT-f direct		(Notes 3, 4)	NACE					D				
Hastelloy C-276™ (Horizontal connection)	1/2 – 14 NPT-f through adapter		(Notes 3, 4)	NACE					E				
Monel 400™ (Horizontal connection)	1/4 – 18 NPT-f direct		(Notes 3, 4)	NACE					G				
Monel 400™ (Horizontal connection)	1/2 – 14 NPT-f through adapter		(Notes 3, 4)	NACE					H				
<b>Bolts/Gasket (wetted parts) - 11th character</b>													
AISI 316 ss (NACE) without gaskets for two seals construction– (MWP = 16 MPa)			(Note 2)	NACE							R		
AISI 316 ss without gaskets for two seals construction			(Note 2)								S		
AISI 316 ss	Viton™		(Note 3)								1		
AISI 316 ss	PTFE		(Notes 1, 3)								2		
AISI 316 ss (NACE) – (MWP = 16 MPa)	Viton™		(Note 3)	NACE							3		
AISI 316 ss (NACE) – (MWP = 16 MPa)	PTFE		(Notes 1, 3)	NACE							4		
<b>Housing material and electrical connection - 12th character</b>													
Aluminium alloy ( barrel version)	1/2 – 14 NPT												A
Aluminium alloy ( barrel version)	M20 x 1.5 (CM 20)												B
Aluminium alloy ( barrel version)	Harting Han 8D connector	(general purpose only)						(Note 5)					E
Aluminium alloy ( barrel version)	Fieldbus connector	(general purpose only)						(Note 5)					G
AISI 316 L ss ( barrel version)	1/2 – 14 NPT												S
AISI 316 L ss ( barrel version)	M20 x 1.5 (CM20)												T
AISI 316 L ss ( barrel version)	Fieldbus connector	(general purpose only)						(Note 5)					Z
Aluminium alloy (DIN version)	M20 x 1.5 (CM20)	(not Ex d or XP)											J
Aluminium alloy (DIN version)	Harting Han 8D connector	(general purpose only)						(Note 5)					K
Aluminium alloy (DIN version)	Fieldbus connector	(general purpose only)						(Note 5)					W
<b>Output/Additional options - 13th character</b>													
Standard HART and 4 to 20 mA		No additional options						(Notes 5, 6)					L
Standard HART and 4 to 20 mA		Options requested by "Additional ordering code"						(Note 5)					7
Advanced HART and 4 to 20 mA (includes option R1)		No additional options						(Notes 5, 6)					H
Advanced HART and 4 to 20 mA (includes option R1)		Options requested by "Additional ordering code"						(Note 5)					1
PROFIBUS PA (includes option R1)		No additional options						(Notes 5, 6)					P
PROFIBUS PA (includes option R1)		Options requested by "Additional ordering code"						(Note 6)					2
FOUNDATION Fieldbus (includes option R1)		No additional options						(Notes 5, 6)					F
FOUNDATION Fieldbus (includes option R1)		Options requested by "Additional ordering code"						(Note 6)					3
HART and 4 to 20 mA Safety, certified to IEC 61508 (includes option R1)		No additional options						(Notes 5, 6)					T
HART and 4 to 20 mA Safety, certified to IEC 61508 (includes option R1)		Options requested by "Additional ordering code"						(Note 5)					8

## ADDITIONAL ORDERING INFORMATION for model 266DDH

Add one or more 2-digit code(s) after the basic ordering information to select all required options

				XX	XX
<b>Drain/vent valve (material and position) (wetted parts)</b>					
AISI 316 L ss	on process axis	(Note 8)	NACE	V1	
AISI 316 L ss	on flange side top	(Note 8)	NACE	V2	
AISI 316 L ss	on flange side bottom	(Note 8)	NACE	V3	
Hastelloy C-276™	on process axis	(Note 9)	NACE	V4	
Hastelloy C-276™	on flange side top	(Note 9)	NACE	V5	
Hastelloy C-276™	on flange side bottom	(Note 9)	NACE	V6	
Monel 400™	on process axis	(Note 10)	NACE	V7	
Monel 400™	on flange side top	(Note 10)	NACE	V8	
Monel 400™	on flange side bottom	(Note 10)	NACE	V9	
<b>Hazardous area certifications</b>					
ATEX Intrinsic Safety II 1 G and II 1/2 G Ex ia IIC T6/T5/T4; II 1 D Ex iaD 20 T85 °C and II 1/2D Ex iaD 21 T85 °C			(Notes 6, 7)	E1	
ATEX Explosion Proof Group II Category 1/2 G Ex d IIC T6 and Group II Category 1/2 D Ex tD A21 IP67 T85 °C			(Notes 6, 7, 11)	E2	
ATEX Type „N“ Group II Category 3 G Ex nL IIC T6/T5/T4 and Group II Category 3 D Ex tD A22 IP67 T85 °C			(Notes 6, 7)	E3	
Combined ATEX - Intrinsic Safety, Explosion Proof and Type „N“			(Notes 6, 7, 11)	EW	
Combined ATEX - Intrinsic Safety and Explosion Proof			(Notes 6, 7, 11)	E7	
Combined ATEX, FM Approvals (USA) and FM Approvals (Canada)			(Notes 6, 7, 11)	EN	
FM Approvals (Canada) approval			(Notes 6, 7, 11)	E4	
FM Approvals (USA) approval			(Notes 6, 7, 11)	E6	
FM Approvals (USA and Canada) Intrinsic Safety			(Notes 6, 7)	EA	
FM Approvals (USA and Canada) Explosion Proof			(Notes 6, 7, 11)	EB	
FM Approvals (USA and Canada) Nonincendive			(Notes 6, 7)	EC	
IECEX Intrinsic Safety Ex ia IIC T6/T5/T4; Ex iaD 20 T85 °C and Ex iaD 21 T85 °C;			(Notes 6, 7)	E8	
IECEX Explosion Proof Ex d IIC T6 and Ex tD A21 IP67 T85 °C (Ta= -50 to +75 °C)			(Notes 6, 7, 11)	E9	
IECEX Type „N“ Ex nL IIC T6/T5/T4			(Notes 6, 7)	ER	
Combined IECEX - Intrinsic Safety, Explosion Proof and Type „N“			(Notes 6, 7, 11)	EI	
Combined IECEX - Intrinsic Safety and Explosion Proof			(Notes 6, 7, 11)	EH	
NEPSI Intrinsic Safety Ex ia IIC T4~T6, DIP A20TA, T4~T6			(Notes 6, 7)	EY	
NEPSI Explosion Proof Ex d IIC T6, DIP A21TA, T6			(Notes 6, 7, 11)	EZ	
NEPSI Type „N“ Ex nL IIC T4~T6, DIP A22TA, TT6			(Notes 6, 7)	ES	
Combined NEPSI - Intrinsic Safety, Explosion Proof and Type „N“			(Notes 6, 7, 11)	EQ	
Combined NEPSI - Intrinsic Safety and Explosion Proof			(Notes 6, 7, 11)	EP	



# Model 266DDH Differential

## Model 266HDH Gauge

## Model 266NDH Absolute

<b>ADDITIONAL ORDERING INFORMATION for model 266DDH</b>		XX	XX	XX	XX	XX	XX
<b>Other hazardous area certifications (ONLY AS ALTERNATIVE TO BASIC CERTIFICATION CODE Ex)</b>							
GOST (Russia) Ex ia	(Notes 6, 7)	W1					
GOST (Russia) Ex d	(Notes 6, 7, 11)	W2					
GOST (Kazakhstan) Ex ia	(Notes 6, 7)	W3					
GOST (Kazakhstan) Ex d	(Notes 6, 7, 11)	W4					
Inmetro (Brazil) Ex ia	(Notes 6, 7, 13)	W5					
Inmetro (Brazil) Ex d	(Notes 6, 7, 11, 13)	W6					
Inmetro (Brazil) Ex nL	(Notes 6, 7, 13)	W7					
Combined Inmetro (Brazil) - Intrinsic Safety, Explosion Proof and Type „N“	(Notes 6, 7, 11, 13)	W8					
GOST (Belarus) Ex ia	(Notes 6, 7)	WF					
GOST (Belarus) Ex d	(Notes 6, 7, 11)	WG					
Combined GOST (Belarus) - Intrinsic Safety and Explosion Proof	(Notes 6, 7, 11)	WH					
Kosha (Korea) Intrinsic Safety Ex ia IIC T6, IP67	(Notes 6, 7, 13)	WM					
Kosha (Korea) Explosion Proof Ex d IIC T6, IP67	(Notes 6, 7, 11, 13)	WN					
Combined Kosha (Korea) - Intrinsic Safety and Explosion Proof	(Notes 6, 7, 11, 13)	WP					
<b>Integral LCD</b>							
Digital LCD integral display with integrated keypad	(Note 13)	L1					
Digital LCD integral display with TTG (Through-The-Glass) activated keypad	(Note 13)	L5					
Standard Digital LCD integral display (ONLY SELECTABLE WITH OUTPUT CODE 7)		L9					
<b>External non intrusive Z, S and WP pushbuttons</b>							
Transmitters with external pushbutton (ONLY SELECTABLE WITH OUTPUT CODE 7)						R1	
<b>Surge</b>							
Surge/Transient Protector							S2
<b>Operating manual (up to 2 different selections allowed)</b>							
German (ONLY FOR HART and PROFIBUS VERSIONS)							M1
Italian (ONLY FOR HART VERSION)							M2
Spanish (ONLY FOR HART VERSION)							M3
French (ONLY FOR HART VERSION)							M4
English							M5
Chinese (ONLY FOR HART VERSION)							M6
Swedish (ONLY FOR HART VERSION)							M7
Polish (ONLY FOR HART VERSION)							M9
Portuguese (ONLY FOR HART VERSION)							MA
Turkish (ONLY FOR HART VERSION)							MT
<b>Plates language</b>							
German							T1
Italian							T2
Spanish							T3
French							T4
<b>Additional tag plate</b>							
Supplemental wired-on stainless steel plate							I1
Tag and certification stainless steel plates and laser printing of tag							I2
Tag, certification and supplemental wired-on stainless steel plates and laser printing of tag							I3

ADDITIONAL ORDERING INFORMATION FOR MODEL 266DDH		XX	XX	XX	XX	XX	XX
<b>Configuration</b>							
Standard – Pressure = inH2O/ psi at 68 °F; Temperature = deg. F		N2					
Standard – Pressure = inH2O/ psi at 39.2 °F; Temperature = deg. F		N3					
Standard – Pressure = inH2O/ psi at 20 °C; Temperature = deg. C		N4					
Standard – Pressure = inH2O/ psi at 4 °C; Temperature = deg. C		N5					
Custom		N6					
<b>Certificates (up to 2 different selections allowed)</b>							
Inspection certificate EN 10204–3.1 of calibration (9-point)			C1				
Inspection certificate EN 10204–3.1 of helium leakage test of the sensor module			C4				
Inspection certificate EN 10204–3.1 of the pressure test			C5				
Certificate of compliance with the order EN 10204–2.1 of instrument design			C6				
Printed record of configured data of transmitter			CG				
PMI test of wetted parts			CT				
<b>Approvals</b>							
GOST (Russia) without Ex (NOT APPLICABLE WITH ANY HAZARDOUS AREA CERTIFICATION)			Y1				
GOST (Kazakhstan) without Ex (NOT APPLICABLE WITH ANY HAZARDOUS AREA CERTIFICATION)			Y2				
GOST (Belarus) without Ex (NOT APPLICABLE WITH ANY HAZARDOUS AREA CERTIFICATION)			Y4				
Chinese pattern without Ex (NOT APPLICABLE WITH ANY HAZARDOUS AREA CERTIFICATION)			Y5				
DNV approval		(Note 13)		YA			
Lloyd approval (PENDING)		(Note 13)		YB			
Approval for Custody transfer (PENDING)		(Note 13)		YC			
<b>Material traceability</b>							
Certificate of compliance with the order EN 10204–2.1 of process wetted parts						H1	
Inspection certificate EN 10204–3.1 of process wetted parts						H3	
Test report EN 10204–2.2 of pressure bearing and process wetted parts						H4	
<b>Connector</b>							
Fieldbus 7/8 in. (Recommended for FOUNDATION Fieldbus) - (supplied loose without mating female plug)		(Notes 7, 12)				U1	
Fieldbus M12x1 (Recommended for PROFIBUS PA) - (supplied loose without mating female plug)		(Notes 7, 12)				U2	
Harting Han 8D – straight entry - (supplied loose)		(Notes 6, 12)				U3	
Harting Han 8D – angle entry - (supplied loose)		(Notes 6, 12)				U4	

Note 1: Suitable for oxygen service

Note 2: Not available with low side diaphragm code S, K, M, T, A, F, C, D, L, P, 4, 5

Note 3: Not available with low side diaphragm code R, 2, W

Note 4: Not available with diaphragm material/fill fluid code S, A, L

Note 5: Select type in additional ordering code

Note 6: Not available with Housing code G, Z, W

Note 7: Not available with Housing code E, K

Note 8: Not available with Process flanges/adapters code D, E, G, H, R

Note 9: Not available with Process flanges/adapters code A, B, G, H, R

Note 10: Not available with Process flanges/adapters code A, B, D, E, R

Note 11: Not available with Housing code J, K, W

Note 12: Not available with Housing code A, B, S, T, J

Note 13: Not available with Output code 7

### Standard delivery items (can be differently specified by additional ordering code)

- Adapter supplied loose
- Plug on axis (no drain/vent valve)
- General purpose (no electrical certification)
- No display, no surge protection
- Multilanguage short-form operating instruction manual and labels in english (metal nameplate; self-adhesive certification and tag)
- Configuration with kPa and deg. C units
- No test, inspection or material traceability certificates

# Model 266DDH Differential

## Model 266HDH Gauge

## Model 266NDH Absolute

### BASIC ORDERING INFORMATION model 266HDH Gauge Pressure Transmitter with direct mount seal

Select one character or set of characters from each category and specify complete catalog number.

Refer to additional ordering information and specify one or more codes for each transmitter if additional options are required.

<b>BASE MODEL</b> - 1st to 6th characters			<b>2 6 6 H D H</b>	<b>X</b>	<b>X</b>	<b>X</b>	<b>X</b>	<b>X</b>
Gauge Pressure Transmitter with direct mount seal – BASE ACCURACY 0.06 %								
<b>SENSOR - Span limits</b> - 7 <sup>th</sup> character								
1.1 and 65 kPa	11 and 650 mbar	4.35 and 260 inH2O		G				
2.67 and 160 kPa	26.7 and 1600 mbar	10.7 and 642 inH2O		H				
10 and 600 kPa	0.1 and 6 bar	1.45 and 87 psi		M				
40 and 2400 kPa	0.4 and 24 bar	5.8 and 348 psi		P				
134 and 8000 kPa	1.34 and 80 bar	19.4 and 1160 psi		Q				
267 and 16000 kPa	2.67 and 160 bar	38.7 and 2320 psi		S				
<b>Diaphragm material / Fill fluid</b> - 8 <sup>th</sup> character								
AISI 316 L ss	Silicone oil					R		
AISI 316 L ss	Inert fluid - Galden	(Note 1)				2		
AISI 316 L ss	Inert fluid - Halocarbon	(Note 1)				W		
<b>Process connection (wetted parts)</b> - 9 <sup>th</sup> character								
Direct mount seal	(one seal to be quoted separately)						M	
<b>Housing material and electrical connection</b> - 10 <sup>th</sup> character								
Aluminium alloy ( barrel version)	1/2 – 14 NPT							A
Aluminium alloy ( barrel version)	M20 x 1.5 (CM 20)							B
Aluminium alloy ( barrel version)	Harting Han 8D connector	(general purpose only)			(Note 2)			E
Aluminium alloy ( barrel version)	Fieldbus connector	(general purpose only)			(Note 2)			G
AISI 316 L ss ( barrel version)	1/2 – 14 NPT							S
AISI 316 L ss ( barrel version)	M20 x 1.5 (CM20)							T
AISI 316 L ss ( barrel version)	Fieldbus connector	(general purpose only)			(Note 2)			Z
Aluminium alloy (DIN version)	M20 x 1.5 (CM20)	(not Ex d or XP)						J
Aluminium alloy (DIN version)	Harting Han 8D connector	(general purpose only)			(Note 2)			K
Aluminium alloy (DIN version)	Fieldbus connector	(general purpose only)			(Note 2)			W
<b>Output/Additional options</b> - 11 <sup>th</sup> character								
Standard HART and 4 to 20 mA	No additional options				(Notes 5, 6)			L
Standard HART and 4 to 20 mA	Options requested by “Additional ordering code”				(Note 5)			7
Advanced HART and 4 to 20 mA (includes option R1)	No additional options				(Notes 5, 6)			H
Advanced HART and 4 to 20 mA (includes option R1)	Options requested by “Additional ordering code”				(Note 5)			1
PROFIBUS PA (includes option R1)	No additional options				(Notes 5, 6)			P
PROFIBUS PA (includes option R1)	Options requested by “Additional ordering code”				(Note 6)			2
FOUNDATION Fieldbus (includes option R1)	No additional options				(Notes 5, 6)			F
FOUNDATION Fieldbus (includes option R1)	Options requested by “Additional ordering code”				(Note 6)			3
HART and 4 to 20 mA Safety, certified to IEC 61508 (includes option R1)	No additional options				(Notes 5, 6)			T
HART and 4 to 20 mA Safety, certified to IEC 61508 (includes option R1)	Options requested by “Additional ordering code”				(Note 5)			8

## ADDITIONAL ORDERING INFORMATION for model 266HDH

Add one or more 2-digit code(s) after the basic ordering information to select all required options

	XX	XX	XX	XX
<b>Hazardous area certifications</b>				
ATEX Intrinsic Safety II 1 G and II 1/2 G Ex ia IIC T6/T5/T4; II 1 D Ex iaD 20 T85 °C and II 1/2D Ex iaD 21 T85 °C (Notes 3, 4)	E1			
ATEX Explosion Proof Group II Category 1/2 G Ex d IIC T6 and Group II Category 1/2 D Ex tD A21 IP67 T85 °C (Notes 3, 4, 5)	E2			
ATEX Type „N“ Group II Category 3 G Ex nL IIC T6/T5/T4 and Group II Category 3 D Ex tD A22 IP67 T85 °C (Notes 3, 4)	E3			
Combined ATEX - Intrinsic Safety, Explosion Proof and Type „N“ (Notes 3, 4, 5)	EW			
Combined ATEX - Intrinsic Safety and Explosion Proof (Notes 3, 4, 5)	E7			
Combined ATEX, FM Approvals (USA) and FM Approvals (Canada) (Notes 3, 4, 5)	EN			
FM Approvals (Canada) approval (Notes 3, 4, 5)	E4			
FM Approvals (USA) approval (Notes 3, 4, 5)	E6			
FM Approvals (USA and Canada) Intrinsic Safety (Notes 3, 4)	EA			
FM Approvals (USA and Canada) Explosion Proof (Notes 3, 4, 5)	EB			
FM Approvals (USA and Canada) Nonincendive (Notes 3, 4)	EC			
IECEX Intrinsic Safety Ex ia IIC T6/T5/T4; Ex iaD 20 T85 °C and Ex iaD 21 T85 °C; (Notes 3, 4)	E8			
IECEX Explosion Proof Ex d IIC T6 and Ex tD A21 IP67 T85 °C (Ta= -50 to +75 °C) (Notes 3, 4, 5)	E9			
IECEX Type „N“ Ex nL IIC T6/T5/T4 (Notes 3, 4)	ER			
Combined IECEX - Intrinsic Safety, Explosion Proof and Type „N“ (Notes 3, 4, 5)	EI			
Combined IECEX - Intrinsic Safety and Explosion Proof (Notes 3, 4, 5)	EH			
NEPSI Intrinsic Safety Ex ia IIC T4~T6, DIP A20TA, T4~T6 (Notes 3, 4)	EY			
NEPSI Explosion Proof Ex d IIC T6, DIP A21TA, T6 (Notes 3, 4, 5)	EZ			
NEPSI Type „N“ Ex nL IIC T4~T6, DIP A22TA, T6 (Notes 3, 4)	ES			
Combined NEPSI - Intrinsic Safety, Explosion Proof and Type „N“ (Notes 3, 4, 5)	EQ			
Combined NEPSI - Intrinsic Safety and Explosion Proof (Notes 3, 4, 5)	EP			
<b>Other hazardous area certifications (ONLY AS ALTERNATIVE TO BASIC CERTIFICATION CODE Ex)</b>				
GOST (Russia) Ex ia (Notes 3, 4)	W1			
GOST (Russia) Ex d (Notes 3, 4, 5)	W2			
GOST (Kazakhstan) Ex ia (Notes 3, 4)	W3			
GOST (Kazakhstan) Ex d (Notes 3, 4, 5)	W4			
Inmetro (Brazil) Ex ia (Notes 3, 4, 7)	W5			
Inmetro (Brazil) Ex d (Notes 3, 4, 5, 7)	W6			
Inmetro (Brazil) Ex nL (Notes 3, 4, 7)	W7			
Combined Inmetro (Brazil) - Intrinsic Safety, Explosion Proof and Type „N“ (Notes 3, 4, 5, 7)	W8			
GOST (Belarus) Ex ia (Notes 3, 4)	WF			
GOST (Belarus) Ex d (Notes 3, 4, 5)	WG			
Combined GOST (Belarus) - Intrinsic Safety and Explosion Proof (Notes 3, 4, 5)	WH			
Kosha (Korea) Intrinsic Safety Ex ia IIC T6, IP67 (Notes 3, 4, 7)	WM			
Kosha (Korea) Explosion Proof Ex d IIC T6, IP67 (Notes 3, 4, 5, 7)	WN			
Combined Kosha (Korea) - Intrinsic Safety and Explosion Proof (Notes 3, 4, 5, 7)	WP			
<b>Integral LCD</b>				
Digital LCD integral display (Note 7)	L1			
TTG (Through-The-Glass) digital LCD controlled display (Note 7)	L5			
Standard Digital LCD integral display (ONLY SELECTABLE WITH OUTPUT CODE 7)	L9			
<b>External non intrusive Z, S and WP pushbuttons</b>				
Transmitters with external pushbutton (ONLY SELECTABLE WITH OUTPUT CODE 7)				R1
<b>Surge</b>				
Surge/Transient Protector				S2

# Model 266DDH Differential

## Model 266HDH Gauge

## Model 266NDH Absolute

<b>ADDITIONAL ORDERING INFORMATION for model 266HDH</b>	<b>XX</b>	<b>XX</b>	<b>XX</b>	<b>XX</b>	<b>XX</b>
<b>Operating manual (up to 2 different selections allowed)</b>					
German (ONLY FOR HART and PROFIBUS VERSIONS)	M1				
Italian (ONLY FOR HART VERSION)	M2				
Spanish (ONLY FOR HART VERSION)	M3				
French (ONLY FOR HART VERSION)	M4				
English	M5				
Chinese (ONLY FOR HART VERSION)	M6				
Swedish (ONLY FOR HART VERSION)	M7				
Polish (ONLY FOR HART VERSION)	M9				
Portuguese (ONLY FOR HART VERSION)	MA				
Turkish (ONLY FOR HART VERSION)	MT				
<b>Plates language</b>					
German		T1			
Italian		T2			
Spanish		T3			
French		T4			
<b>Additional tag plate</b>					
Supplemental wired-on stainless steel plate				I1	
Tag and certification stainless steel plates and laser printing of tag				I2	
Tag, certification and supplemental wired-on stainless steel plates and laser printing of tag				I3	
<b>Configuration</b>					
Standard – Pressure = inH2O/ psi at 68 °F; Temperature = deg. F					N2
Standard – Pressure = inH2O/ psi at 39.2 °F; Temperature = deg. F					N3
Standard – Pressure = inH2O/ psi at 20 °C; Temperature = deg. C					N4
Standard – Pressure = inH2O/ psi at 4 °C; Temperature = deg. C					N5
Custom					N6
<b>Certificates (up to 2 different selections allowed)</b>					
Inspection certificate EN 10204–3.1 of calibration (9-point)					C1
Inspection certificate EN 10204–3.1 of helium leakage test of the sensor module					C4
Inspection certificate EN 10204–3.1 of the pressure test					C5
Certificate of compliance with the order EN 10204–2.1 of instrument design					C6
Printed record of configured data of transmitter					CG
PMI test of wetted parts					CT

ADDITIONAL ORDERING INFORMATION FOR MODEL 266HDH			XX	XX	XX	XX
<b>Approvals</b>						
GOST (Russia) without Ex	(NOT APPLICABLE WITH ANY HAZARDOUS AREA CERTIFICATION)		Y1			
GOST (Kazakhstan) without Ex	(NOT APPLICABLE WITH ANY HAZARDOUS AREA CERTIFICATION)		Y2			
GOST (Belarus) without Ex	(NOT APPLICABLE WITH ANY HAZARDOUS AREA CERTIFICATION)		Y4			
Chinese pattern without Ex	(NOT APPLICABLE WITH ANY HAZARDOUS AREA CERTIFICATION)		Y5			
DNV approval	(Note 7)			YA		
Lloyd approval (PENDING)	(Note 7)			YB		
Approval for Custody transfer (PENDING)	(Note 7)			YC		
<b>Material traceability</b>						
Certificate of compliance with the order EN 10204–2.1 of process wetted parts						H1
Inspection certificate EN 10204–3.1 of process wetted parts						H3
Test report EN 10204–2.2 of pressure bearing and process wetted parts						H4
<b>Connector</b>						
Fieldbus 7/8 in. (Recommended for FOUNDATION Fieldbus) - (supplied loose without mating female plug)			(Notes 4, 6)			U1
Fieldbus M12x1 (Recommended for PROFIBUS PA) - (supplied loose without mating female plug)			(Notes 4, 6)			U2
Harting Han 8D – straight entry - (supplied loose)			(Notes 3, 6)			U3
Harting Han 8D – angle entry - (supplied loose)			(Notes 3, 6)			U4

Note 1: Suitable for oxygen service

Note 2: Select type in additional ordering code

Note 3: Not available with Housing code G, Z, W

Note 4: Not available with Housing code E, K

Note 5: Not available with Housing code J, K, W

Note 6: Not available with Housing code A, B, S, T, J

Note 7: Not available with Output code 7

### Standard delivery items (can be differently specified by additional ordering code)

- General purpose (no electrical certification)
- No display, no surge protection
- Multilanguage short-form operating instruction manual and labels in english (metal nameplate; self-adhesive certification and tag)
- Configuration with kPa and deg. C units
- No test, inspection or material traceability certificates

# Model 266DDH Differential

## Model 266HDH Gauge

## Model 266NDH Absolute

### BASIC ORDERING INFORMATION model 266NDH Absolute Pressure Transmitter with direct mount seal

Select one character or set of characters from each category and specify complete catalog number.

Refer to additional ordering information and specify one or more codes for each transmitter if additional options are required.

BASE MODEL - 1st to 6th characters			2	6	N	D	H	X	X	X	X	X
Gauge Pressure Transmitter with direct mount seal – BASE ACCURACY 0.06 %												
SENSOR - Span limits - 7 <sup>th</sup> character												
1.1 and 65 kPa	11 and 650 mbar	4.35 and 260 inH2O						G				
2.67 and 160 kPa	26.7 and 1600 mbar	10.7 and 642 inH2O						H				
10 and 600 kPa	0.1 and 6 bar	1.45 and 87 psi						M				
40 and 2400 kPa	0.4 and 24 bar	5.8 and 348 psi						P				
134 and 8000 kPa	1.34 and 80 bar	19.4 and 1160 psi						Q				
267 and 16000 kPa	2.67 and 160 bar	38.7 and 2320 psi						S				
Diaphragm material / Fill fluid - 8 <sup>th</sup> character												
AISI 316 L ss	Silicone oil								R			
AISI 316 L ss	Inert fluid - Galden					(Note 1)			2			
AISI 316 L ss	Inert fluid - Halocarbon					(Note 1)			W			
Process connection (wetted parts) - 9 <sup>th</sup> character												
Direct mount seal	(one seal to be quoted separately)									M		
Housing material and electrical connection - 10 <sup>th</sup> character												
Aluminium alloy ( barrel version)	1/2 – 14 NPT											A
Aluminium alloy ( barrel version)	M20 x 1.5 (CM 20)											B
Aluminium alloy ( barrel version)	Harting Han 8D connector					(general purpose only)		(Note 2)				E
Aluminium alloy ( barrel version)	Fieldbus connector					(general purpose only)		(Note 2)				G
AISI 316 L ss ( barrel version)	1/2 – 14 NPT											S
AISI 316 L ss ( barrel version)	M20 x 1.5 (CM20)											T
AISI 316 L ss ( barrel version)	Fieldbus connector					(general purpose only)		(Note 2)				Z
Aluminium alloy (DIN version)	M20 x 1.5 (CM20)					(not Ex d or XP)						J
Aluminium alloy (DIN version)	Harting Han 8D connector					(general purpose only)		(Note 2)				K
Aluminium alloy (DIN version)	Fieldbus connector					(general purpose only)		(Note 2)				W
Output/Additional options - 11 <sup>th</sup> character												
Standard HART and 4 to 20 mA	No additional options							(Notes 5, 6)				L
Standard HART and 4 to 20 mA	Options requested by “Additional ordering code”							(Note 5)				7
Advanced HART and 4 to 20 mA (includes option R1)	No additional options							(Notes 5, 6)				H
Advanced HART and 4 to 20 mA (includes option R1)	Options requested by “Additional ordering code”							(Note 5)				1
PROFIBUS PA (includes option R1)	No additional options							(Notes 5, 6)				P
PROFIBUS PA (includes option R1)	Options requested by “Additional ordering code”							(Note 6)				2
FOUNDATION Fieldbus (includes option R1)	No additional options							(Notes 5, 6)				F
FOUNDATION Fieldbus (includes option R1)	Options requested by “Additional ordering code”							(Note 6)				3
HART and 4 to 20 mA Safety, certified to IEC 61508 (includes option R1)	No additional options							(Notes 5, 6)				T
HART and 4 to 20 mA Safety, certified to IEC 61508 (includes option R1)	Options requested by “Additional ordering code”							(Note 5)				8

## ADDITIONAL ORDERING INFORMATION for model 266NDH

Add one or more 2-digit code(s) after the basic ordering information to select all required options

	XX	XX	XX	XX
<b>Hazardous area certifications</b>				
ATEX Intrinsic Safety II 1 G and II 1/2 G Ex ia IIC T6/T5/T4; II 1 D Ex iaD 20 T85 °C and II 1/2D Ex iaD 21 T85 °C (Notes 3, 4)	E1			
ATEX Explosion Proof Group II Category 1/2 G Ex d IIC T6 and Group II Category 1/2 D Ex tD A21 IP67 T85 °C (Notes 3, 4, 5)	E2			
ATEX Type „N“ Group II Category 3 G Ex nL IIC T6/T5/T4 and Group II Category 3 D Ex tD A22 IP67 T85 °C (Notes 3, 4)	E3			
Combined ATEX - Intrinsic Safety, Explosion Proof and Type „N“ (Notes 3, 4, 5)	EW			
Combined ATEX - Intrinsic Safety and Explosion Proof (Notes 3, 4, 5)	E7			
Combined ATEX, FM Approvals (USA) and FM Approvals (Canada) (Notes 3, 4, 5)	EN			
FM Approvals (Canada) approval (Notes 3, 4, 5)	E4			
FM Approvals (USA) approval (Notes 3, 4, 5)	E6			
FM Approvals (USA and Canada) Intrinsic Safety (Notes 3, 4)	EA			
FM Approvals (USA and Canada) Explosion Proof (Notes 3, 4, 5)	EB			
FM Approvals (USA and Canada) Nonincendive (Notes 3, 4)	EC			
IECEX Intrinsic Safety Ex ia IIC T6/T5/T4; Ex iaD 20 T85 °C and Ex iaD 21 T85 °C; (Notes 3, 4)	E8			
IECEX Explosion Proof Ex d IIC T6 and Ex tD A21 IP67 T85 °C (Ta= -50 to +75 °C) (Notes 3, 4, 5)	E9			
IECEX Type „N“ Ex nL IIC T6/T5/T4 (Notes 3, 4)	ER			
Combined IECEX - Intrinsic Safety, Explosion Proof and Type „N“ (Notes 3, 4, 5)	EI			
Combined IECEX - Intrinsic Safety and Explosion Proof (Notes 3, 4, 5)	EH			
NEPSI Intrinsic Safety Ex ia IIC T4~T6, DIP A20TA, T4~T6 (Notes 3, 4)	EY			
NEPSI Explosion Proof Ex d IIC T6, DIP A21TA, T6 (Notes 3, 4, 5)	EZ			
NEPSI Type „N“ Ex nL IIC T4~T6, DIP A22TA, T6 (Notes 3, 4)	ES			
Combined NEPSI - Intrinsic Safety, Explosion Proof and Type „N“ (Notes 3, 4, 5)	EQ			
Combined NEPSI - Intrinsic Safety and Explosion Proof (Notes 3, 4, 5)	EP			
<b>Other hazardous area certifications (ONLY AS ALTERNATIVE TO BASIC CERTIFICATION CODE Ex)</b>				
GOST (Russia) Ex ia (Notes 3, 4)	W1			
GOST (Russia) Ex d (Notes 3, 4, 5)	W2			
GOST (Kazakhstan) Ex ia (Notes 3, 4)	W3			
GOST (Kazakhstan) Ex d (Notes 3, 4, 5)	W4			
Inmetro (Brazil) Ex ia (Notes 3, 4, 7)	W5			
Inmetro (Brazil) Ex d (Notes 3, 4, 5, 7)	W6			
Inmetro (Brazil) Ex nL (Notes 3, 4, 7)	W7			
Combined Inmetro (Brazil) - Intrinsic Safety, Explosion Proof and Type „N“ (Notes 3, 4, 5, 7)	W8			
GOST (Belarus) Ex ia (Notes 3, 4)	WF			
GOST (Belarus) Ex d (Notes 3, 4, 5)	WG			
Combined GOST (Belarus) - Intrinsic Safety and Explosion Proof (Notes 3, 4, 5)	WH			
Kosha (Korea) Intrinsic Safety Ex ia IIC T6, IP67 (Notes 3, 4, 7)	WM			
Kosha (Korea) Explosion Proof Ex d IIC T6, IP67 (Notes 3, 4, 5, 7)	WN			
Combined Kosha (Korea) - Intrinsic Safety and Explosion Proof (Notes 3, 4, 5, 7)	WP			
<b>Integral LCD</b>				
Digital LCD integral display (Note 7)	L1			
TTG (Through-The-Glass) digital LCD controlled display (Note 7)	L5			
Standard Digital LCD integral display (ONLY SELECTABLE WITH OUTPUT CODE 7)	L9			
<b>External non intrusive Z, S and WP pushbuttons</b>				
Transmitters with external pushbutton (ONLY SELECTABLE WITH OUTPUT CODE 7)				R1
<b>Surge</b>				
Surge/Transient Protector				S2



# Model 266DDH Differential

## Model 266HDH Gauge

## Model 266NDH Absolute

<b>ADDITIONAL ORDERING INFORMATION for model 266NDH</b>	<b>XX</b>	<b>XX</b>	<b>XX</b>	<b>XX</b>	<b>XX</b>
<b>Operating manual (up to 2 different selections allowed)</b>					
German (ONLY FOR HART and PROFIBUS VERSIONS)	M1				
Italian (ONLY FOR HART VERSION)	M2				
Spanish (ONLY FOR HART VERSION)	M3				
French (ONLY FOR HART VERSION)	M4				
English	M5				
Chinese (ONLY FOR HART VERSION)	M6				
Swedish (ONLY FOR HART VERSION)	M7				
Polish (ONLY FOR HART VERSION)	M9				
Portuguese (ONLY FOR HART VERSION)	MA				
Turkish (ONLY FOR HART VERSION)	MT				
<b>Plates language</b>					
German		T1			
Italian		T2			
Spanish		T3			
French		T4			
<b>Additional tag plate</b>					
Supplemental wired-on stainless steel plate				I1	
Tag and certification stainless steel plates and laser printing of tag				I2	
Tag, certification and supplemental wired-on stainless steel plates and laser printing of tag				I3	
<b>Configuration</b>					
Standard – Pressure = inH2O/ psi at 68 °F; Temperature = deg. F					N2
Standard – Pressure = inH2O/ psi at 39.2 °F; Temperature = deg. F					N3
Standard – Pressure = inH2O/ psi at 20 °C; Temperature = deg. C					N4
Standard – Pressure = inH2O/ psi at 4 °C; Temperature = deg. C					N5
Custom					N6
<b>Certificates (up to 2 different selections allowed)</b>					
Inspection certificate EN 10204–3.1 of calibration (9-point)					C1
Inspection certificate EN 10204–3.1 of helium leakage test of the sensor module					C4
Inspection certificate EN 10204–3.1 of the pressure test					C5
Certificate of compliance with the order EN 10204–2.1 of instrument design					C6
Printed record of configured data of transmitter					CG
PMI test of wetted parts					CT

ADDITIONAL ORDERING INFORMATION FOR MODEL 266NDH			XX	XX	XX	XX
<b>Approvals</b>						
GOST (Russia) without Ex	(NOT APPLICABLE WITH ANY HAZARDOUS AREA CERTIFICATION)		Y1			
GOST (Kazakhstan) without Ex	(NOT APPLICABLE WITH ANY HAZARDOUS AREA CERTIFICATION)		Y2			
GOST (Belarus) without Ex	(NOT APPLICABLE WITH ANY HAZARDOUS AREA CERTIFICATION)		Y4			
Chinese pattern without Ex	(NOT APPLICABLE WITH ANY HAZARDOUS AREA CERTIFICATION)		Y5			
DNV approval	(Note 7)		YA			
Lloyd approval (PENDING)	(Note 7)		YB			
Approval for Custody transfer (PENDING)	(Note 7)		YC			
<b>Material traceability</b>						
Certificate of compliance with the order EN 10204–2.1 of process wetted parts						H1
Inspection certificate EN 10204–3.1 of process wetted parts						H3
Test report EN 10204–2.2 of pressure bearing and process wetted parts						H4
<b>Connector</b>						
Fieldbus 7/8 in. (Recommended for FOUNDATION Fieldbus) - (supplied loose without mating female plug)		(Notes 4, 6)				U1
Fieldbus M12x1 (Recommended for PROFIBUS PA) - (supplied loose without mating female plug)		(Notes 4, 6)				U2
Harting Han 8D – straight entry - (supplied loose)		(Notes 3, 6)				U3
Harting Han 8D – angle entry - (supplied loose)		(Notes 3, 6)				U4

Note 1: Suitable for oxygen service

Note 2: Select type in additional ordering code

Note 3: Not available with Housing code G, Z, W

Note 4: Not available with Housing code E, K

Note 5: Not available with Housing code J, K, W

Note 6: Not available with Housing code A, B, S, T, J

Note 7: Not available with Output code 7

### Standard delivery items (can be differently specified by additional ordering code)

- General purpose (no electrical certification)
- No display, no surge protection
- Multilanguage short-form operating instruction manual and labels in english (metal nameplate; self-adhesive certification and tag)
- Configuration with kPa and deg. C units
- No test, inspection or material traceability certificates

### IMPORTANT REMARK FOR ALL MODELS

THE SELECTION OF SUITABLE WETTED PARTS AND FILLING FLUID FOR COMPATIBILITY WITH THE PROCESS MEDIA IS A CUSTOMER'S RESPONSIBILITY, IF NOT OTHERWISE NOTIFIED BEFORE MANUFACTURING.

### NACE COMPLIANCE INFORMATION

- (1) The materials of constructions comply with metallurgical recommendations of NACE MR0175/ISO 15156 for sour oil field production environments. As specific environmental limits may apply to certain materials, please consult latest standard for further details. AISI 316/316 L, Hastelloy C-276, Monel 400 also conform to NACE MR0103 for sour refining environments.
- (2) NACE MR-01-75 addresses bolting requirements in two classes:
  - Exposed bolts: bolts directly exposed to the sour environment or buried, encapsulated or anyway not exposed to atmosphere
  - Non exposed bolts: the bolting must not be directly exposed to sour environments and must be directly exposed to the atmosphere at all times.

266DDH bolting identified by "NACE" are in compliance with requirements of NACE MR0175 when considered "exposed bolting".

# Model 266DDH Differential

## Model 266HDH Gauge

## Model 266NDH Absolute

### BASIC ORDERING INFORMATION model S26RA Rotating flange diaphragm seals (flush and extended) to ASME B16.5

Select one character or set of characters from each category and specify complete catalog number.

BASE MODEL - 1 <sup>st</sup> to 5 <sup>th</sup> characters	S	2	6	R	A	X	XX	X	X	XX	X	X	X	X
Rotating flange diaphragm seal (Raised face flush and extended) to ASME B16.5														
<b>Transmitter Side of Connection</b> - 6 <sup>th</sup> character														
High pressure side						H								
Low pressure side						L								
<b>Mounting Flange Rating / Size</b> - 7 <sup>th</sup> and 8 <sup>th</sup> characters														
ASME CL 150 / 2 in.														
ASME CL 300 / 2 in.														
ASME CL 600 / 2 in.														
ASME CL 900-1500 / 2 in.														
ASME CL 150 / 3 in.														
ASME CL 300 / 3 in.														
ASME CL 600 / 3 in.														
ASME CL 900 / 3 in.														
ASME CL 1500 / 3 in.														
ASME CL 150 / 4 in.														
ASME CL 300 / 4 in.														
<b>Mounting Flange Material</b> - 9 <sup>th</sup> character														
Carbon steel														
AISI 316 ss														
<b>Extensions Length and Material</b> - 10 <sup>th</sup> character														
Flush														F
50 mm (2 in.)					AISI 316 L ss	(Note 1)								1
50 mm (2 in.)					Hastelloy C-276	(Note 1)								2
100 mm (4 in.)					AISI 316 L ss	(Note 1)								3
100 mm (4 in.)					Hastelloy C-276	(Note 1)								4
150 mm (6 in.)					AISI 316 L ss	(Note 1)								5
150 mm (6 in.)					Hastelloy C-276	(Note 1)								6
<b>Diaphragm Material</b> - 11 <sup>th</sup> and 12 <sup>th</sup> characters														
AISI 316 L ss						(Note 2)		NACE						SM
AISI 316 L ss - Low thickness (not for extended diaphragm)						(Note 3)		NACE						SL
Hastelloy C-276								NACE						HM
Hastelloy C-276 - Low thickness (not for extended diaphragm)						(Note 3)		NACE						HL
Hastelloy C-2000 (not for extended diaphragm)						(Note 3)		NACE						MM
Hastelloy C-2000 diaphragm and body (not for extended diaphragm)						(Note 3)		NACE						ZM
Inconel 625 (not for extended diaphragm)						(Note 3)		NACE						LM
Tantalum (not for extended diaphragm)						(Note 3)								TM
AISI 316 L ss gold plated (not for extended diaphragm)						(Note 3)		NACE						NM
AISI 316 L ss with Teflon anti-stick coating						(Note 2)		NACE						KM
Hastelloy C-276 with Teflon anti-stick coating								NACE						YM
AISI 316 L ss with Teflon coating anti-corrosion and anti-stick						(Note 2)		NACE						WM
Diaflex (AISI with anti-abrasion treatment)						(Note 2)		NACE						FM
Superduplex ss (UNS S32750 to ASTM SA479) (not for extended diaphragm)						(Note 3)		NACE						EM

continued  
see next page

BASIC ORDERING INFORMATION model S26RA			S	2	R	A	X	XX	X	XX	X	X	X	X	X	X
<b>Seal Surface Finish</b> - 13 <sup>th</sup> character																
Serrated	(Note 4)	1														
Smooth	(Note 15)	2														
<b>Capillary Protection</b> - 14 <sup>th</sup> character																
AISI 316 L ss armour																
AISI 316 L ss armour with PVC protective cover																
Extension tube for direct mount seal	(Note 5)															
<b>Capillary Length m (Feet)</b> - 15 <sup>th</sup> character																
Direct-mount construction	(Note 6)															
1 (3)	(Note 7)															
1.5 (5)	(Note 7)															
2 (7)	(Note 7)															
2.5 (8)	(Note 7)															
3 (10)	(Note 7)															
3.5 (12)	(Note 7)															
4 (13)	(Note 7)															
4.5 (15)	(Note 7)															
5 (17)	(Note 7)															
5.5 (18)	(Note 7)															
6 (20)	(Note 7)															
6.5 (22)	(Note 7)															
7 (23.5)	(Note 7)															
7.5 (25)	(Note 7)															
8 (27)	(Note 7)															
9 (30)	(Note 7)															
10 (33)	(Note 7)															
12 (40)	(Note 7)															
14 (47)	(Note 7)															
16 (53)	(Note 7)															
<b>Fill Fluid</b> - 16 <sup>th</sup> character																
Silicone oil DC200 10 cSt	(-40 to 250 °C; -40 to 480 °F)															S
Silicone oil Baysilone PD5 5 cSt	(-85 to 250 °C; -121 to 480 °F)															P
Inert oil - Galden G5	(Oxygen service)	(Note 8)														N
Inert oil - Halocarbon 4.2	(Oxygen service)	(Note 8)														D
Silicone oil DC704	(-10 to 375 °C; 14 to 707 °F)															G
Silicone polymer Syltherm XLT	(-100 to 100 °C; -148 to 212 °F)															C
Mineral oil Esso Marcol 122	(FDA approved)	(Note 9)														W
Vegetable oil Neobee M-20	(FDA approved)	(Note 9)														A
Glycerin-water 70%	(FDA approved)	(Note 9)														B

continued  
see next page

# Model 266DDH Differential

## Model 266HDH Gauge

## Model 266NDH Absolute

BASIC ORDERING INFORMATION model S26RA			S	2	6	R	A	XX	XX	XX	XX	XX	XX	XX	X	X	X
<b>Flushing Ring: Hole and Thread</b> - 17 <sup>th</sup> character																	
None (TO BE SELECTED FOR EXTENDED VERSIONS)															N		
1 hole - 1/2 in. NPT		(Note 3)													2		
2 holes - 1/2 in. NPT		(Note 3)													3		
1 hole - 1/4 in. NPT		(Note 3)													4		
2 holes - 1/4 in. NPT		(Note 3)													5		
<b>Flushing Ring Material</b> - 18 <sup>th</sup> character																	
None		(Note 10)														N	
AISI 316 L ss		(Note 11)								NACE						A	
Hastelloy C-276		(Notes 11, 12)								NACE						H	
<b>Flushing Ring: Plug and Gasket</b> - 19 <sup>th</sup> character																	
No plug - No gasket																	N
No plug - garlock		(Note 11)															A
No plug - PTFE		(Note 11)															B
No plug - graphite		(Note 11)															C
AISI 316 L ss - no gasket		(Notes 11, 13)								NACE							D
AISI 316 L ss - garlock		(Notes 11, 13)								NACE							E
AISI 316 L ss - PTFE		(Notes 11, 13)								NACE							F
AISI 316 L ss - graphite		(Notes 11, 13)								NACE							G
Hastelloy C-276 - no gasket		(Notes 11, 14)								NACE							H
Hastelloy C-276 - garlock		(Notes 11, 14)								NACE							L
Hastelloy C-276 - PTFE		(Notes 11, 14)								NACE							M
Hastelloy C-276 - graphite		(Notes 11, 14)								NACE							P

- Note 1: Not available with mounting flange rating code E3, E5, G3, G4, G5
- Note 2: Not available with extensions length and material code 2, 4, 6
- Note 3: Not available with extensions length and material code 1, 2, 3, 4, 5, 6
- Note 4: Not available with diaphragm material code MM, LM, TM, NM, KM, YM, WM
- Note 5: Not available with transmitter side of connection code L
- Note 6: Not available with capillary protection code A, B
- Note 7: Not available with capillary protection code N
- Note 8: Suitable for oxygen service
- Note 9: Suitable for food application
- Note 10: Not available with Flushing ring: hole and thread code 2, 3, 4, 5
- Note 11: Not available with Flushing ring: hole and thread code N
- Note 12: Not available with Seal surface finish code 1
- Note 13: Not available with Hastelloy C-276 flushing ring material code H
- Note 14: Not available with AISI 316 L flushing ring material code A
- Note 15: Not available with diaphragm material code ZM

**BASIC ORDERING INFORMATION model S26RE Rotating flange diaphragm seals (flush and extended) to EN 1092-1**

Select one character or set of characters from each category and specify complete catalog number.

BASE MODEL - 1 <sup>st</sup> to 5 <sup>th</sup> characters				S	2	R	E	X	XX	X	X	XX	X	X	X	X	
Rotating flange diaphragm seal (flush and extended) to EN 1092-1																	
<b>Transmitter Side of Connection</b> - 6 <sup>th</sup> character																	
High pressure side								H									
Low pressure side								L									
<b>Mounting Flange Rating / Size</b> - 7 <sup>th</sup> and 8 <sup>th</sup> characters																	
PN 16 - 40 / DN 50										N2							
PN 63 / DN 50										N3							
PN 100 / DN 50										N4							
PN 16 / DN 80										P1							
PN 40 / DN 80										P2							
PN 63 / DN 80										P3							
PN 100 / DN 80										P4							
PN 16 / DN 100										Q1							
PN 40 / DN 100										Q2							
<b>Mounting Flange Material</b> - 9 <sup>th</sup> character																	
Carbon steel																	
AISI 316 ss																	
<b>Extensions Length and Material</b> - 10 <sup>th</sup> character																	
Flush																	F
50 mm (2in)		AISI 316 L ss	(Note 1)														1
50 mm (2in)		Hastelloy C-276	(Note 1)														2
100 mm (4in)		AISI 316 L ss	(Note 1)														3
100 mm (4in)		Hastelloy C-276	(Note 1)														4
150 mm (6 in)		AISI 316 L ss	(Note 1)														5
150 mm (6 in)		Hastelloy C-276	(Note 1)														6
<b>Diaphragm Material</b> - 11 <sup>th</sup> and 12 <sup>th</sup> characters																	
AISI 316 L ss				(Note 2)						NACE							SM
AISI 316 L ss - Low thickness (not for extended diaphragm)				(Note 3)						NACE							SL
Hastelloy C-276										NACE							HM
Hastelloy C-276 - Low thickness (not for extended diaphragm)				(Note 3)						NACE							HL
Hastelloy C-2000 (not for extended diaphragm)				(Note 3)						NACE							MM
Inconel 625 (not for extended diaphragm)				(Note 3)						NACE							LM
Tantalum (not for extended diaphragm)				(Note 3)													TM
AISI 316 L ss gold plated (not for extended diaphragm)				(Note 3)						NACE							NM
AISI 316 L ss with Teflon anti-stick coating				(Note 2)						NACE							KM
Hastelloy C-276 with Teflon anti-stick coating										NACE							YM
AISI 316 L ss with Teflon coating anti-corrosion and anti-stick				(Note 2)						NACE							WM
Diaflex (AISI with anti-abrasion treatment)				(Note 2)						NACE							FM
Superduplex ss (UNS S32750 to ASTM SA479) (not for extended diaphragm)				(Note 3)						NACE							EM

continued  
see next page

# Model 266DDH Differential

## Model 266HDH Gauge

## Model 266NDH Absolute

BASIC ORDERING INFORMATION model S26RE		S	2	6	R	E	X	X	X	X	X	X	X	X
<b>Seal Surface Finish</b> - 13 <sup>th</sup> character														
Serrated	(Note 4)													
Smooth														
<b>Capillary Protection</b> - 14 <sup>th</sup> character														
AISI 316 L ss armour														
AISI 316 L ss armour with PVC protective cover														
Extension tube for direct mount seal	(Note 5)													
<b>Capillary Length m (Feet)</b> - 15 <sup>th</sup> character														
Direct-mount construction	(Note 6)													
1 (3)	(Note 7)													
1.5 (5)	(Note 7)													
2 (7)	(Note 7)													
2.5 (8)	(Note 7)													
3 (10)	(Note 7)													
3.5 (12)	(Note 7)													
4 (13)	(Note 7)													
4.5 (15)	(Note 7)													
5 (17)	(Note 7)													
5.5 (18)	(Note 7)													
6 (20)	(Note 7)													
6.5 (22)	(Note 7)													
7 (23.5)	(Note 7)													
7.5 (25)	(Note 7)													
8 (27)	(Note 7)													
9 (30)	(Note 7)													
10 (33)	(Note 7)													
12 (40)	(Note 7)													
14 (47)	(Note 7)													
16 (53)	(Note 7)													
<b>Fill Fluid</b> - 16 <sup>th</sup> character														
Silicone oil DC200 10 cSt	(-40 to 250 °C; -40 to 480 °F)													S
Silicone oil Baysilone PD5 5 cSt	(-85 to 250 °C; -121 to 480 °F)													P
Inert oil - Galden G5	(Oxygen service)	(Note 8)												N
Inert oil - Halocarbon 4.2	(Oxygen service)	(Note 8)												D
Silicone oil DC704	(-10 to 375 °C; 14 to 707 °F)													G
Silicone polymer Syltherm XLT	(-100 to 100 °C; -148 to 212 °F)													C
Mineral oil Esso Marcol 122	(FDA approved)	(Note 9)												W
Vegetable oil Neobee M-20	(FDA approved)	(Note 9)												A
Glycerin-water 70%	(FDA approved)	(Note 9)												B

continued  
see next page

**BASIC ORDERING INFORMATION model S26RE**

S 2 6 R E X XX X X XX X X X X X X X X X X X X X

**Flushing Ring: Hole and Thread - 17<sup>th</sup> character**

None (TO BE SELECTED FOR EXTENDED VERSIONS)				N		
1 hole - 1/2 in. NPT	(Note 3)			2		
2 holes - 1/2 in. NPT	(Note 3)			3		
1 hole - 1/4 in. NPT	(Note 3)			4		
2 holes - 1/4 in. NPT	(Note 3)			5		

**Flushing Ring Material - 18<sup>th</sup> character**

None	(Note 10)					N
AISI 316 L ss	(Note 11)		NACE			A
Hastelloy C-276	(Notes 11, 12)		NACE			H

**Flushing Ring: Plug and Gasket - 19<sup>th</sup> character**

No plug - No gasket							N
No plug - garlock	(Note 11)						A
No plug - PTFE	(Note 11)						B
No plug - graphite	(Note 11)						C
AISI 316 L ss - no gasket	(Notes 11, 13)		NACE				D
AISI 316 L ss - garlock	(Notes 11, 13)		NACE				E
AISI 316 L ss - PTFE	(Notes 11, 13)		NACE				F
AISI 316 L ss - graphite	(Notes 11, 13)		NACE				G
Hastelloy C-276 - no gasket	(Notes 11, 14)		NACE				H
Hastelloy C-276 - garlock	(Notes 11, 14)		NACE				L
Hastelloy C-276 - PTFE	(Notes 11, 14)		NACE				M
Hastelloy C-276 - graphite	(Notes 11, 14)		NACE				P

- Note 1: Not available with mounting flange rating code N3, N4, P3, P4
- Note 2: Not available with extensions length and material code 2, 4, 6
- Note 3: Not available with extensions length and material code 1, 2, 3, 4, 5, 6
- Note 4: Not available with diaphragm material code MM, LM, TM, NM, KM, YM, WM
- Note 5: Not available with transmitter side of connection code L
- Note 6: Not available with capillary protection code A, B
- Note 7: Not available with capillary protection code N
- Note 8: Suitable for oxygen service
- Note 9: Suitable for food application
- Note 10: Not available with Flushing ring: hole and thread code 2, 3, 4, 5
- Note 11: Not available with Flushing ring: hole and thread code N
- Note 12: Not available with Seal surface finish code 1
- Note 13: Not available with Hastelloy C-276 flushing ring material code H
- Note 14: Not available with AISI 316 L flushing ring material code A



# Model 266DDH Differential

## Model 266HDH Gauge

## Model 266NDH Absolute

### BASIC ORDERING INFORMATION model S26RJ Rotating flange diaphragm seals (flush) to JIS

Select one character or set of characters from each category and specify complete catalog number.

<b>BASE MODEL</b> - 1 <sup>st</sup> to 5 <sup>th</sup> characters	S 2 6 R J	X	XX	X	X	XX	X	X	X	X	X	X	X	X
Rotating flange diaphragm seal (flush) to JIS														
<b>Transmitter Side of Connection</b> - 6 <sup>th</sup> character														
High pressure side														
Low pressure side														
<b>Mounting Flange Rating / Size</b> - 7 <sup>th</sup> and 8 <sup>th</sup> characters														
10K / A50														
20K / A50														
40K / A50														
10K / A80														
20K / A80														
40K / A80														
10K / A100														
20K / A100														
<b>Mounting Flange Material</b> - 9 <sup>th</sup> character														
Carbon steel														
AISI 316 ss														
<b>Extensions Length</b> - 10 <sup>th</sup> character														
Flush														
<b>Diaphragm Material</b> - 11 <sup>th</sup> and 12 <sup>th</sup> characters														
AISI 316 L ss														
Hastelloy C-276														
Hastelloy C-2000														
Inconel 625														
Tantalum														
AISI 316 L ss gold plated														
AISI 316 L ss with Teflon anti-stick coating														
Hastelloy C-276 with Teflon anti-stick coating														
AISI 316 L ss with Teflon coating anti-corrosion and anti-stick														
Superduplex ss (UNS S32750 to ASTM SA479)														
<b>Seal Surface Finish</b> - 13 <sup>th</sup> character														
Serrated														1
Smooth														2
<b>Capillary Protection</b> - 14 <sup>th</sup> character														
AISI 316 L ss armour														A
AISI 316 L ss armour with PVC protective cover														B
Extension tube for direct mount seal														N

continued  
see next page

BASIC ORDERING INFORMATION model S26RJ			S	2	6	R	J	X	X	X	X	X	X	X	X	X	X	X
<b>Capillary Length m (Feet)</b> - 15 <sup>th</sup> character																		
Direct-mount construction	(Note 3)																	
1 (3)	(Note 4)																	
1.5 (5)	(Note 4)																	
2 (7)	(Note 4)																	
2.5 (8)	(Note 4)																	
3 (10)	(Note 4)																	
3.5 (12)	(Note 4)																	
4 (13)	(Note 4)																	
4.5 (15)	(Note 4)																	
5 (17)	(Note 4)																	
5.5 (18)	(Note 4)																	
6 (20)	(Note 4)																	
6.5 (22)	(Note 4)																	
7 (23.5)	(Note 4)																	
7.5 (25)	(Note 4)																	
8 (27)	(Note 4)																	
9 (30)	(Note 4)																	
10 (33)	(Note 4)																	
12 (40)	(Note 4)																	
14 (47)	(Note 4)																	
16 (53)	(Note 4)																	
<b>Fill Fluid</b> - 16 <sup>th</sup> character																		
Silicone oil DC200 10 cSt	(-40 to 250 °C; -40 to 480 °F)																	S
Silicone oil Baysilone PD5 5 cSt	(-85 to 250 °C; -121 to 480 °F)																	P
Inert oil - Galden G5	(Oxygen service)	(Note 5)																N
Inert oil - Halocarbon 4.2	(Oxygen service)	(Note 5)																D
Silicone oil DC704	(-10 to 375 °C; 14 to 707 °F)																	G
Silicone polymer Syltherm XLT	(-100 to 100 °C; -148 to 212 °F)																	C
Mineral oil Esso Marcol 122	(FDA approved)	(Note 6)																W
Vegetable oil Neobee M-20	(FDA approved)	(Note 6)																A
Glycerin-water 70%	(FDA approved)	(Note 6)																B
<b>Flushing Ring: Hole and Thread</b> - 17 <sup>th</sup> character																		
None																		N
<b>Flushing Ring Material</b> - 18 <sup>th</sup> character																		
None																		N
<b>Flushing Ring: Plug and Gasket</b> - 19 <sup>th</sup> character																		
None																		N

Note 1: Not available with diaphragm material code HM, MM, LM, TN, NM, KM, YM, WM  
Note 2: Not available with transmitter side of connection code L  
Note 3: Not available with capillary protection code A, B  
Note 4: Not available with capillary protection code N  
Note 5: Suitable for oxygen service  
Note 6: Suitable for food application

# Model 266DDH Differential

## Model 266HDH Gauge

## Model 266NDH Absolute

### BASIC ORDERING INFORMATION model S26RR Rotating flange diaphragm seals (flush) - Ring Joint

Select one character or set of characters from each category and specify complete catalog number.

<b>BASE MODEL</b> - 1 <sup>st</sup> to 5 <sup>th</sup> characters	<b>S 2 6 R R</b>	<b>X</b>	<b>XX</b>	<b>X</b>	<b>X</b>	<b>XX</b>	<b>X</b>	<b>X</b>	<b>X</b>	<b>X</b>	<b>X</b>	<b>X</b>	<b>X</b>	<b>X</b>
Rotating flange diaphragm seal (flush) Ring Joint to ASME B16.5														
<b>Transmitter Side of Connection</b> - 6 <sup>th</sup> character														
High pressure side														
Low pressure side														
<b>Mounting Flange Rating / Size</b> - 7 <sup>th</sup> and 8 <sup>th</sup> characters														
ASME CL 150 / 1 1/2 in.														
ASME CL 300 / 1 1/2 in.														
ASME CL 600 / 1 1/2 in.														
ASME CL 900-1500 / 1 1/2 in.														
ASME CL 2500 / 1 1/2 in.														
ASME CL 150 / 2 in.														
ASME CL 300 / 2 in.														
ASME CL 600 / 2 in.														
ASME CL 900-1500 / 2 in.														
ASME CL 2500 / 2 in.														
ASME CL 150 / 3 in.														
ASME CL 300 / 3 in.														
ASME CL 600 / 3 in.														
ASME CL 900 / 3 in.														
ASME CL 1500 / 3 in.														
ASME CL 2500 / 3 in.														
<b>Mounting Flange Material</b> - 9 <sup>th</sup> character														
Carbon steel														
AISI 316 ss														
<b>Extensions Length</b> - 10 <sup>th</sup> character														
Flush														
<b>Diaphragm Material</b> - 11 <sup>th</sup> and 12 <sup>th</sup> characters														
AISI 316 L ss														
Hastelloy C-276														
Inconel 625														
<b>Seal Surface Finish</b> - 13 <sup>th</sup> character														
Ring joint														3
<b>Capillary Protection</b> - 14 <sup>th</sup> character														
AISI 316 L ss armour														A
AISI 316 L ss armour with PVC protective cover														B
Extension tube for direct mount seal (Note 1)														N

continued  
see next page

BASIC ORDERING INFORMATION model S26RR		S	2	6	R	R	X	X	X	X	X	X	X	X	X
<b>Capillary Length m (Feet)</b> - 15 <sup>th</sup> character															
Direct-mount construction	(Note 2)														
1 (3)	(Note 3)														
1.5 (5)	(Note 3)														
2 (7)	(Note 3)														
2.5 (8)	(Note 3)														
3 (10)	(Note 3)														
3.5 (12)	(Note 3)														
4 (13)	(Note 3)														
4.5 (15)	(Note 3)														
5 (17)	(Note 3)														
5.5 (18)	(Note 3)														
6 (20)	(Note 3)														
6.5 (22)	(Note 3)														
7 (23.5)	(Note 3)														
7.5 (25)	(Note 3)														
8 (27)	(Note 3)														
9 (30)	(Note 3)														
10 (33)	(Note 3)														
12 (40)	(Note 3)														
14 (47)	(Note 3)														
16 (53)	(Note 3)														
<b>Fill Fluid</b> - 16 <sup>th</sup> character															
Silicone oil DC200 10 cSt	(-40 to 250 °C; -40 to 480 °F)														S
Silicone oil Baysilone PD5 5 cSt	(-85 to 250 °C; -121 to 480 °F)														P
Inert oil - Galden G5	(Oxygen service)	(Note 4)													N
Inert oil - Halocarbon 4.2	(Oxygen service)	(Note 4)													D
Silicone oil DC704	(-10 to 375 °C; 14 to 707 °F)														G
Silicone polymer Syltherm XLT	(-100 to 100 °C; -148 to 212 °F)														C
Mineral oil Esso Marcol 122	(FDA approved)	(Note 5)													W
Vegetable oil Neobee M-20	(FDA approved)	(Note 5)													A
Glycerin-water 70%	(FDA approved)	(Note 5)													B
<b>Flushing Ring: Hole and Thread</b> - 17 <sup>th</sup> character															
None															N
<b>Flushing Ring Material</b> - 18 <sup>th</sup> character															
None															N
<b>Flushing Ring: Plug and Gasket</b> - 19 <sup>th</sup> character															
None															N

Note 1: Not available with transmitter side of connection code L  
Note 2: Not available with capillary protection code A, B  
Note 3: Not available with capillary protection code N  
Note 4: Suitable for oxygen service  
Note 5: Suitable for food application

# Model 266DDH Differential

# Model 266HDH Gauge

# Model 266NDH Absolute

## BASIC ORDERING INFORMATION model S26FA Fixed flange diaphragm seals (flush) to ASME B16.5

Select one character or set of characters from each category and specify complete catalog number.

<b>BASE MODEL</b> - 1 <sup>st</sup> to 5 <sup>th</sup> characters	S	2	6	F	A	X	XX	X	X	XX	X	X	X	X
Fixed flange diaphragm seal (flush) to ASME B16.5														
<b>Transmitter Side of Connection</b> - 6 <sup>th</sup> character														
High pressure side						H								
Low pressure side						L								
<b>Mounting Flange Rating / Size</b> - 7 <sup>th</sup> and 8 <sup>th</sup> characters														
ASME CL 150 / 2 in.							E1							
ASME CL 300 / 2 in.							E2							
ASME CL 600 / 2 in.							E3							
ASME CL 150 / 3 in.							G1							
ASME CL 300 / 3 in.							G2							
ASME CL 600 / 3 in.							G3							
ASME CL 150 / 4 in.							H1							
<b>Mounting Flange Material</b> - 9 <sup>th</sup> character														
AISI 316 L ss								S						
<b>Extensions Length</b> - 10 <sup>th</sup> character														
Flush									F					
<b>Diaphragm Material</b> - 11 <sup>th</sup> and 12 <sup>th</sup> characters														
AISI 316 L ss							NACE						SM	
AISI 316 L ss - Low thickness							NACE						SL	
Hastelloy C-276							NACE						HM	
Hastelloy C-276 - Low thickness							NACE						HL	
Hastelloy C-2000							NACE						MM	
Inconel 625							NACE						LM	

continued  
see next page

BASIC ORDERING INFORMATION model S26FA		S 2 6 F A X XX X X XX	X	X	X	X	X	X	X
<b>Seal Surface Finish</b> - 13 <sup>th</sup> character									
Serrated	(Note 1)		1						
Smooth			2						
<b>Capillary Protection</b> - 14 <sup>th</sup> character									
AISI 316 L ss armour							A		
AISI 316 L ss armour with PVC protective cover							B		
Extension tube for direct mount seal	(Note 2)						N		
<b>Capillary Length m (Feet)</b> - 15 <sup>th</sup> character									
Direct-mount construction	(Note 3)						1		
1 (3)	(Note 4)						A		
1.5 (5)	(Note 4)						B		
2 (7)	(Note 4)						C		
2.5 (8)	(Note 4)						D		
3 (10)	(Note 4)						E		
3.5 (12)	(Note 4)						F		
4 (13)	(Note 4)						G		
4.5 (15)	(Note 4)						H		
5 (17)	(Note 4)						J		
5.5 (18)	(Note 4)						K		
6 (20)	(Note 4)						L		
6.5 (22)	(Note 4)						M		
7 (23.5)	(Note 4)						N		
7.5 (25)	(Note 4)						P		
8 (27)	(Note 4)						Q		
9 (30)	(Note 4)						R		
10 (33)	(Note 4)						S		
12 (40)	(Note 4)						T		
14 (47)	(Note 4)						U		
16 (53)	(Note 4)						V		
<b>Fill Fluid</b> - 16 <sup>th</sup> character									
Silicone oil DC200 10 cSt	(-40 to 250 °C; -40 to 480 °F)							S	
Silicone oil Baysilone PD5 5 cSt	(-85 to 250 °C; -121 to 480 °F)							P	
Inert oil - Galden G5	(Oxygen service)	(Note 5)						N	
Inert oil - Halocarbon 4.2	(Oxygen service)	(Note 5)						D	
Silicone oil DC704	(-10 to 375 °C; 14 to 707 °F)							G	
Silicone polymer Syltherm XLT	(-100 to 100 °C; -148 to 212 °F)							C	
Mineral oil Esso Marcol 122	(FDA approved)	(Note 6)						W	
Vegetable oil Neobee M-20	(FDA approved)	(Note 6)						A	
Glycerin-water 70%	(FDA approved)	(Note 6)						B	

continued  
see next page

# Model 266DDH Differential

## Model 266HDH Gauge

## Model 266NDH Absolute

BASIC ORDERING INFORMATION model S26FA		S	2	6	F	A	X	XX	X	XX	XX	XX	X	X	X
<b>Flushing Ring: Hole and Thread</b> - 17 <sup>th</sup> character															
None														N	
1 hole - 1/2 in. NPT														2	
2 holes - 1/2 in. NPT														3	
1 hole - 1/4 in. NPT														4	
2 holes - 1/4 in. NPT														5	
<b>Flushing Ring Material</b> - 18 <sup>th</sup> character															
None	(Note 7)														N
AISI 316 L ss	(Note 8)									NACE					A
Hastelloy C-276	(Notes 8, 9)									NACE					H
<b>Flushing Ring: Plug and Gasket</b> - 19 <sup>th</sup> character															
No plug - No gasket															N
No plug - garlock	(Note 8)														A
No plug - PTFE	(Note 8)														B
No plug - graphite	(Note 8)														C
AISI 316 L ss - no gasket	(Notes 8, 10)									NACE					D
AISI 316 L ss - garlock	(Notes 8, 10)									NACE					E
AISI 316 L ss - PTFE	(Notes 8, 10)									NACE					F
AISI 316 L ss - graphite	(Notes 8, 10)									NACE					G
Hastelloy C-276 - no gasket	(Notes 8, 11)									NACE					H
Hastelloy C-276 - garlock	(Notes 8, 11)									NACE					L
Hastelloy C-276 - PTFE	(Notes 8, 11)									NACE					M
Hastelloy C-276 - graphite	(Notes 8, 11)									NACE					P

Note 1: Not available with diaphragm material code MM, LM  
 Note 2: Not available with transmitter side of connection code L  
 Note 3: Not available with capillary protection code A, B  
 Note 4: Not available with capillary protection code N  
 Note 5: Suitable for oxygen service  
 Note 6: Suitable for food application  
 Note 7: Not available with Flushing ring: hole and thread code 2, 3, 4, 5  
 Note 8: Not available with Flushing ring: hole and thread code N  
 Note 9: Not available with Seal surface finish code 1  
 Note 10: Not available with Hastelloy C-276 flushing ring material code H  
 Note 11: Not available with AISI 316 L flushing ring material code A

**BASIC ORDERING INFORMATION model S26FE Fixed flange diaphragm seals (flush) to EN 1092-1**

Select one character or set of characters from each category and specify complete catalog number.

<b>BASE MODEL</b> - 1 <sup>st</sup> to 5 <sup>th</sup> characters	S	2	6	F	E	X	XX	X	X	XX	X	X	X	X
Fixed flange diaphragm seal (flush) to EN 1092-1														
<b>Transmitter Side of Connection</b> - 6 <sup>th</sup> character														
High pressure side						H								
Low pressure side						L								
<b>Mounting Flange Rating / Size</b> - 7 <sup>th</sup> and 8 <sup>th</sup> characters														
PN 16 / DN 50							N1							
PN 40 / DN 50							N2							
PN 63 / DN 50							N3							
PN 100 / DN 50							N4							
PN 16 / DN 80							P1							
PN 40 / DN 80							P2							
PN 63 / DN 80							P3							
PN 100 / DN 80							P4							
PN 16 / DN 100							Q1							
<b>Mounting Flange Material</b> - 9 <sup>th</sup> character														
AISI 316 L ss								S						
<b>Extensions Length</b> - 10 <sup>th</sup> character														
Flush									F					
<b>Diaphragm Material</b> - 11 <sup>th</sup> and 12 <sup>th</sup> characters														
AISI 316 L ss							NACE						SM	
AISI 316 L ss - Low thickness (not for extended diaphragm)							NACE						SL	
Hastelloy C-276							NACE						HM	
Hastelloy C-276 - Low thickness (not for extended diaphragm)							NACE						HL	
Hastelloy C-2000 (not for extended diaphragm)							NACE						MM	
Inconel 625 (not for extended diaphragm)							NACE						LM	

continued  
see next page



# Model 266DDH Differential

## Model 266HDH Gauge

## Model 266NDH Absolute

<b>BASIC ORDERING INFORMATION model S26FE</b>		<b>S</b>	<b>2</b>	<b>6</b>	<b>F</b>	<b>E</b>	<b>X</b>	<b>XX</b>	<b>X</b>	<b>XX</b>	<b>X</b>	<b>X</b>	<b>X</b>	<b>X</b>	<b>X</b>	<b>X</b>	
<b>Seal Surface Finish</b> - 13 <sup>th</sup> character																	
Serrated	(Note 1)																1
Smooth																	2
Form E - Spigot type	(Note 2)																4
Form D - Groove type	(Note 3)																6
<b>Capillary Protection</b> - 14 <sup>th</sup> character																	
AISI 316 L ss armour																	A
AISI 316 L ss armour with PVC protective cover																	B
Extension tube for direct mount seal	(Note 4)																N
<b>Capillary Length m (Feet)</b> - 15 <sup>th</sup> character																	
Direct-mount construction	(Note 5)																1
1 (3)	(Note 6)																A
1.5 (5)	(Note 6)																B
2 (7)	(Note 6)																C
2.5 (8)	(Note 6)																D
3 (10)	(Note 6)																E
3.5 (12)	(Note 6)																F
4 (13)	(Note 6)																G
4.5 (15)	(Note 6)																H
5 (17)	(Note 6)																J
5.5 (18)	(Note 6)																K
6 (20)	(Note 6)																L
6.5 (22)	(Note 6)																M
7 (23.5)	(Note 6)																N
7.5 (25)	(Note 6)																P
8 (27)	(Note 6)																Q
9 (30)	(Note 6)																R
10 (33)	(Note 6)																S
12 (40)	(Note 6)																T
14 (47)	(Note 6)																U
16 (53)	(Note 6)																V
<b>Fill Fluid</b> - 16 <sup>th</sup> character																	
Silicone oil DC200 10 cSt	(-40 to 250 °C; -40 to 480 °F)																S
Silicone oil Baysilone PD5 5 cSt	(-85 to 250 °C; -121 to 480 °F)																P
Inert oil - Galden G5	(Oxygen service)															(Note 7)	N
Inert oil - Halocarbon 4.2	(Oxygen service)															(Note 7)	D
Silicone oil DC704	(-10 to 375 °C; 14 to 707 °F)																G
Silicone polymer Syltherm XLT	(-100 to 100 °C; -148 to 212 °F)																C
Mineral oil Esso Marcol 122	(FDA approved)															(Note 8)	W
Vegetable oil Neobee M-20	(FDA approved)															(Note 8)	A
Glycerin-water 70%	(FDA approved)															(Note 8)	B

continued  
see next page



# Model 266DDH Differential

## Model 266HDH Gauge

## Model 266NDH Absolute

### BASIC ORDERING INFORMATION model S26MA Off-line flange diaphragm seals

Select one character or set of characters from each category and specify complete catalog number.

BASE MODEL - 1 <sup>st</sup> to 5 <sup>th</sup> characters	S	2	M	A	X	XX	X	XX	X	X	X	X	X
Off-line flange diaphragm seal to ASME B16.5													
<b>Transmitter Side of Connection</b> - 6 <sup>th</sup> character													
High pressure side					H								
Low pressure side					L								
<b>Mounting Flange Rating / Size</b> - 7 <sup>th</sup> and 8 <sup>th</sup> characters													
ASME CL 150 / 1/2 in.													A1
ASME CL 300 / 1/2 in.													A2
ASME CL 150 / 1 in.													C1
ASME CL 300 / 1 in.													C2
ASME CL 150 / 1 1/2 in.													D1
ASME CL 300 / 1 1/2 in.													D2
<b>Mounting Flange Material / Seat Form</b> - 9 <sup>th</sup> character													
AISI 316 ss / Form RF (raised face) - serrated finish				NACE		(Note 6)							S
Hastelloy C-276 / Form RF (raised face) - serrated finish				NACE		(Note 6)							H
Hastelloy C-2000 / Form RF (raised face) - serrated finish				NACE		(Note 7)							Y
<b>Diaphragm Material</b> - 10 <sup>th</sup> and 11 <sup>th</sup> characters													
AISI 316 L ss				NACE									SM
Hastelloy C-276				NACE									HM
Hastelloy C-2000				NACE									MM
Hastelloy C-2000 diaphragm and body				NACE									ZM
Inconel 625				NACE									LM
Tantalum													TM
AISI 316 L ss gold plated				NACE									NM
<b>Capillary Protection</b> - 12 <sup>th</sup> character													
AISI 316 L ss armour													A
AISI 316 L ss armour with PVC protective cover													B
Extension tube for direct mount seal						(Note 1)							N

continued  
see next page

BASIC ORDERING INFORMATION model S26MA			S	2	M	A	X	XX	X	XX	X	X	X	X	
<b>Capillary Length m (Feet)</b> - 13 <sup>th</sup> character															
Direct-mount construction	(Note 2)											1			
1 (3)	(Note 3)											A			
1.5 (5)	(Note 3)											B			
2 (7)	(Note 3)											C			
2.5 (8)	(Note 3)											D			
3 (10)	(Note 3)											E			
3.5 (12)	(Note 3)											F			
4 (13)	(Note 3)											G			
4.5 (15)	(Note 3)											H			
5 (17)	(Note 3)											J			
5.5 (18)	(Note 3)											K			
6 (20)	(Note 3)											L			
6.5 (22)	(Note 3)											M			
7 (23.5)	(Note 3)											N			
7.5 (25)	(Note 3)											P			
8 (27)	(Note 3)											Q			
9 (30)	(Note 3)											R			
10 (33)	(Note 3)											S			
12 (40)	(Note 3)											T			
<b>Fill Fluid</b> - 14 <sup>th</sup> character															
Silicone oil DC200 10 cSt	(-40 to 250 °C; -40 to 480 °F)												S		
Silicone oil Baysilone PD5 5 cSt	(-85 to 250 °C; -121 to 480 °F)												P		
Inert oil - Galden G5	(Oxygen service)	(Note 4)											N		
Inert oil - Halocarbon 4.2	(Oxygen service)	(Note 4)											D		
Silicone oil DC704	(-10 to 375 °C; 14 to 707 °F)												G		
Silicone polymer Syltherm XLT	(-100 to 100 °C; -148 to 212 °F)												C		
Mineral oil Esso Marcol 122	(FDA approved)	(Note 5)											W		
Vegetable oil Neobee M-20	(FDA approved)	(Note 5)											A		
Glycerin-water 70%	(FDA approved)	(Note 5)											B		
<b>Flushing Connections</b> - 15 <sup>th</sup> character															
Not required														1	
Provided (2 off)														Q	
<b>Gasket</b> - 16 <sup>th</sup> character															
PTFE														2	
Viton™		(Note 6)												3	
Graphite		(Note 6)												7	

Note 1: Not available with transmitter side of connection code L  
Note 2: Not available with capillary protection code A, B  
Note 3: Not available with capillary protection code N  
Note 4: Suitable for oxygen service  
Note 5: Suitable for food application  
Note 6: Not available with diaphragm material code ZM  
Note 7: Not available with diaphragm material code SM, HM, MM, LM, TM, NM

# Model 266DDH Differential

## Model 266HDH Gauge

## Model 266NDH Absolute

### BASIC ORDERING INFORMATION model S26ME Off-line flange diaphragm seals

Select one character or set of characters from each category and specify complete catalog number.

BASE MODEL - 1 <sup>st</sup> to 5 <sup>th</sup> characters	S	2	6	M	E	X	XX	X	XX	X	X	X	X
Off-line flange diaphragm seal to EN 1092-1													
<b>Transmitter Side of Connection</b> - 6 <sup>th</sup> character													
High pressure side						H							
Low pressure side						L							
<b>Mounting Flange Rating / Size</b> - 7 <sup>th</sup> and 8 <sup>th</sup> characters													
PN 16 - 40 / DN 25								L2					
PN 16 - 40 / DN 40								M2					
<b>Mounting Flange Material / Seat Form</b> - 9 <sup>th</sup> character													
AISI 316 ss / Form B1 - serrated finish				NACE						S			
Hastelloy C-276 / Form B1 - serrated finish				NACE						H			
<b>Diaphragm Material</b> - 10 <sup>th</sup> and 11 <sup>th</sup> characters													
AISI 316 L ss				NACE							SM		
Hastelloy C-276				NACE							HM		
Hastelloy C-2000				NACE							MM		
Inconel 625				NACE							LM		
Tantalum											TM		
AISI 316 L ss gold plated				NACE							NM		
<b>Capillary Protection</b> - 12 <sup>th</sup> character													
AISI 316 L ss armour												A	
AISI 316 L ss armour with PVC protective cover													B
Extension tube for direct mount seal (Note 1)													N

continued  
see next page

BASIC ORDERING INFORMATION model S26ME			S	2	6	E	X	XX	X	XX	X	X	X	X	
<b>Capillary Length m (Feet)</b> - 13 <sup>th</sup> character															
Direct-mount construction	(Note 2)											1			
1 (3)	(Note 3)											A			
1.5 (5)	(Note 3)											B			
2 (7)	(Note 3)											C			
2.5 (8)	(Note 3)											D			
3 (10)	(Note 3)											E			
3.5 (12)	(Note 3)											F			
4 (13)	(Note 3)											G			
4.5 (15)	(Note 3)											H			
5 (17)	(Note 3)											J			
5.5 (18)	(Note 3)											K			
6 (20)	(Note 3)											L			
6.5 (22)	(Note 3)											M			
7 (23.5)	(Note 3)											N			
7.5 (25)	(Note 3)											P			
8 (27)	(Note 3)											Q			
9 (30)	(Note 3)											R			
10 (33)	(Note 3)											S			
12 (40)	(Note 3)											T			
<b>Fill Fluid</b> - 14 <sup>th</sup> character															
Silicone oil DC200 10 cSt	(-40 to 250 °C; -40 to 480 °F)												S		
Silicone oil Baysilone PD5 5 cSt	(-85 to 250 °C; -121 to 480 °F)												P		
Inert oil - Galden G5	(Oxygen service)	(Note 4)											N		
Inert oil - Halocarbon 4.2	(Oxygen service)	(Note 4)											D		
Silicone oil DC704	(-10 to 375 °C; 14 to 707 °F)												G		
Silicone polymer Syltherm XLT	(-100 to 100 °C; -148 to 212 °F)												C		
Mineral oil Esso Marcol 122	(FDA approved)	(Note 5)											W		
Vegetable oil Neobee M-20	(FDA approved)	(Note 5)											A		
Glycerin-water 70%	(FDA approved)	(Note 5)											B		
<b>Flushing Connections</b> - 15 <sup>th</sup> character															
Not required														1	
Provided														Q	
<b>Gasket</b> - 16 <sup>th</sup> character															
PTFE														2	
Viton™														3	
Graphite														7	

Note 1: Not available with transmitter side of connection code L  
Note 2: Not available with capillary protection code A, B  
Note 3: Not available with capillary protection code N  
Note 4: Suitable for oxygen service  
Note 5: Suitable for food application

# Model 266DDH Differential

## Model 266HDH Gauge

## Model 266NDH Absolute

### BASIC ORDERING INFORMATION model S26TT Off-line threaded diaphragm seals

Select one character or set of characters from each category and specify complete catalog number.

BASE MODEL - 1 <sup>st</sup> to 5 <sup>th</sup> characters	S	2	6	T	T	X	X	X	X	XX	X	X	X	X
Off-line threaded diaphragm seal														
<b>Transmitter Side of Connection</b> - 6 <sup>th</sup> character														
High pressure side														
Low pressure side														
<b>Size</b> - 7 <sup>th</sup> character														
1/4 in. NPT-f														
1/2 in. NPT-f														
3/4 in. NPT-f														
1 in. NPT-f														
1 1/2 in. NPT-f														
<b>Bolts material</b> - 8 <sup>th</sup> character														
AISI 316 ss														
Carbon steel														
Alloy steel														
<b>Mounting Flange Material</b> - 9 <sup>th</sup> character														
AISI 316 ss														
Hastelloy C-276														
<b>Diaphragm Material</b> - 10 <sup>th</sup> and 11 <sup>th</sup> characters														
AISI 316 L ss														
Hastelloy C-276														
Hastelloy C-2000														
Inconel 625														
Tantalum														
AISI 316 L ss gold plated														
<b>Capillary Protection</b> - 12 <sup>th</sup> character														
AISI 316 L ss armour														A
AISI 316 L ss armour with PVC protective cover														B
Extension tube for direct mount seal (Note 1)														N

continued  
see next page

**BASIC ORDERING INFORMATION model S26TT**

**S 2 6 T T X XX X XX X X X X**

<b>Capillary Length m (Feet) - 13<sup>th</sup> character</b>			X	X	X	X
Direct-mount construction	(Note 2)		1			
1 (3)	(Note 3)		A			
1.5 (5)	(Note 3)		B			
2 (7)	(Note 3)		C			
2.5 (8)	(Note 3)		D			
3 (10)	(Note 3)		E			
3.5 (12)	(Note 3)		F			
4 (13)	(Note 3)		G			
4.5 (15)	(Note 3)		H			
5 (17)	(Note 3)		J			
5.5 (18)	(Note 3)		K			
6 (20)	(Note 3)		L			
6.5 (22)	(Note 3)		M			
7 (23.5)	(Note 3)		N			
7.5 (25)	(Note 3)		P			
8 (27)	(Note 3)		Q			
9 (30)	(Note 3)		R			
10 (33)	(Note 3)		S			
12 (40)	(Note 3)		T			
<b>Fill Fluid - 14<sup>th</sup> character</b>						
Silicone oil DC200 10 cSt	(-40 to 250 °C; -40 to 480 °F)				S	
Silicone oil Baysilone PD5 5 cSt	(-85 to 250 °C; -121 to 480 °F)				P	
Inert oil - Galden G5	(Oxygen service)	(Note 4)			N	
Inert oil - Halocarbon 4.2	(Oxygen service)	(Note 4)			D	
Silicone oil DC704	(-10 to 375 °C; 14 to 707 °F)				G	
Silicone polymer Syltherm XLT	(-100 to 100 °C; -148 to 212 °F)				C	
Mineral oil Esso Marcol 122	(FDA approved)	(Note 5)			W	
Vegetable oil Neobee M-20	(FDA approved)	(Note 5)			A	
Glycerin-water 70%	(FDA approved)	(Note 5)			B	
<b>Flushing Connections - 15<sup>th</sup> character</b>						
Not required						1
Provided (2 off)		(Note 6)				Q
<b>Gasket - 16<sup>th</sup> character</b>						
PTFE						2
Viton™						3
Graphite						7

Note 1: Not available with transmitter side of connection code L  
 Note 2: Not available with capillary protection code A, B  
 Note 3: Not available with capillary protection code N  
 Note 4: Suitable for oxygen service  
 Note 5: Suitable for food application  
 Note 6: Not available with size code 5



# Model 266DDH Differential

## Model 266HDH Gauge

## Model 266NDH Absolute

### BASIC ORDERING INFORMATION model S26SS Sanitary and food diaphragm seals

Select one character or set of characters from each category and specify complete catalog number.

BASE MODEL - 1 <sup>st</sup> to 5 <sup>th</sup> characters	S	2	6	S	S	X	X	XX	X	X	X	X	X
Sanitary and food diaphragm seal													
<b>Transmitter Side of Connection</b> - 6 <sup>th</sup> character													
High pressure side						H							
Low pressure side						L							
<b>Mounting connection</b> - 7 <sup>th</sup> character													
Union nut DIN 11851 – F50 (not 3-A authorized)													
Union nut DIN 11851 – F80 (not 3-A authorized)													
2 in. Triclamp													
3 in. Triclamp													
4 in. Triclamp													
2 in. Cherry Burrell													
3 in. Cherry Burrell													
4 in. Cherry Burrell													
4 in. Sanitary flush diaphragm													
4 in. Sanitary extended (2 in.) diaphragm													
4 in. Sanitary extended (4 in.) diaphragm													
4 in. Sanitary extended (6 in.) diaphragm													
4in Cherry Burrell aseptic - ONLY REMOTE MOUNT													
4in aseptic flanged connection - ONLY REMOTE MOUNT													
Beverage application bolted seal (not 3-A authorized) - ONLY DIRECT MOUNT WITH 266HDH, 266NDH													
<b>Diaphragm Material</b> - 8 <sup>th</sup> and 9 <sup>th</sup> characters													
AISI 316 L ss													SM
<b>Capillary Protection</b> - 10 <sup>th</sup> character													
AISI 316 L ss armour (Note 1)													A
AISI 316 L ss armour with PVC protective cover (Note 1)													B
Extension tube for direct mount seal (Note 2)													N
<b>Capillary Length m (Feet)</b> - 11 <sup>th</sup> character													
Direct-mount construction (Note 3)													1
1 (3) (Note 4)													A
1.5 (5) (Note 4)													B
2 (7) (Note 4)													C
2.5 (8) (Note 4)													D
3 (10) (Note 4)													E
3.5 (12) (Note 4)													F
4 (13) (Note 4)													G
4.5 (15) (Note 4)													H
5 (17) (Note 4)													J
5.5 (18) (Note 4)													K
6 (20) (Note 4)													L
6.5 (22) (Note 4)													M
7 (23.5) (Note 4)													N
7.5 (25) (Note 4)													P
8 (27) (Note 4)													Q
9 (30) (Note 4)													R
10 (33) (Note 4)													S

continued  
see next page

BASIC ORDERING INFORMATION model S26SS			S	2	S	S	X	X	XX	XX	X	X	X
<b>Fill Fluid</b> - 12th character													
Silicone oil DC200 10 cSt	(-40 to 250 °C; -40 to 480 °F)		S										
Inert oil - Halocarbon 4.2	(-40 to 250 °C; -40 to 480 °F)	(Note 5)	D										
Silicone polymer Syltherm XLT	(-100 to 100 °C; -148 to 212 °F)		C										
Mineral oil Esso Marcol 122	(FDA approved)	(Note 6)	W										
Vegetable oil Neobee M-20	(FDA approved)	(Note 6)	A										
Glycerin-water 70%	(FDA approved)	(Note 6)	B										
<b>Clamp/Fittings</b> - 13th character													
None												1	
2 in. V-band Clamp (for 2 in. Triclamp)												A	
3 in. V-band Clamp (for 3 in. Triclamp)												B	
4 in. V-band Clamp (for 4 in. Triclamp, 4 in. Cherry Burrell, 4 in. Sanitary flush and 4 in. aseptic flanged)												C	
4 in. Tank spud, tank wall up to 4.7mm (0.18) and 4 in. V-band Clamp (for 4 in. Sanitary flush seal)												D	
4 in. Tank spud, tank wall up to 9.5mm (0.37) and 4 in. V-band Clamp (for 4 in. Sanitary flush seal)												E	
4 in. schedule 5 V-band clamp (for 4 in. Sanitary extended seal)												F	
Tank spud for 2 in. extension and 4 in. schedule 5 V-band clamp (for 4 in. Sanitary extended 2 in. seal)												G	
Tank spud for 4 in. extension and 4 in. schedule 5 V-band clamp (for 4 in. Sanitary extended 4 in. seal)												H	
Tank spud for 6 in. extension and 4 in. schedule 5 V-band clamp (for 4 in. Sanitary extended 6 in. seal)												J	
Aseptic tank spud (for 4 in. aseptic flanged seal)												P	
Flanged tank spud with 6 holes (for 1 1/2 in. beverage seal)												K	
<b>Gasket</b> - 14th character													
None													1
Ethylene propylene gasket DN100 (for 4 in. Sanitary extended seal) - (EPDM 3-A 18-03 Class II)													A
Ethylene propylene gasket (for 1 1/2 in. beverage seal)													B
Ethylene propylene gasket DN50 (for F50 Union nut seal)													C
Ethylene propylene gasket DN80 (for F80 Union nut seal)													D
Ethylene propylene gasket (for 4 in. Sanitary flush and 4 in. aseptic) - (EPDM 3-A 18-03 Class II)													G

Note 1: Not available with beverage bolted seal connection code T  
Note 2: Not available with transmitter side of connection code L  
Note 3: Not available with capillary protection code A, B  
Note 4: Not available with capillary protection code N  
Note 5: Suitable for oxygen service  
Note 6: Suitable for food application

# Model 266DDH Differential

## Model 266HDH Gauge

## Model 266NDH Absolute

### BASIC ORDERING INFORMATION model S26KN Pulp and paper diaphragm seals

Select one character or set of characters from each category and specify complete catalog number.

BASE MODEL - 1st to 5th characters	S	2	6	K	N	X	X	XX	X	X	X	X
Pulp and paper diaphragm seal						X	X					
<b>Transmitter Side of Connection</b> - 6 <sup>th</sup> character												
High pressure side												H
<b>Size / Mounting connection</b> - 7 <sup>th</sup> character												
1 in. pulp and paper seal - sealing with gaskets to spud (NOT AVAILABLE WITH SENSOR G AND S)												U
1 1/2 in. pulp and paper seal - sealing with gasket to spud (NOT AVAILABLE WITH SENSOR S)												K
1 in. pulp and paper seal with 1 in. NPT male threaded connection (NOT AVAILABLE WITH SENSOR G)												W
1 1/2 in. pulp and paper seal with 1 1/2 in. NPT male threaded connection												Z
1 in. pulp and paper seal with G 1 in. A male threaded connection (NOT AVAILABLE WITH SENSOR G)												1
1 1/2 in. pulp and paper seal with G 1 1/2 in. A male threaded connection												2
1 in. pulp and paper seal with ball valve connection (NOT AVAILABLE WITH SENSOR G AND S and 266NDH)												Y
1 1/2 in. pulp and paper seal - sealing with gasket to M44 threaded spud (NOT AVAILABLE WITH SENSOR S)												V
<b>Diaphragm Material</b> - 8 <sup>th</sup> and 9 <sup>th</sup> characters												
AISI 316 L ss (Note 1)												SL
Hastelloy C-276												HL
Diaflex (AISI with anti-abrasion treatment) (Note 1)												FL
<b>Capillary Protection</b> - 10 <sup>th</sup> character												
Extension tube for direct mount seal												N
<b>Capillary Length m (Feet)</b> - 11 <sup>th</sup> character												
Direct-mount construction												1
<b>Fill Fluid</b> - 12 <sup>th</sup> character												
Silicone oil DC200 10 cSt (-40 to 250 °C; -40 to 480 °F)												S
Mineral oil Esso Marcol 122 (FDA approved) (Note 5)												W
<b>Clamp/Fittings</b> - 13 <sup>th</sup> character												
Not required												N
Weld-on spud and fixing screw for 1 in. pulp & paper seal connection (Note 2)												C
Weld-on threaded spud for 1 1/2 in. pulp & paper seal connection (Note 3)												D
Weld-on spud and fixing screws for 1 1/2 in. pulp & paper seal connection (Note 4)												F

Note 1: Not available with connection code Y

Note 2: Suitable ONLY for 1 in. size - sealing with gaskets code U

Note 3: Suitable ONLY for 1-1/2 in. size to M44 threaded spud - sealing with gaskets code V

Note 4: Suitable ONLY for 1-1/2 in. size - sealing with gaskets code K

Note 5: Suitable for food application

**BASIC ORDERING INFORMATION model S26JN In-line diaphragm seals**

Select one character or set of characters from each category and specify complete catalog number.

<b>BASE MODEL</b> - 1st to 5th characters	<b>S 2 6 J N</b>	<b>X</b>	<b>X</b>	<b>XX</b>	<b>X</b>	<b>X</b>	<b>X</b>
In-line diaphragm seal							
<b>Transmitter Side of Connection</b> - 6th character							
High pressure side							
<b>Size / Mounting connection</b> - 7th character							
DN 25 / 1 in.							
DN 40 / 1 1/2 in.							
DN 50 / 2 in.							
DN 80 / 3 in.							
<b>Diaphragm Material</b> - 8th and 9th characters							
AISI 316 L ss							
Hastelloy C-276							
<b>Capillary Protection</b> - 10th character							
Extension tube for direct mount seal							
<b>Capillary Length m (Feet)</b> - 11th character							
Direct-mount construction							
<b>Fill Fluid</b> - 12th character							
Silicone oil DC200 10 cSt	(-40 to 250 °C; -40 to 480 °F)						S
Silicone oil Baysilone PD5 5 cSt	(-85 to 250 °C; -121 to 480 °F)						P
Inert oil - Galden G5	(Oxygen service)	(Note 1)					N
Inert oil - Halocarbon 4.2	(Oxygen service)	(Note 1)					D
Silicone oil DC704	(-10 to 375 °C; 14 to 707 °F)						G
Silicone polymer Syltherm XLT	(-100 to 100 °C; -148 to 212 °F)						C
Mineral oil Esso Marcol 122	(FDA approved)	(Note 2)					W
Vegetable oil Neobee M-20	(FDA approved)	(Note 2)					A
Glycerin-water 70%	(FDA approved)	(Note 2)					B

Note 1: Suitable for oxygen service  
 Note 2: Suitable for food application

# Model 266DDH Differential

# Model 266HDH Gauge

# Model 266NDH Absolute

## BASIC ORDERING INFORMATION model S26VN Socket and saddle diaphragm seals

Select one character or set of characters from each category and specify complete catalog number.

BASE MODEL - 1 <sup>st</sup> to 5 <sup>th</sup> characters	S	2	6	V	N	X	XX	X	X	X	X	X	X
Socket and saddle diaphragm seal													
<b>Transmitter Side of Connection</b> - 6 <sup>th</sup> character													
High pressure side							H						
Low pressure side							L						
<b>Diaphragm Material</b> - 7 <sup>th</sup> and 8 <sup>th</sup> characters													
AISI 316 L ss						NACE		SM					
Hastelloy C-276						NACE		HM					
Hastelloy C-2000						NACE		MM					
Inconel 625						NACE		LM					
Tantalum								TM					
AISI 316 L ss gold plated						NACE		NM					
Superduplex ss (UNS S32750 to ASTM SA479)						NACE		EM					
<b>Capillary Protection</b> - 9 <sup>th</sup> character													
AISI 316 L ss armour												A	
AISI 316 L ss armour with PVC protective cover													B
Extension tube for direct mount seal (Note 1)													N
<b>Capillary Length m (Feet)</b> - 10 <sup>th</sup> character													
Direct-mount construction (Note 2)													1
1 (3) (Note 3)													A
1.5 (5) (Note 3)													B
2 (7) (Note 3)													C
2.5 (8) (Note 3)													D
3 (10) (Note 3)													E
3.5 (12) (Note 3)													F
4 (13) (Note 3)													G
4.5 (15) (Note 3)													H
5 (17) (Note 3)													J

continued  
see next page

BASIC ORDERING INFORMATION model S26VN			S 2 6 V N X XX X	X	X	X
<b>Fill Fluid</b> - 11th character						
Silicone oil DC200 10 cSt	(-40 to 250 °C; -40 to 480 °F)		S			
Silicone oil Baysilone PD5 5 cSt	(-85 to 250 °C; -121 to 480 °F)		P			
Inert oil - Galden G5	(Oxygen service)	(Note 4)	N			
Inert oil - Halocarbon 4.2	(Oxygen service)	(Note 4)	D			
Silicone oil DC704	(-10 to 375 °C; 14 to 707 °F)		G			
Silicone polymer Syltherm XLT	(-100 to 100 °C; -148 to 212 °F)		C			
Mineral oil Esso Marcol 122	(FDA approved)	(Note 5)	W			
Vegetable oil Neobee M-20	(FDA approved)	(Note 5)	A			
Glycerin-water 70%	(FDA approved)	(Note 5)	B			
<b>Process Fitting Connections</b> - 12th character						
Not required					N	
Saddle 2 in.					1	
Saddle 2 1/2 in.					2	
Saddle 3 in.					3	
Saddle 4 in.					4	
Saddle 5 in.					5	
Saddle 6 in.					6	
Socket 1/2 in.					A	
Socket 3/4 in.					B	
Socket 1 in.					C	
Socket 1 1/2 in.					D	
Socket 2 in.					E	
<b>Gasket</b> - 13th character						
PTFE						2
Graphite						7

Note 1: Not available with transmitter side of connection code L

Note 2: Not available with capillary protection code A, B

Note 3: Not available with capillary protection code N

Note 4: Suitable for oxygen service

Note 5: Suitable for food application

™ Hastelloy C-276 is a Cabot Corporation trademark

™ Hastelloy C-2000 is an Haynes International trademark

™ Monel is an International Nickel Co. trademark

™ Viton is a Dupont de Nemour trademark

™ DC200 is a Dow Corning Corporation trademark

™ DC704 is a Dow Corning Corporation trademark

™ Galden is a Montefluos trademark

™ Halocarbon is a Halocarbon Products Co. trademark

™ Baysilone is a GE Bayer trademark

™ Neobee M-20 is a Stepan Company trademark

™ Esso Marcol 122 is a Esso Italiana trademark

™ Syltherm is a Dow Chemical Company trademark

# Contact us

## **ABB Ltd.**

### **Process Automation**

Howard Road  
St. Neots  
Cambridgeshire PE19 8EU  
UK  
Tel: +44 (0)1480 475321  
Fax: +44 (0)1480 217948

## **ABB Inc.**

### **Process Automation**

125 E. County Line Road  
Warminster  
PA 18974  
USA  
Tel: +1 215 674 6000  
Fax: +1 215 674 7183

## **ABB Automation Products GmbH**

### **Process Automation**

Schillerstr. 72  
32425 Minden  
Germany  
Tel: +49 551 905 534  
Fax: +49 551 905 555

## **ABB S.p.A.**

### **Process Automation**

Via Statale 113  
22016 Lenno (CO)  
Italy  
Tel: +39 0344 58111  
Fax: +39 0344 56278

[www.abb.com](http://www.abb.com)

## Note

We reserve the right to make technical changes or modify the contents of this document without prior notice. With regard to purchase orders, the agreed particulars shall prevail. ABB does not accept any responsibility whatsoever for potential errors or possible lack of information in this document.

We reserve all rights in this document and in the subject matter and illustrations contained therein. Any reproduction, disclosure to third parties or utilization of its contents - in whole or in parts - is forbidden without prior written consent of ABB.

Copyright© 2013 ABB  
All rights reserved

3KXP200017R1001



Sales



Service



Software