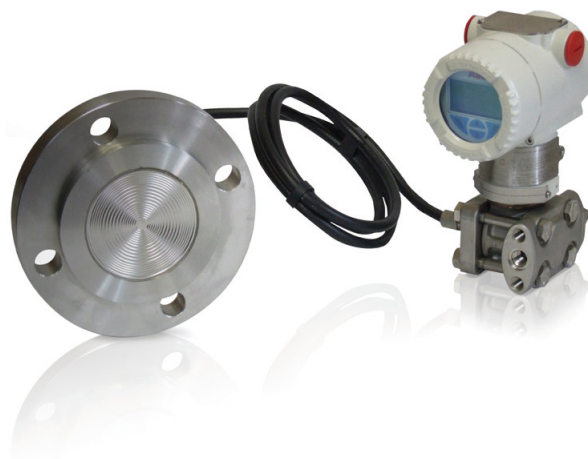


Model 266DRH Differential Model 266PRH and 266HRH Gauge Model 266VRH and 266NRH Absolute

Measurement made easy

Engineered solutions for all applications



Base accuracy

- from 0.06 % of calibrated span

Reliable sensing system coupled with very latest digital technologies

- provides large turn down ratio up to 60:1

Comprehensive sensor choice

- optimize in-use total performance and stability

Flexible configuration facilities

- provided locally via local LCD keypad

New TTG (Through-The-Glass) keypad technology

- allows quick and easy local configuration without opening the cover, even in explosion proof environments

IEC 61508 certification

- version for SIL2 (1oo1) and SIL3 (1oo2) applications

PED compliance to sound engineering practice (SEP)

Model 266DRH Differential Model 266PRH and 266HRH Gauge Model 266VRH and 266NRH Absolute

General description

Models detailed in this data sheet apply for those transmitters which include one or two remote seal(s) connected via a capillary to the transmitter sensor. Depending on the selected ordering code the following models are available:

a) model 266DRH which allows a differential measurement using either two remote seals of same type and size or one remote seal (on positive or negative side) and a standard threaded connection direct 1/4 – 18 NPT on flange or 1/2 – 14 NPT through adapter, for the wet or dry leg on the side opposite to seal.

b) models 266PRH or 266VRH allowing gauge or absolute measurement respectively with the reference side at atmosphere or at vacuum. The other side which can be the positive or negative (high or low pressure side) features the required remote seal.

Model 266HR or 266NR have the remote seal on the positive side and the user can select the suitable code for having the reference at atmospheric or vacuum pressure respectively for gauge or absolute measure. The following table list the types of standard seal which can be combined with 266xR transmitters. Refer to seal data sheet for all data and details relevant to seal element. All following data apply for identical characteristics of the two sides when the transmitter is differential with two seals.

Seal model	Seal type	Seal diaphragm size (thickness)	Mnemonic
S26WA S26WE	Wafer (ASME and EN standards)	1.5 in. /DN 40	P1.5
		2 in. / DN 50	P2
		3 in. / DN 80	P3
		1.5 in. /DN 40 (low)	F1.5
		2 in. / DN 50 (low)	F2
S26FA S26FE S26RA S26RE	Flanged flush diaphragm (ASME and EN standards; fixed and rotating flange)	3 in. / DN 80 (low)	F3
		2 in. / DN 50	P2
		3 in. / DN 80	P3
		4 in. / DN 100	P3
	Flanged extended diaphragm (ASME and EN standards; only rotating flange S26RA and S26RE)	2 in. / DN 50 (low)	F2
		3 in. / DN 80 (low)	F3
		4 in. / DN 100 (low)	F3
S26RJ	Flanged flush diaphragm (JIS standards; only rotating flange)	2 in. / DN 50	E2
		3 in. / DN 80	E3
		4 in. / DN 100	P3
S26RR	Flanged flush diaphragm (Ring Joint ASME standards; rotating flange)	A 50	P2
		A 80	P3
		A 100	P3
S26CN	Flanged flush diaphragm (Ring Joint ASME standards; rotating flange)	1.5 in.	P1.5
		2 in.	P2
		3 in.	P3
S26CN	Flanged Chemical Tee	3 in.	P3
S26TT	Threaded off-line flanged	2 1/2 in.	T 2.5
S26MA, S26ME	Off-line flanged (ASME and EN standards)	2 1/2 in.	T 2.5
S26SS	Union nut, Triclamp Cherry Burrel Sanitary, Aseptic	2 in. / F50	S2
		3 in. / F80	S3
		4 in.	S3
S26VN	Saddle and Socket	2 1/2 in.	P1.5
S26UN	Union connection type	1 1/2 in.	Z 1.5
S26BN	Button type	1 in.	B1
S26PN	Urea service flanged	1 1/2 in.	U1.5
		2 1/2 in.	U 2.5

Functional Specifications

Range and span limits

Sensor Code	Upper Range Limit (URL)	Lower Range Limit (LRL)					Minimum span
		266DRH differential	266PRH gauge	266VRH absolute	266HRH gauge	266NRH absolute	
B	4 kPa 40 mbar 16 inH2O	-4 kPa -40 mbar -16 inH2O					0.2 kPa 2 mbar 0.8 inH2O
E	16 kPa 160 mbar 64 inH2O	-16 kPa -160 mbar -64 inH2O	-16 kPa -160 mbar -64 inH2O	0.07 kPa abs (§) 0.7 mbar abs (§) 0.5 mmHg (§)			0.8 kPa 8 mbar 3.2 inH2O
F	40 kPa 400 mbar 160 inH2O	-40 kPa -400 mbar -160 inH2O	-40 kPa -400 mbar -160 inH2O	0.07 kPa abs (§) 0.7 mbar abs (§) 0.5 mmHg (§)			0.67 kPa 6.7 mbar 2.67 inH2O
G	65 kPa 650 mbar 260 inH2O	-65 kPa -650 mbar -260 inH2O	-65 kPa -650 mbar -260 inH2O	0.07 kPa abs (§) 0.7 mbar abs (§) 0.5 mmHg (§)	-65 kPa -650 mbar -260 inH2O	0.07 kPa abs (§) 0.7 mbar abs (§) 0.5 mmHg (§)	1.1kPa 11 mbar 4.35 inH2O
H	160 kPa 1600 mbar 642 inH2O	-160 kPa -1600 mbar -642 inH2O	0.07 kPa abs (§) 0.7 mbar abs (§) 0.5 mmHg (§)	0.07 kPa abs (§) 0.7 mbar abs (§) 0.5 mmHg (§)	0.07 kPa abs (§) 0.7 mbar abs (§) 0.5 mmHg (§)	0.07 kPa abs (§) 0.7 mbar abs (§) 0.5 mmHg (§)	2.67 kPa 26.7 mbar 10.7 inH2O
M	600 kPa 6 bar 87 psi	-600 kPa -6 bar -87 psi	0.07 kPa abs (§) 0.7 mbar abs (§) 0.5 mmHg (§)	0.07 kPa abs (§) 0.7 mbar abs (§) 0.5 mmHg (§)	0.07 kPa abs (§) 0.7 mbar abs (§) 0.5 mmHg (§)	0.07 kPa abs (§) 0.7 mbar abs (§) 0.5 mmHg (§)	10kPa 0.1 bar 1.45 psi
P	2400 kPa 24 bar 348 psi	-2400 kPa -24 bar -348 psi	0.07 kPa abs (§) 0.7 mbar abs (§) 0.5 mmHg (§)	0.07 kPa abs (§) 0.7 mbar abs (§) 0.5 mmHg (§)	0.07 kPa abs (§) 0.7 mbar abs (§) 0.5 mmHg (§)	0.07 kPa abs (§) 0.7 mbar abs (§) 0.5 mmHg (§)	40 kPa 0.4 bar 5.8 psi
Q	8000 kPa 80 bar 1160 psi	-8000 kPa -80 bar -1160 psi	0.07 kPa abs (§) 0.7 mbar abs (§) 0.5 mmHg (§)	0.07 kPa abs (§) 0.7 mbar abs (§) 0.5 mmHg (§)	0.07 kPa abs (§) 0.7 mbar abs (§) 0.5 mmHg (§)	0.07 kPa abs (§) 0.7 mbar abs (§) 0.5 mmHg (§)	134 kPa 1.34 bar 19.4 psi
S	16000 kPa 160 bar 2320 psi	-16000 kPa -160 bar -2320 psi	0.07 kPa abs (§) 0.7 mbar abs (§) 0.5 mmHg (§)	0.07 kPa abs (§) 0.7 mbar abs (§) 0.5 mmHg (§)	0.07 kPa abs (§) 0.7 mbar abs (§) 0.5 mmHg (§)	0.07 kPa abs (§) 0.7 mbar abs (§) 0.5 mmHg (§)	267 kPa 2.67 bar 38.7 psi
V	60000 kPa 600 bar 8700 psi				0.07 kPa abs (§) 0.7 mbar abs (§) 0.5 mmHg (§)		1000 kPa 10 bar 145 psi

(§) Lower Range Limit is 0.135 kPa abs, 1.35 mbar abs, 1 mmHg for inert Galden or 0.4 kPa abs, 4 mbar abs, 3 mmHg for inert Halocarbon.

Span limits

Maximum span = URL (can be further adjusted up to \pm URL (TD = 0.5) for differential models, within the range limits)
IT IS RECOMMENDED TO SELECT THE TRANSMITTER SENSOR CODE PROVIDING THE TURNDOWN VALUE AS LOWEST AS POSSIBLE TO OPTIMIZE PERFORMANCE CHARACTERISTICS.

Zero suppression and elevation

Zero and span can be adjusted to any value within the range limits detailed in the table as long as:
— calibrated span \geq minimum span

Damping

Selectable time constant : between 0 and 60 s
This is in addition to sensor response time.

Turn on time

Operation within specification in less than 10 s with minimum damping.

Insulation resistance

> 100 M Ω at 500 V DC (terminals to earth)

Model 266DRH Differential Model 266PRH and 266HRH Gauge Model 266VRH and 266NRH Absolute

Operative limits

REFER ALSO TO S26X DATA SHEET FOR POSSIBLE FURTHER LIMITATION DUE TO SEAL VARIANTS

Pressure limits:

Overpressure limits

Without damage to the transmitter

Models 266DRH, 266PRH, 266VRH	Fill fluid	Overpressure limits
Sensor F to S	Silicone oil	0.07 kPa abs, 0.7 mbar abs, 0.5 mmHg and 21 MPa, 210 bar, 3045 psi ⁽¹⁾
Sensor F to Q 266DRH High Static	Silicone oil	0.07 kPa abs, 0.7 mbar abs, 0.5 mmHg and 42 MPa, 420 bar, 6090 psi
Sensor E	Silicone oil	0.07 kPa abs, 0.7 mbar abs, 0.5 mmHg and 16 MPa, 160 bar, 2320 psi
Sensor B	Silicone oil	0.07 kPa abs, 0.7 mbar abs, 0.5 mmHg and 7 MPa, 70 bar, 1015 psi
Sensor F to S	Inert (Galden)	0.135 kPa abs, 1.35 mbar abs, 1 mmHg and 21 MPa, 210 bar, 3045 psi ⁽¹⁾
Sensor E	Inert (Galden)	0.135 kPa abs, 1.35 mbar abs, 1 mmHg and 16 MPa, 160 bar, 2320 psi
Sensor F to S	Inert (Halocarbon)	0.4 kPa abs, 4 mbar abs, 3 mmHg and 21 MPa, 210 bar, 3045 psi ⁽¹⁾
Sensor F to Q 266DRH High Static	Inert (Halocarbon)	0.4 kPa abs, 4 mbar abs, 3 mmHg and 42 MPa, 420 bar, 6090 psi
Sensor E	Inert (Halocarbon)	0.4 kPa abs, 4 mbar abs, 3 mmHg and 16 MPa, 160 bar, 2320 psi

(1) 16 MPa, 160 bar, 2320 psi for AISI 316 ss NACE bolting

Models 266HRH and 266NRH	Fill fluid	Overpressure limits
Sensor P, Q, S	Silicone oil	0.07 kPa abs, 0.7 mbar abs, 0.5 mmHg and 21 MPa, 210 bar, 3045 psi
Sensor G, H, M	Silicone oil	0.07 kPa abs, 0.7 mbar abs, 0.5 mmHg and 14 MPa, 140 bar, 2030 psi
Sensor P, Q, S	Inert (Galden)	0.135 kPa abs, 1.35 mbar abs, 1 mmHg and 21 MPa, 210 bar, 3045 psi
Sensor G, H, M	Inert (Galden)	0.135 kPa abs, 1.35 mbar abs, 1 mmHg and 14 MPa, 140 bar, 2030 psi
Sensor P, Q, S	Inert (Halocarbon)	0.4 kPa abs, 4 mbar abs, 3 mmHg and 21 MPa, 210 bar, 3045 psi
Sensor G, H, M	Inert (Halocarbon)	0.4 kPa abs, 4 mbar abs, 3 mmHg and 14 MPa, 140 bar, 2030 psi
Sensor V	Silicone oil	0.07 kPa abs, 0.7 mbar abs, 0.5 mmHg and 90 MPa, 900 bar, 13050 psi

Static pressure limits

Transmitters for differential pressure model 266DRH operates within specifications between the following limits:

Sensors	Static pressure limits
Sensor F to S with 2 seals	0.07 kPa abs, 0.7 mbar abs, 0.5 mmHg and 21 MPa, 210 bar, 3045 psi ⁽¹⁾
Sensor F to Q 266DRH high static with 2 seals	0.07 kPa abs, 0.7 mbar abs, 0.5 mmHg and 21 MPa, 210 bar, 3045 psi ⁽¹⁾
Sensor F to S with 1 seal	1.3 kPa abs, 13 mbar abs, 0.2 psia and 21 MPa, 210 bar, 3045 psi ⁽¹⁾
Sensor E with 2 seals	0.07 kPa abs, 0.7 mbar abs, 0.5 mmHg and 16 MPa, 160 bar, 2320 psi
Sensor E with 1 seal	1.3 kPa abs, 13 mbar abs, 0.2 psia and 16 MPa, 160 bar, 2320 psi
Sensor B with 2 seals	0.07 kPa abs, 0.7 mbar abs, 0.5 mmHg and 7 MPa, 70 bar, 1015 psi
Sensor B with 1 seal	1.3 kPa abs, 13 mbar abs, 0.2 psia and 7 MPa, 70 bar, 1015 psi

(1) 16 MPa, 160 bar, 2320 psi for AISI 316 ss NACE bolting

Overpressure and static upper limit can be derated by the flange rating of seal; refer to relevant S26 data sheet

Proof pressure

The transmitter can be exposed without leaking to line pressure of up to

Model	Sensor	Proof pressure
266DRH	Sensor F to S	40.25 MPa, 402.5 bar, 5836 psi
	Sensor F to Q high static	77 MPa, 770 bar, 11165 psi
	Sensor E	31.5 MPa, 315 bar, 4567 psi
	Sensor B	14 MPa, 140 bar, 2030 psi
266PRH	Sensor F to S	40.25 MPa, 402.5 bar, 5836 psi
266VRH	Sensor E	31.5 MPa, 315 bar, 4567 psi
266HRH	Sensor G, H, M	28 MPa, 280 bar, 4060 psi
266NRH	Sensor P, Q, S	40.25 MPa, 402.5 bar, 5836 psi
266HRH	Sensor V	90 MPa, 900 bar, 13050 psi

or two times the flange rating of seal, whichever is less. Meet ANSI/ISA-S 82.03 hydrostatic test requirements.

Temperature limits °C (°F) :

Ambient

is the operating temperature

Models 266DRH, 266PRH, 266VRH	Ambient temperature limits
Silicone oil for sensor F to S	-40 and 85 °C (-40 and 185 °F)
Silicone oil for sensor B and E	-25 and 85 °C (-13 and 185 °F)
Inert (Galden) for sensor F to S	-20 and 85 °C (-4 and 185 °F)
Inert (Galden) for sensor E	-10 and 85 °C (14 and 185 °F)
Inert (Halocarbon) for sensor F to S	-20 and 85 °C (-4 and 185 °F)
Inert (Halocarbon) for sensor E	-10 and 85 °C (14 and 185 °F)

Model 266HRH - 266NRH	Ambient temperature limits
Silicone oil for sensor G to V	-40 and 85 °C (-40 and 185 °F)
Inert (Galden) for sensor G to S	-20 and 85 °C (-4 and 185 °F)
Inert (Halocarbon) for sensor G to S	-20 and 85 °C (-4 and 185 °F)

Models 266XRH	Ambient temperature limits
LCD integral display	-40 and 85 °C (-40 and 185 °F)

LCD display may not be clearly readable below -20 °C (-4 °F) or above +70 °C (+158 °F)

IMPORTANT

For Hazardous Atmosphere applications see the temperature range specified on the certificate/approval relevant to the aimed type of protection

Process

Model 266DRH (side without seal)	Process temperature limits
Silicone oil for sensor F to S	-40 and 121 °C (-40 and 250 °F) ⁽¹⁾
Silicone oil for sensor B and E	-25 and 121 °C (-13 and 250 °F) ⁽¹⁾
Inert (Galden) for sensor F to S	-20 and 100 °C (-4 and 212 °F) ⁽²⁾
Inert (Galden) for sensor E	-10 and 100 °C (14 and 212 °F) ⁽²⁾
Inert (Halocarbon) for sensor F to S	-20 and 100 °C (-4 and 212 °F) ⁽²⁾
Inert (Halocarbon) for sensor E	-10 and 100 °C (14 and 212 °F) ⁽²⁾
Viton gasket	-20 and 121 °C (-4 and 250 °F)

(1) 100 °C (212 °F) for application below atmospheric pressure

(2) 65 °C (150 °F) for application below atmospheric pressure

The following table show characteristics of fill fluids when used in transmitters with remote seal(s).

Fill fluid (application)	Process temperature and pressure limits			
	Tmax @ Pabs > of	Pmin mbar abs (mmHg)	Tmax @ Pmin	Tmin
Silicone oil DC 200 10 cSt	250 (480) @ 385 mbar	0.7 (0.5)	130 (266)	-40 (-40)
Silicone oil Baysilone PD5 5 cSt	250 (480) @ 900 mbar	0.7 (0.5)	45 (123)	-85 (-121)
Inert oil Galden G5 (oxygen service)	160 (320) @ 1 bar	2.1 (1.52)	60 (140)	-20 (-4)
Inert oil Halocarbon 4.2 (oxygen service)	180 (356) @ 425 mbar	4 (3)	70 (158)	-20 (-4)
Silicone polymer Syltherm XLT (cryogenic service)	100 (212) @ 118 mbar	2.1 (1.52)	20 (68)	-100 (-148)
Silicone oil DC 704 (high temperature)	375 (707) @ 1 bar	0.7 (0.5)	220 (428)	-10 (14)
Vegetable oil Neobee M-20 (food - sanitary) FDA approved	200 (390) @ 1 bar	10 (7.2)	20 (68)	-18 (0)
Mineral oil Esso Marcol 122 (food - sanitary) FDA approved	250 (480) @ 630 mbar	0.7 (0.5)	110 (230)	-6 (21)
Glycerin Water 70% (food - sanitary) FDA approved	93 (200) @ 1 bar	1000 (760)	93 (200)	-7 (20)

Flushing ring gasket material	Process limits		
	Pressure (max.)	Temperature	P x T
Garlock	6.9 MPa, 69 bar, 1000 psi	-73 and 204 °C (-100 and 400 °F)	250000 (°F x psi)
Graphite	2.5 MPa, 25 bar, 362 psi	-100 and 380 °C (-148 and 716 °F)	
PTFE	6 MPa, 60 bar, 870 psi	-100 and 250 °C (-148 and 482 °F)	

Storage

Models 266XRH	Storage temperature limits
Storage limits	-50 and 85 °C (-58 and 185 °F)
LCD integral display	-40 and 85 °C (-40 and 185 °F)

Model 266DRH Differential Model 266PRH and 266HRH Gauge Model 266VRH and 266NRH Absolute

Environmental limits

Electromagnetic compatibility (EMC)

Comply with EN 61326 and NAMUR NE 21 (option).
Surge immunity level (with surge protector): 4 kV
(according to IEC 1000-4-5 EN 61000-4-5)

Pressure equipment directive (PED)

Comply with 97/23/EEC following sound engineering practice (SEP).

Humidity

Relative humidity: up to 100 %
Condensing, icing: admissible

Vibration resistance

Accelerations up to 2 g at frequency up to 1000 Hz
(according to IEC 60068-2-6)

Shock resistance

Acceleration: 50 g
Duration: 11 ms
(according to IEC 60068-2-27)

Wet and dust-laden atmospheres

The transmitter is dust and sand tight and protected against immersion effects as defined by EN 60529 (1989) to IP 67 (IP 68 on request) or by NEMA to 4X or by JIS to C0920. IP65 with Harting Han connector.

Hazardous atmospheres

With or without integral display

INTRINSIC SAFETY:

ATEX Europe (code E1) approval

II 1 G Ex ia IIC T6/T5/T4 and II 1/2 G Ex ia IIC T6/T5/T4 and
II 1 D Ex iaD 20 T85 °C and II 1/2 D Ex iaD 21 T85 °C; IP67.

IECEx (code E8) approval

Ex ia IIC T6/T5/T4 and Ex iaD 20 T85 °C and Ex iaD 21 T85 °C; IP67.

NEPSI China (code EY)

Ex ia IIC T4~T6, DIP A20TA, T4~T6.

EXPLOSION PROOF:

ATEX Europe (code E2) approval

II 1/2 G Ex d IIC T6 and II 1/2 D Ex tD A21 IP67 T85 °C (Ta = -50 to +75 °C).

IECEx (code E9) approval

Ex d IIC T6 and Ex tD A21 IP67 T85 °C (Ta = -50 to +75 °C).

NEPSI China (code EZ)

Ex d IIC T6, DIP A21TA, T6.

TYPE "N":

ATEX Europe (code E3) type examination

II 3 G Ex nL IIC T6/T5/T4 and II 3 D Ex tD A22 IP67 T85 °C; IP67.

IECEx (code ER) type examination

Ex nL IIC T6/T5/T4; IP67.

NEPSI China (code ES) type examination

Ex nL IIC T4~T6, DIP A22TA, T6.

FM Approvals US (code E6) and FM Approvals Canada (code E4):

- Explosionproof (US): Class I, Div. 1, Groups A, B, C, D
- Explosionproof (Canada): Class I, Div. 1, Groups B, C, D
- Dust ignitionproof : Class II, Div. 1, Groups E, F, G
- Suitable for: Class II, Div. 2, Groups F, G; Class III, Div.1, 2
- Nonincendive: Class I, Div. 2, Groups A, B, C, D
- Intrinsically safe: Class I, II, III, Div. 1, Groups A, B, C, D, E, F, G

Class I, Zone 0 AEx ia IIC T6/T4, Zone 0 (FM US)

Class I, Zone 0 Ex ia IIC T6/T4, Zone 0 (FM Canada)

COMBINED ATEX (code EW = E1 + E2 + E3), (code E7 = E1 + E2)

COMBINED ATEX and FM Approvals (code EN = EW + E4 + E6)

COMBINED FM Approvals US and Canada

– Intrinsically safe (code EA)

– Explosionproof (code EB)

– Nonincendive (code EC)

COMBINED IEC (code EH = E8 + E9), (code EI = E8 + E9 + ER)

COMBINED NEPSI (code EP = EY + EZ), (code EQ = EY + EZ + ES)

GOST (Russia), GOST (Kazakhstan), GOST (Belarus), Inmetro (Brazil),
Kosha (Korea).

REFER TO CERTIFICATES FOR AMBIENT TEMPERATURE RANGES (WITHIN THE LIMITS OF -50 TO 85°C) RELATED TO THE DIFFERENT TEMPERATURE CLASSES

Electrical Characteristics and Options

Optional indicators

Standard integral display

(code L9; only available with Standard HART)

Wide screen LCD, 128 x 64 pixel, 52.5 x 27.2 mm (2.06 x 1.07 in.) dot matrix. Multilanguage. Without keypad. User selectable application-specific visualizations.

Totalized and instantaneous flow indication. Display may also indicate static pressure, sensor temperature and diagnostic messages and provides configuration facilities.



Integral display with integral keypad

(code L1; not available with Standard HART)

Wide screen LCD, 128 x 64 pixel, 52.5 x 27.2 mm (2.06 x 1.07 in.) dot matrix. Multilanguage.

Four keys for configuration and management of device.

Easy setup for quick commissioning.

User selectable application-specific visualizations.

Totalized and instantaneous flow indication.

Display may also indicate static pressure, sensor temperature and diagnostic messages and provides configuration facilities.



Integral display with Through-The-Glass (TTG) activated keypad (code L5; not available with Standard HART)

As above integral display but equipped with the innovative TTG keypad allowing the activation of the configuration and management menus of the device without the need of removing the transmitter housing cover.

TTG keypad is protected against accidental activations.



Standard and Advanced HART digital communication and 4 to 20 mA output

Power supply

The transmitter operates from 10.5 to 42 V DC with no load and is protected against reverse polarity connection (additional load allows operations over 42 V DC).

For Ex ia and other intrinsically safe approval power supply must not exceed 30 V DC. Minimum operating voltage increase to 12.3 V DC with optional surge protector

Ripple

20 mV max on a 250 Ω load as per HART specifications.

Load limitations

4 to 20 mA and HART total loop resistance :

$$R \text{ (k}\Omega\text{)} = \frac{\text{Supply voltage} - \text{min. operating voltage (V DC)}}{22 \text{ mA}}$$

A minimum of 250 Ω is required for HART communication.

Optional surge protection

Up to 4kV

- voltage 1.2 μs rise time / 50 μs delay time to half value
- current 8 μs rise time / 20 μs delay time to half value

Output signal

Two-wire 4 to 20 mA, user-selectable for linear or square root output, power of $\sqrt[3]{2}$ or $\sqrt[5]{2}$, square root for bidirectional flow, 22 points linearization table (i.e. for horizontal or spherical tank level measurement).

HART® communication provides digital process variable superimposed on 4 to 20 mA signal, with protocol based on Bell 202 FSK standard.

Output current limits (to NAMUR NE 43 standard)

Overload condition

- Lower limit: 3.8 mA (configurable from 3.8 to 4 mA)
- Upper limit: 20.5 mA (configurable from 20 to 21 mA)

Alarm current

- Lower limit: 3.6 mA (configurable from 3.6 to 4 mA)
- Upper limit: 21 mA (configurable from 20 to 22 mA)

Factory setting: high alarm current

Process diagnostics (PILD)

Plugged impulse line detection (PILD) generates a warning via HART communication. The device can also be configured to drive the analog output signal to the "Alarm current".

Model 266DRH Differential Model 266PRH and 266HRH Gauge Model 266VRH and 266NRH Absolute

FOUNDATION Fieldbus output

Device type

LINK MASTER DEVICE

Link Active Scheduler (LAS) capability implemented.

Manufacturer code: 000320 (hex)

Device type code: 0007 (hex)

Power supply

The transmitter operates from 9 to 32 V DC, polarity independent, with or without surge protector.

For Ex ia approval power supply must not exceed 24 V DC (entity certification) or 17.5 V DC (FISCO certification), according to FF-816.

Current consumption

operating (quiescent): 15 mA

fault current limiting: 20 mA max.

Output signal

Physical layer in compliance to IEC 1158-2/EN 61158-2 with transmission to Manchester II modulation, at 31.25 kbit/s.

Function blocks/execution period

3 enhanced Analog Input blocks/25 ms max (each)

1 enhanced PID block/40 ms max.

1 standard ARithmetic block/25 ms

1 standard Input Selector block/25 ms

1 standard Control Selector block/25 ms

1 standard Signal Characterization block/25 ms

1 standard Integrator/Totalizer block/25 ms

Additional blocks

1 enhanced Resource block,

1 custom Pressure with calibration transducer block

1 custom Advanced Diagnostics transducer block including
Plugged Input Line Detection

1 custom Local Display transducer block

Number of link objects

35

Number of VCRs

35

Output interface

FOUNDATION fieldbus digital communication protocol to standard H1, compliant to specification V. 1.7.

Transmitter failure mode

The output signal is “frozen” to the last valid value on gross transmitter failure condition, detected by self-diagnostics which also indicate a BAD conditions. If electronic failure or short circuit occur the transmitter consumption is electronically limited at a defined value (20 mA approx), for safety of the network.

PROFIBUS PA output

Device type

Pressure transmitter compliant to Profiles 3.0.1
Identification number: 3450 (hex)

Power supply

The transmitter operates from 9 to 32 V DC , polarity independent, with or without surge protector.
For Ex ia approval power supply must not exceed 17.5 V DC.
Intrinsic safety installation according to FISCO model.

Current consumption

operating (quiescent): 15 mA
fault current limiting: 20 mA max.

Output signal

Physical layer in compliance to IEC 1158-2/EN 61158-2 with transmission to Manchester II modulation, at 31.25 kbit/s.

Output interface

PROFIBUS PA communication according to Profibus DP50170 Part 2/DIN 19245 part 1-3.

Output update time

25 ms

Data blocks

3 analog input, 1 physical.

Additional blocks

1 Pressure with calibration transducer block
1 Advanced Diagnostics transducer block including Plugged Input Line Detection
1 Local Display transducer block

Transmitter failure mode

On gross transmitter failure condition, detected by self-diagnostics, the output signal can be driven to defined conditions, selectable by the user as safe, last valid or calculated value.

If electronic failure or short circuit occur the transmitter consumption is electronically limited at a defined value (20 mA approx), for safety of the network.

Model 266DRH Differential Model 266PRH and 266HRH Gauge Model 266VRH and 266NRH Absolute

Performance specifications

Stated at reference condition to IEC 60770 ambient temperature of 20 °C (68 °F), relative humidity of 65 %, atmospheric pressure of 1013 hPa (1013 mbar), mounting position with vertical diaphragm and zero based range for transmitter with isolating diaphragms in AISI 316 L ss or Hastelloy and silicone oil fill and HART digital trim values equal to 4 mA and to 20 mA span end points, in linear mode. Unless otherwise specified, errors are quoted as % of span. Some performance referring to the Upper Range Limit are affected by the actual turndown (TD) as ratio between Upper Range Limit (URL) and calibrated span. IT IS RECOMMENDED TO SELECT THE TRANSMITTER SENSOR CODE PROVIDING THE TURNDOWN VALUE AS LOWEST AS POSSIBLE TO OPTIMIZE PERFORMANCE CHARACTERISTICS.

Accuracy rating

% of calibrated span, including combined effects of terminal based linearity, hysteresis and repeatability. For fieldbus versions SPAN refer to analog input function block outscale range

Model	Sensor	for TD	
266DRH, 266PRH with seals mnemonic P3, F3, E3, S3, F2	F and G	from 1:1 to 10:1	± 0.06 %
	F and G	from 10:1 to 60:1	± (0.006 x TD) %
	H to S	from 1:1 to 10:1	± 0.075 %
	H to S	from 10:1 to 60:1	± (0.0075 x TD) %
	E and B	from 1:1 to 5:1	± 0.10 %
	E and B	from 5:1 to 20:1	± (0.02 x TD) %
266DRH high static with seals mnemonic P3, F3, E3, S3, F2	F to Q	from 1:1 to 10:1	± 0.075 %
	F to Q	from 10:1 to 60:1	± (0.0075 x TD) %
266DRH, 266PRH with seals mnemonic different from above	F to S	from 1:1 to 10:1	± 0.10 %
	F to S	from 10:1 to 60:1	± (0.01 x TD) %
	E and B	from 1:1 to 5:1	± 0.15 %
	E and B	from 5:1 to 20:1	± (0.03 x TD) %
266DRH high static with seals mnemonic different from above	F to Q	from 1:1 to 10:1	± 0.10 %
	F to Q	from 10:1 to 60:1	± (0.01 x TD) %

Accuracy rating

% of calibrated span, including combined effects of terminal based linearity, hysteresis and repeatability.

For fieldbus versions SPAN refer to analog input function block outscale range

Model	Sensor	for TD	
266VRH with seals mnemonic P3, F3, E3, S3, F2	F to S	from 1:1 to 10:1	± 0.10 %
	F to S	from 10:1 to 60:1	± (0.01 x TD) %
	E	from 1:1 to 5:1	± 0.10 %
	E	from 5:1 to 20:1	± (0.02 x TD) %
266VRH with seals mnemonic different from above	F to S	from 1:1 to 10:1	± 0.10 %
	F to S	from 10:1 to 60:1	± (0.01 x TD) %
	E	from 1:1 to 5:1	± 0.15 %
	E	from 5:1 to 20:1	± (0.03 x TD) %
266HRH with seals mnemonic P3, F3, E3, S3, F2	M and P	from 1:1 to 10:1	± 0.06 %
	M and P	from 10:1 to 60:1	± (0.006 x TD) %
	G, H, Q, S, V	from 1:1 to 10:1	± 0.075 %
	G, H, Q, S, V	from 10:1 to 60:1	± (0.0075 x TD) %
266HRH with seals different from above	G, H, M, P, Q, S, V	from 1:1 to 10:1	± 0.10 %
	P, Q, S, V	from 10:1 to 60:1	± (0.01 x TD) %
266NRH with seals mne- monic P3, F3, E3, S3, F2	G to S	from 1:1 to 10:1	± 0.10 %
	G to S	from 10:1 to 60:1	± (0.01 x TD) %
266NRH with seals different from above	G to S	from 1:1 to 10:1	± 0.15 %
	G to S	from 10:1 to 60:1	± (0.015 x TD) %

Ambient temperature

Transmitter effect per 20K change between the limits of -40 °C to +85 °C (per 36 °F change between the limits of -40 to +185 °F):

Model	Sensor	for TD up to	
266DRH, 266PRH	E to S	10 : 1	± (0.04 % URL + 0.065 % span)
266DRH	B	10 : 1	± (0.06 % URL + 0.10 % span)
266VRH	E to S	10 : 1	± (0.08 % URL + 0.13 % span)
266HRH	G to V	10 : 1	± (0.04 % URL + 0.065 % span)
266NDH	G to S	10 : 1	± (0.08 % URL + 0.13 % span)

REFER TO S26 SEALS DATA SHEET FOR TEMPERATURE ADDITIONAL EFFECTS OF REMOTE SEAL(S)

Static pressure

(zero errors can be calibrated out at line pressure)
per 2 MPa, 20 bar or 290 psi

Model 266DRH with remote seal(s) standard static

- zero error: ±0.25% of URL
- span error: ±0.25% of reading

Model 266DRH with remote seals high static

- zero error: ±0.25% of URL
- span error: ±0.25% of reading

Supply voltage

Within voltage/load specified limits the total effect is less than 0.005 % of URL per volt.

Load

Within load/voltage specified limits the total effect is negligible.

Electromagnetic field

Meets all the requirements of EN 61326 and NAMUR NE 21 for surge immunity level.

Common mode interference

No effect from 100Vrms @ 50Hz, or 50 V DC

Physical Specification

(Refer to ordering information sheets for variant availability related to specific model or versions code)

Model 266DRH only - side without seal materials

Process isolating diaphragms (*)

AISI 316 L ss; Hastelloy C-276™; Monel 400™; Tantalum.
A remote seal can be selected with required diaphragm material (refer to high pressure side).

Process flanges, adapters, plugs and drain/vent valves (*)

AISI 316 L ss; Hastelloy C-276™; Monel 400™.

Bolts and nuts

AISI 316 ss bolts Class A4-80 and nuts Class A4-70 per UNI 7323 (ISO 3506);

AISI 316 ss bolts and nuts Class A4-50 per UNI 7323 (ISO 3506), in compliance with NACE MR0175 Class II (std. static only).

Stainless steel per ASTM-A-453 grade 660D, in compliance with NACE MR0175 Class II (high static only).

Gaskets (*)

Viton™; PTFE.

Model 266DRH, 266PRH, 266HRH, 266VRH, 266NRH materials

Seal side process diaphragm (remote seal) (*)

AISI 316 L ss; Hastelloy C-276™; Hastelloy C-2000™; Inconel 625; Tantalum; AISI 316 L ss or Hastelloy C-276™ with anti-stick coating; AISI 316 L ss with anti-corrosion coating; AISI 316 L ss gold plated; Superduplex ss (UNS S32750 to ASTM SA479); Diaflex (AISI with anti-abrasion treatment).

Extension material (*)

AISI 316 L ss (also for Diaflex and gold plated diaphragms); Hastelloy C-276™; AISI 316 L ss or Hastelloy C-276™ with coating same as diaphragm

Seal side fill fluid (remote seal)

Silicone oil-DC200™; Silicone oil-DC704™; Inert-Galden™; Inert-Halocarbon™ 4.2; Silicone Polymer-Syltherm XLT™; Low viscosity silicone oil-Baysilone™ M5; Glycerin Water; Vegetable oil-Neobee M-20™; Mineral oil-Esso Marcol 122™.

Model 266DRH Differential Model 266PRH and 266HRH Gauge Model 266VRH and 266NRH Absolute

Sensor fill fluid

Silicone oil; Inert fill (Halocarbon™ 4.2 or Galden™).

Sensor housing

AISI 316 L ss.

Electronic housing and covers

Aluminium alloy (copper content ≤ 0.3 %) with baked epoxy finish (colour RAL9002); AISI 316 L ss.

Covers O-ring

Buna N.

Mounting bracket (**)

Zinc plated carbon steel with chrome passivation; AISI 316 ss;
AISI 316 L ss.

Local adjustments (zero, span and write protect)

For Standard HART version:

- Internal for zero and span (on communication board)
- External non-intrusive for zero, span and write protect in glass filled polyphenylene oxide, removable (code R1).

For all other versions:

- External non-intrusive for zero, span and write protect in glass filled polyphenylene oxide, removable.

Plates

Transmitter nameplate: AISI 316 ss screwed to the electronics housing.

Certification plate and optional tag/calibration plate : self-adhesive attached to the electronics housing or AISI 316 ss fastened to the electronics housing with rivets or screws.

Optional wired-on customer data plate: AISI 316 ss.

Laser printing on metal or thermal printing on self-adhesive.

Calibration

Standard: at maximum span, zero based range, ambient temperature and pressure;

Optional: at specified range and ambient conditions.

Optional extras

Mounting brackets (code Bx)

For vertical and horizontal 60mm. (2in) pipes or wall mounting. (EXCEPT U-BOLT ASSEMBLY WHICH IS NOT SUPPLIED FOR WALL MOUNTING, PARTS ARE THE SAME FOR PIPE AND WALL BRACKET OPTIONS, AS PER RELEVANT MATERIALS).

Display (code Lx)

4-position (at 90°) user orientable.

Optional plates (code Ix)

Code I2: plate for tag (up to 31 characters) and calibration details (up to 31 characters: lower and upper range values and engineering unit) fixed onto transmitter housing.

Code I1: AISI 316 ss wired-on plate with laser printed customized data (4 lines of 32 characters with 4 mm/0.16 in. height).

Surge protection (code S2)

Test Certificates (test, design, calibration, material traceability) (codes Cx and Hx)

Tag and manual language (codes Tx and Mx)

Communication connectors (code Ux)

Process connections

on conventional flanges : 1/4 – 18 NPT on process axis
on adapters : 1/2 – 14 NPT on process axis
fixing threads: 7/16 – 20 UNF at 41.3mm centre distance
Refer to S26 seal data sheet for process connection variants through remote seal

Electrical connections

Two 1/2 – 14 NPT or M20x1.5 threaded conduit entries, direct on housing.
Special communication connector (on request)
– HART: straight or angle Harting Han 8D connector and one plug.
– FOUNDATION Fieldbus, PROFIBUS PA: M12x1 or 7/8 in.

Terminal block

HART version: three terminals for signal/external meter wiring up to 2.5 mm² (14 AWG), also connection points for test and communication purposes.
Fieldbus versions: two terminals for signal wiring (bus connection) up to 2.5 mm² (14 AWG)

Grounding

Internal and external 6 mm² (10 AWG) ground termination points are provided.

Mounting position

Transmitter can be mounted in any position.
Electronics housing may be rotated to any position. A positive stop prevents over travel.

Mass (without options and seals)

models 266DRH, 266PRH, 266VRH : 4 kg approx (8.8 lb)
models 266HRH, 266NRH: 2 kg approx (4.4 lb)
Add 1.5kg (3.4lb) for AISI housing.
Add 650g (1.5lb) for packing.
Consider additional weight up to 50 kg (up to 110 lb) for seals.

Packing

Carton

(*) Wetted parts of the transmitter.

(**) U-bolt material: high-strength alloy steel or AISI 316 L ss;
bolts/nuts material: high-strength alloy steel or AISI 316 ss.

Configuration

Transmitter with HART communication and 4 to 20 mA Standard configuration

Transmitters are factory calibrated to customer's specified range. Calibrated range and tag number are stamped on the tag plate. If a calibration range and tag data are not specified, the transmitter will be supplied with the plate left blank and configured as follows:

Engineering Unit	kPa
4 mA	Zero
20 mA	Upper Range Limit (URL)
Output	Linear
Damping	1 s
Transmitter failure mode	Upscale
Software tag (8 characters max)	Blank
Optional LCD display	PV in kPa; output in mA and in percentage on bargraph

Any or all the above configurable parameters, including Lower range-value and Upper range-value which must be the same unit of measure, can be easily changed using the HART hand-held communicator or by a PC running the configuration software with DTM for 266 models. The transmitter database is customized with specified flange type and material, O-ring and drain/vent materials and meter code option.

Custom configuration (option N6)

The following data may be specified in addition to the standard configuration parameters:

Descriptor	16 alphanumeric characters
Message	32 alphanumeric characters
Date	Day, month, year

For HART protocol available engineering units of pressure measure are :

Pa, kPa, MPa
inH₂O@4 °C, mmH₂O@4 °C, psi
inH₂O@20 °C, ftH₂O@20 °C, mmH₂O@20 °C
inHg, mmHg, Torr
g/cm², kg/cm², atm
mbar, bar

These and others are available for PROFIBUS and FOUNDATION Fieldbus.

Model 266DRH Differential Model 266PRH and 266HRH Gauge Model 266VRH and 266NRH Absolute

Transmitter with PROFIBUS PA communication

Standard configuration

Transmitters are factory calibrated to customer's specified range. Calibrated range and tag number are stamped on the tag plate. If a calibration range and tag data are not specified, the transmitter will be supplied with the plate left blank and configured as follows:

Measure Profile	Pressure
Engineering Unit	kPa
Output scale 0 %	Lower Range Limit (LRL)
Output scale 100 %	Upper Range Limit (URL)
Output	Linear
Hi-Hi Limit	Upper Range Limit (URL)
Hi Limit	Upper Range Limit (URL)
Low Limit	Lower Range Limit (LRL)
Low-Low Limit	Lower Range Limit (LRL)
Limits hysteresis	0.5 % of output scale
PV filter	0 s
Address (set by local key)	126
Tag	32 alphanumeric characters
Optional LCD display	PV in kPa; output in percentage on bargraph

Any or all the above configurable parameters, including the range values which must be the same unit of measure, can be easily changed by a PC running the configuration software with DTM for 266 models. The transmitter database is customized with specified flange type and material, O-ring and drain/vent materials and meter code option.

Custom configuration (option N6)

The following data may be specified in addition to the standard configuration parameters:

Descriptor	32 alphanumeric characters
Message	32 alphanumeric characters
Date	Day, month, year

Transmitter with FOUNDATION Fieldbus communication

Standard configuration

Transmitters are factory calibrated to customer's specified range. Calibrated range and tag number are stamped on the tag plate. If a calibration range and tag data are not specified, the transmitter will be supplied with the plate left blank and the analog input function block FB1 is configured as follows:

Measure Profile	Pressure
Engineering Unit	kPa
Output scale 0 %	Lower Range Limit (LRL)
Output scale 100 %	Upper Range Limit (URL)
Output	Linear
Hi-Hi Limit	Upper Range Limit (URL)
Hi Limit :	Upper Range Limit (URL)
Low Limit	Lower Range Limit (LRL)
Low-Low Limit	Lower Range Limit (LRL)
Limits hysteresis	0.5 % of output scale
PV filter time	0 s
Tag	32 alphanumeric characters
Optional LCD display	PV in kPa; output in percentage on bargraph

The analog input function block FB2 and FB3 are configured respectively for the sensor temperature measured in °C and for the static pressure measured in MPa.

Any or all the above configurable parameters, including the range values, can be changed using any host compliant to FOUNDATION fieldbus. The transmitter database is customized with specified flange type and material, O-ring and drain/vent materials and meter code option.

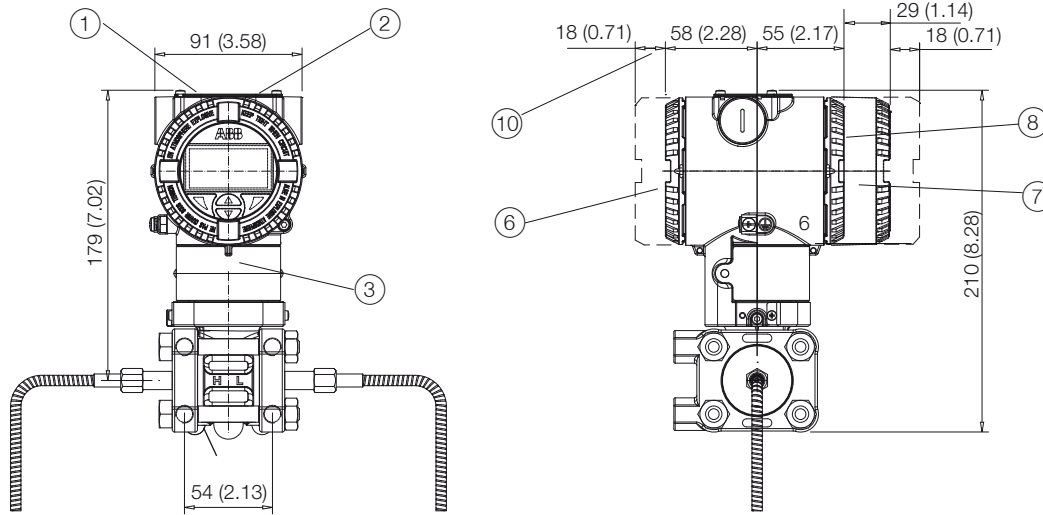
Custom configuration (option N6)

The following data may be specified in addition to the standard configuration parameters:

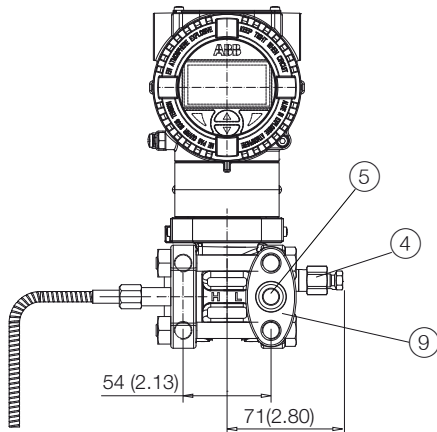
Descriptor	32 alphanumeric characters
Message	32 alphanumeric characters
Date	Day, month, year

MOUNTING DIMENSIONS (not for construction unless certified) – dimensions in mm (in.)

266DRH, 266PRH, 266VRH with barrel housing



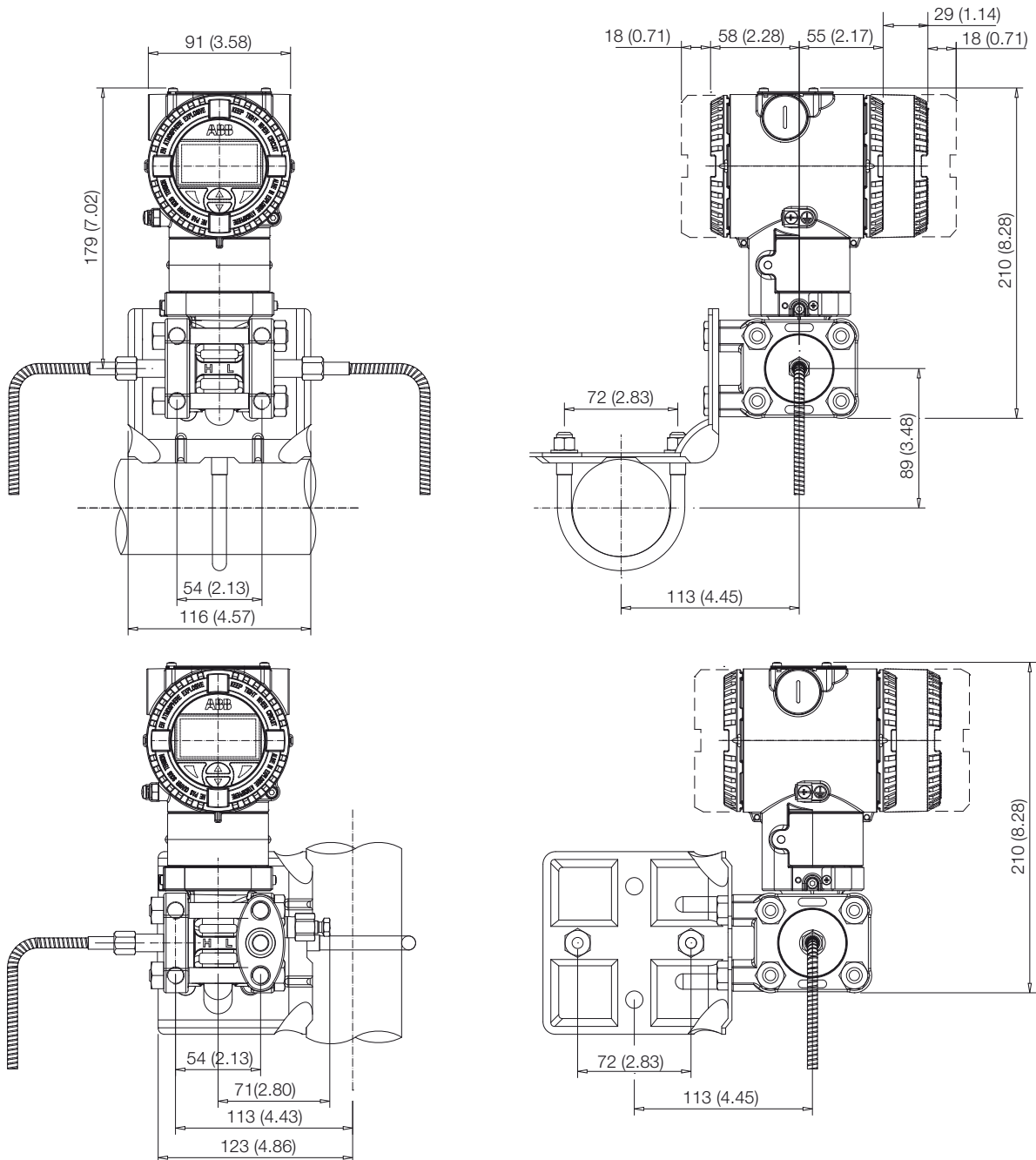
- ① Adjustments | ② Identification plate | ③ Certification plate | ④ Drain/vent valve | ⑤ Process connection | ⑥ Terminal side | ⑦ Integral display housing | ⑧ Electronic side | ⑨ Adapter | ⑩ Space for cover removal



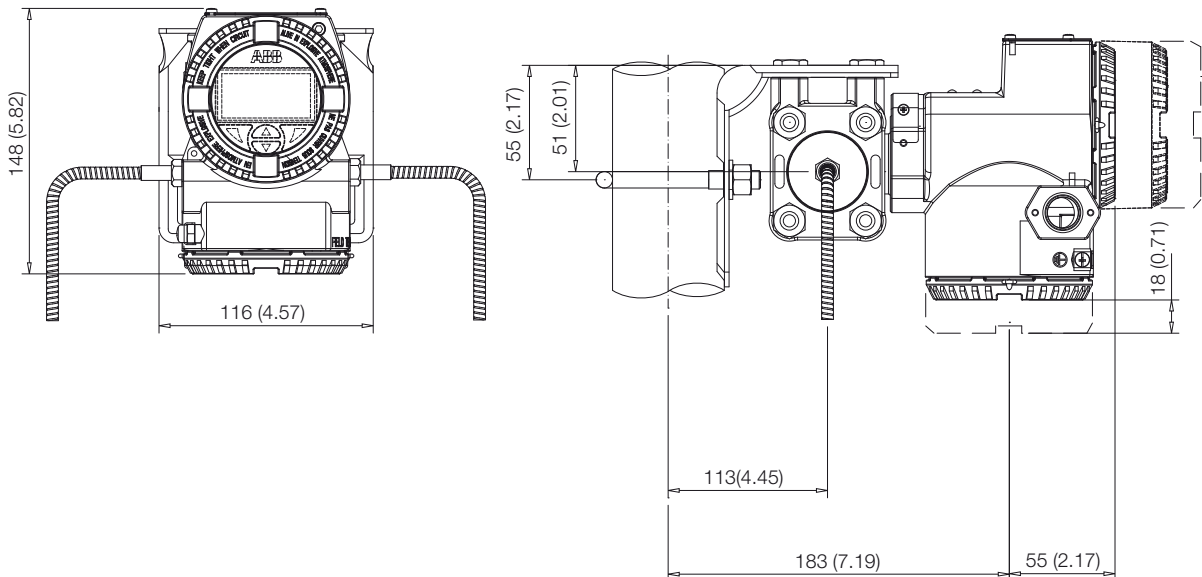
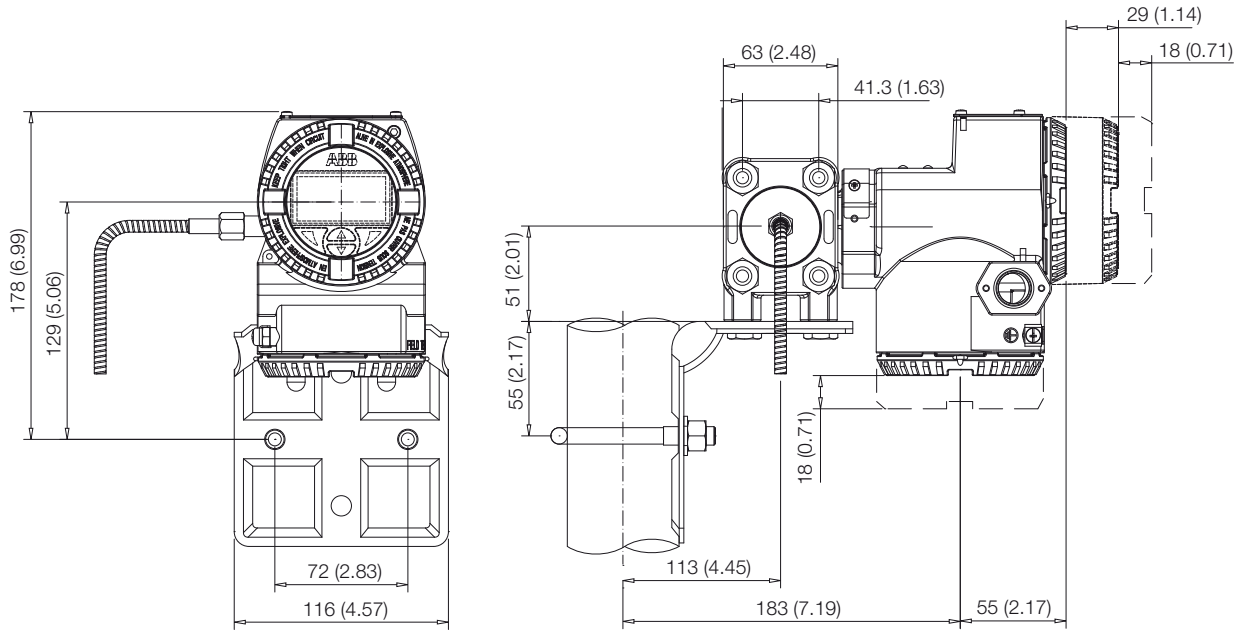
NOTE : For 266DRH using one seal only, the threaded connection (1/4 – 18 NPT direct or 1/2 – 14 NPT through adapter) of conventional flange, gasket groove and gaskets are in accordance with IEC 61518.
Bolting threads for fixing adapter or other devices (i.e. manifold etc.) on process flange is $\frac{7}{16}$ – 20 UNF.

Model 266DRH Differential
 Model 266PRH and 266HRH Gauge
 Model 266VRH and 266NRH Absolute

266DRH, 266PRH, 266VRH with barrel housing on bracket for vertical or horizontal 60 mm (2in) pipe

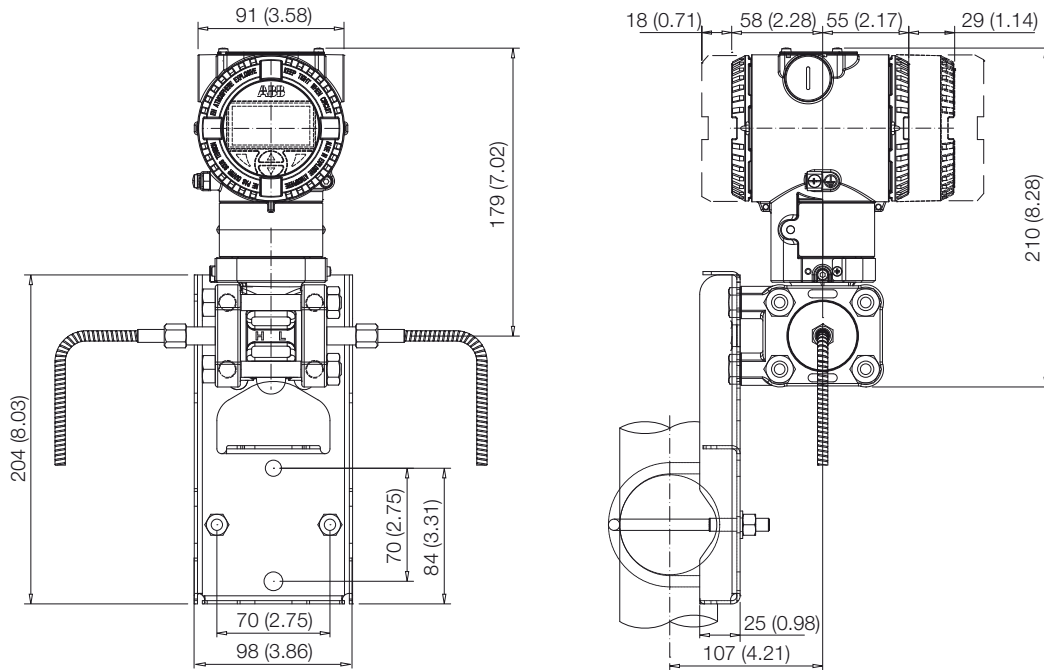


266DRH, 266PRH, 266VRH with DIN housing on bracket for vertical or horizontal 60 mm (2in) pipe

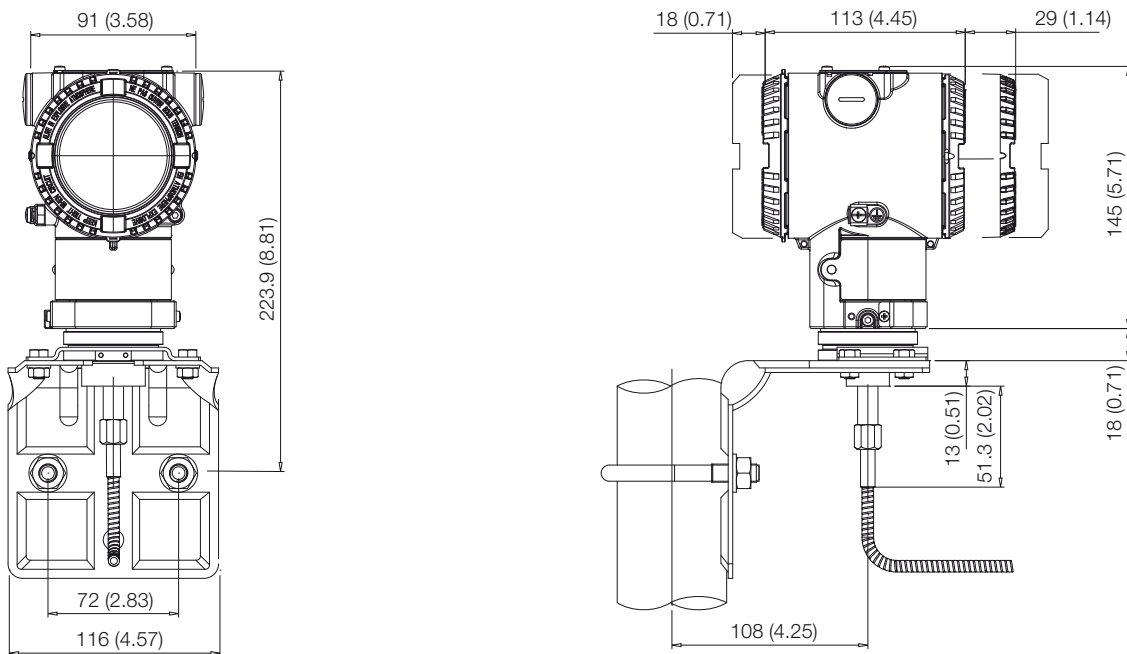


Model 266DRH Differential
 Model 266PRH and 266HRH Gauge
 Model 266VRH and 266NRH Absolute

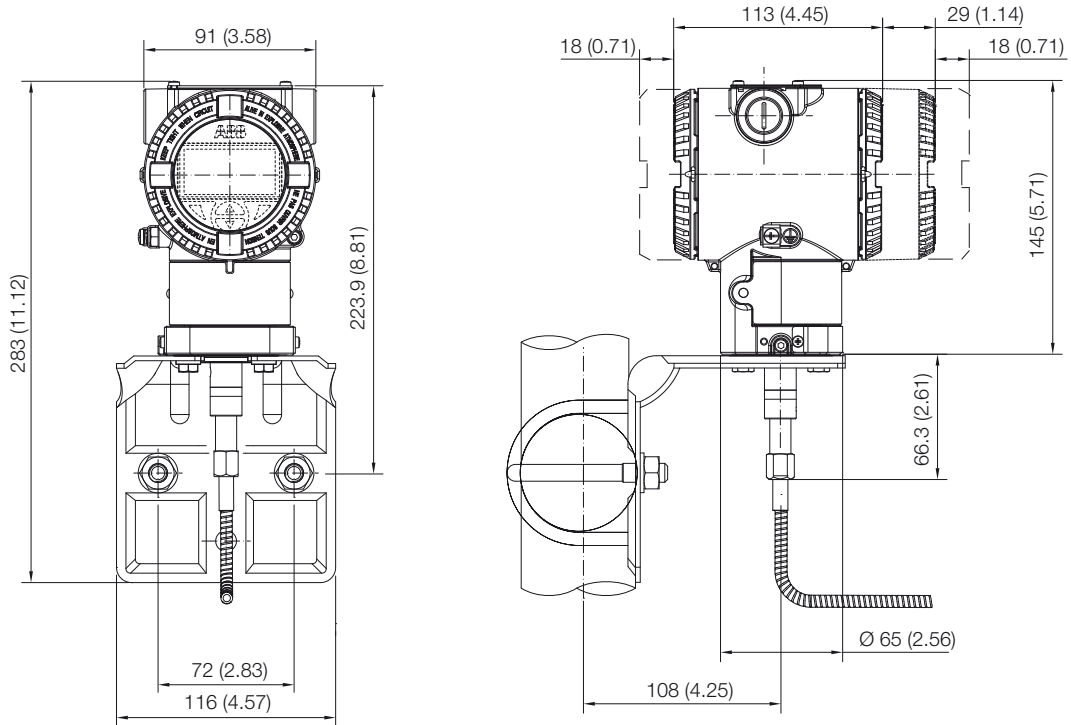
266DRH with barrel housing on flat bracket for vertical or horizontal 60 mm (2in) pipe



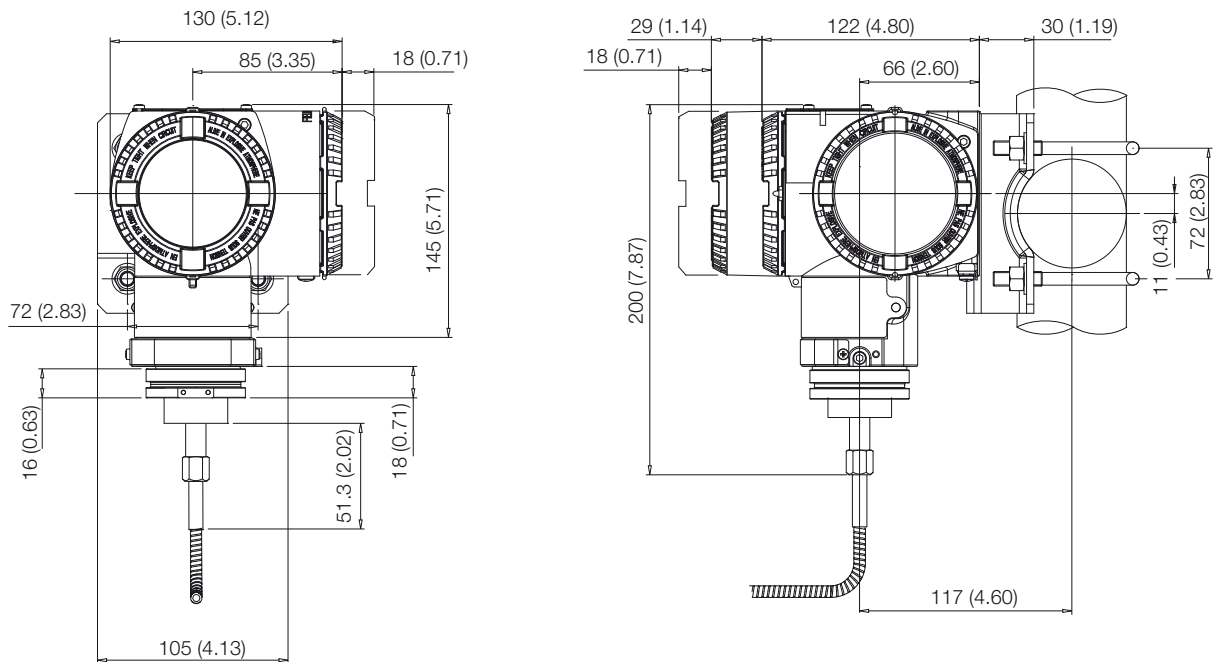
266HRH, 266NRH with barrel housing on bracket for vertical or horizontal 60 mm (2in) pipe - sensors G, H, M, P, Q, S



266HRH, 266NRH with barrel housing on bracket for vertical or horizontal 60 mm (2in) pipe - sensor V



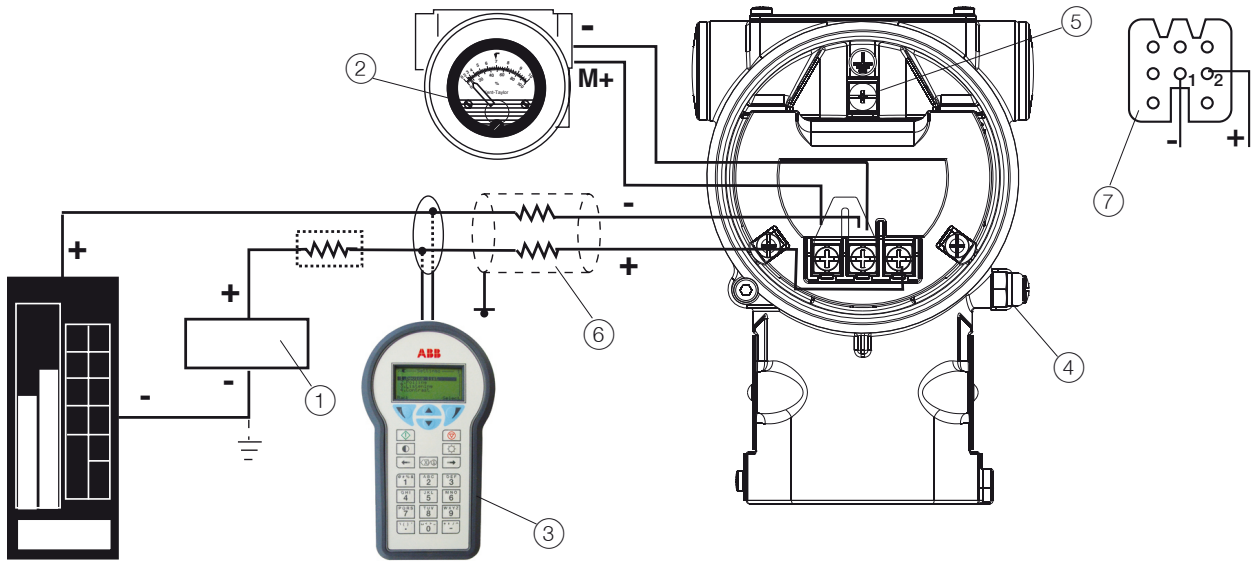
266HRH, 266NRH with DIN housing on bracket for vertical or horizontal 60 mm (2in) pipe - sensors G, H, M, P, Q, S



Model 266DRH Differential Model 266PRH and 266HRH Gauge Model 266VRH and 266NRH Absolute

Electrical connections

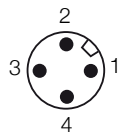
HART Version



HART hand-held communicator may be connected at any wiring termination point in the loop, providing the minimum resistance is 250 ohm. If this is less than 250 ohm, additional resistance should be added to allow communications. Maximum voltage drop on external remote indicator is 0.7 Vdc

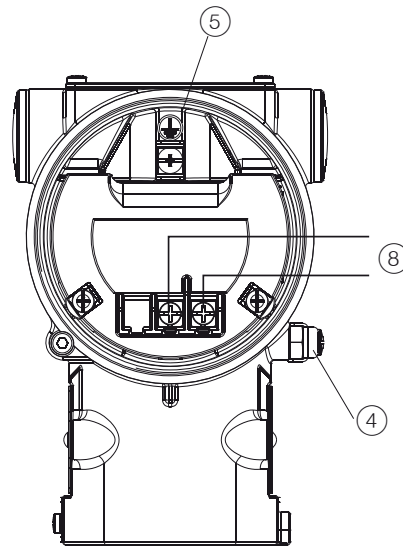
FIELDBUS Versions

7/8 in connector M12 x 1 connector



PIN (male) IDENTIFICATION		
	FOUNDATION Fieldbus	PROFIBUS PA
1	DATA -	DATA +
2	DATA +	GROUND
3	SHIELD	DATA -
4	GROUND	SHIELD

CONNECTOR IS SUPPLIED LOOSE
WITHOUT MATING FEMALE PLUG



- ① Power source | ② Remote indicator | ③ Handheld communicator | ④ External ground termination point | ⑤ Internal ground termination point | ⑥ Line load | ⑦ Harting Han 8D socket insert for mating plug (supplied loose) | ⑧ Fieldbus line (polarity independent)

Ordering information

BASIC ORDERING INFORMATION model 266DRH Differential Pressure Transmitter with remote seal

Select one character or set of characters from each category and specify complete catalog number.

Refer to additional ordering information and specify one or more codes for each transmitter if additional options are required.

BASE MODEL - 1 st to 6 th characters				2	6	D	R	H	X	X	X	X	X	X	X
Differential Pressure Transmitter with remote seal- BASE ACCURACY 0.06 %															
SENSOR - Span limits - 7 th character															
0.2 and 4 kPa	2 and 40 mbar	0.8 and 16 inH2O	(Note 15)						B						
0.8 and 16 kPa	8 and 160 mbar	3.2 and 64 inH2O	(Note 15)						E						
0.67 and 40 kPa	6.7 and 400 mbar	2.67 and 160 inH2O							F						
1.1 and 65 kPa	11 and 650 mbar	4.35 and 260 inH2O							G						
2.67 and 160 kPa	26.7 and 1600 mbar	10.7 and 642 inH2O							H						
10 and 600 kPa	0.1 and 6 bar	1.45 and 87 psi							M						
40 and 2400 kPa	0.4 and 24 bar	5.8 and 348 psi							P						
134 and 8000 kPa	1.34 and 80 bar	19.4 and 1160 psi							Q						
267 and 16000 kPa	2.67 and 160 bar	38.7 and 2320 psi	(Note 15)						S						
Static pressure - 8th character															
Standard static pressure															S
High static pressure															H
Diaphragm material / Fill fluid (wetted parts) - 9 th character															
AISI 316 L ss	Silicone oil	(one remote seal only to be quoted)	(Note 3, 15)						NACE						S
Hastelloy C-276™	Silicone oil	(one remote seal only to be quoted)	(Note 3, 15)						NACE						K
Monel 400™	Silicone oil	(one remote seal only to be quoted)	(Note 3, 15)						NACE						M
Tantalum	Silicone oil	(one remote seal only to be quoted)	(Note 3, 15)						NACE						T
AISI 316 L ss	Inert fluid - Galden	(one remote seal only to be quoted)	(Notes 1, 3, 15)						NACE						A
Hastelloy C-276™	Inert fluid - Galden	(one remote seal only to be quoted)	(Notes 1, 3, 15)						NACE						F
Monel 400™	Inert fluid - Galden	(one remote seal only to be quoted)	(Notes 1, 3, 15)						NACE						C
Tantalum	Inert fluid - Galden	(one remote seal only to be quoted)	(Notes 1, 3, 15)						NACE						D
AISI 316 L ss	Inert fluid - Halocarbon	(one remote seal only to be quoted)	(Notes 1, 3, 15)						NACE						L
Hastelloy C-276™	Inert fluid - Halocarbon	(one remote seal only to be quoted)	(Notes 1, 3, 15)						NACE						P
Monel 400™	Inert fluid - Halocarbon	(one remote seal only to be quoted)	(Notes 1, 3, 15)						NACE						4
Tantalum	Inert fluid - Halocarbon	(one remote seal only to be quoted)	(Notes 1, 3, 15)						NACE						5
AISI 316 L ss (not wetted)	Silicone oil	(two remote seals to be quoted)	(Note 2)						NACE						R
AISI 316 L ss (not wetted)	Inert fluid - Galden	(two remote seals to be quoted)	(Notes 1, 3, 15)						NACE						2
AISI 316 L ss (not wetted)	Inert fluid - Halocarbon	(two remote seals to be quoted)	(Notes 1, 3)						NACE						W

continued
see next page

Model 266DRH Differential

Model 266PRH and 266HRH Gauge

Model 266VRH and 266NRH Absolute

BASIC ORDERING INFORMATION model 266DRH Differential Pressure Transmitter				2	6	D	R	H	X	X	X	X
Process flanges/adapters material and connection (wetted parts) - 10th character												
AISI 316 L ss for two seals construction		(Note 4)	NACE						R			
AISI 316 L ss (Horizontal connection)	1/4 – 18 NPT-f direct	(Note 5)	NACE						A			
AISI 316 L ss (Horizontal connection)	1/2 – 14 NPT-f through adapter	(Note 5)	NACE						B			
Hastelloy C-276™ (Horizontal connection)	1/4 – 18 NPT-f direct	(Notes 5, 6)	NACE						D			
Hastelloy C-276™ (Horizontal connection)	1/2 – 14 NPT-f through adapter	(Notes 5, 6)	NACE						E			
Monel 400™ (Horizontal connection)	1/4 – 18 NPT-f direct	(Notes 5, 6)	NACE						G			
Monel 400™ (Horizontal connection)	1/2 – 14 NPT-f through adapter	(Notes 5, 6)	NACE						H			
Bolts/Gasket (wetted parts) - 11th character												
For standard static - AISI 316 ss (NACE) without gaskets for two seals construction – (MWP = 16 MPa)		(Note 4)	NACE						R			
For high static - Stainless steel (NACE) without gaskets for two seals construction – (MWP = 42 MPa)		(Note 4)	NACE						R			
AISI 316 ss without gaskets for two seals construction		(Note 4)							S			
AISI 316 ss	Viton™	(Note 5)							1			
AISI 316 ss	PTFE	(Notes 1, 5)							2			
AISI 316 ss (NACE) – (MWP = 16 MPa)	Viton™	(Note 5)	NACE						3			
AISI 316 ss (NACE) – (MWP = 16 MPa)	PTFE	(Notes 1, 5)	NACE						4			
Housing material and electrical connection - 12th character												
Aluminium alloy (barrel version)	1/2 – 14 NPT											A
Aluminium alloy (barrel version)	M20 x 1.5 (CM 20)											B
Aluminium alloy (barrel version)	Harting Han 8D connector	(general purpose only)	(Note 7)									E
Aluminium alloy (barrel version)	Fieldbus connector	(general purpose only)	(Note 7)									G
AISI 316 L ss (barrel version)	1/2 – 14 NPT											S
AISI 316 L ss (barrel version)	M20 x 1.5 (CM20)											T
AISI 316 L ss (barrel version)	Fieldbus connector	(general purpose only)	(Note 7)									Z
Aluminium alloy (DIN version)	M20 x 1.5 (CM20)	(general purpose only)										J
Aluminium alloy (DIN version)	Harting Han 8D connector	(general purpose only)	(Note 7)									K
Aluminium alloy (DIN version)	Fieldbus connector	(general purpose only)	(Note 7)									W
Output/Additional options - 13th character												
Standard HART and 4 to 20 mA		No additional options	(Notes 8, 9)									L
Standard HART and 4 to 20 mA		Options requested by “Additional ordering code”	(Note 8)									7
Advanced HART and 4 to 20 mA (includes option R1)		No additional options	(Notes 8, 9)									H
Advanced HART and 4 to 20 mA (includes option R1)		Options requested by “Additional ordering code”	(Note 8)									1
PROFIBUS PA (includes option R1)		No additional options	(Notes 8, 9)									P
PROFIBUS PA (includes option R1)		Options requested by “Additional ordering code”	(Note 9)									2
FOUNDATION Fieldbus (includes option R1)		No additional options	(Notes 8, 9)									F
FOUNDATION Fieldbus (includes option R1)		Options requested by “Additional ordering code”	(Note 9)									3
HART and 4 to 20 mA Safety, certified to IEC 61508 (includes option R1)		No additional options	(Notes 8, 9)									T
HART and 4 to 20 mA Safety, certified to IEC 61508 (includes option R1)		Options requested by “Additional ordering code”	(Note 8)									8

NOTE - Option R1 represents the external pushbuttons

ADDITIONAL ORDERING INFORMATION for model 266DRH

Add one or more 2-digit code(s) after the basic ordering information to select all required options

				XX	XX
Drain/vent valve (material and position) (wetted parts)					
AISI 316 L ss	on process axis	(Note 10)	NACE	V1	
AISI 316 L ss	on flange side top	(Note 10)	NACE	V2	
AISI 316 L ss	on flange side bottom	(Note 10)	NACE	V3	
Hastelloy C-276™	on process axis	(Note 11)	NACE	V4	
Hastelloy C-276™	on flange side top	(Note 11)	NACE	V5	
Hastelloy C-276™	on flange side bottom	(Note 11)	NACE	V6	
Monel 400™	on process axis	(Note 12)	NACE	V7	
Monel 400™	on flange side top	(Note 12)	NACE	V8	
Monel 400™	on flange side bottom	(Note 12)	NACE	V9	
Hazardous area certifications					
ATEX Intrinsic Safety II 1 G and II 1/2 G Ex ia IIC T6/T5/T4; II 1 D Ex iaD 20 T85 °C and II 1/2D Ex iaD 21 T85 °C			(Notes 8, 9)		E1
ATEX Explosion Proof Group II Category 1/2 G Ex d IIC T6 and Group II Category 1/2 D Ex tD A21 IP67 T85 °C			(Notes 8, 9, 13)		E2
ATEX Type „N“ Group II Category 3 G Ex nL IIC T6/T5/T4 and Group II Category 3 D Ex tD A22 IP67 T85 °C			(Notes 8, 9)		E3
Combined ATEX - Intrinsic Safety, Explosion Proof and Type „N“			(Notes 8, 9, 13)		EW
Combined ATEX - Intrinsic Safety and Explosion Proof			(Notes 8, 9, 13)		E7
Combined ATEX, FM Approvals (USA) and FM Approvals (Canada)			(Notes 8, 9, 13)		EN
FM Approvals (Canada) approval			(Notes 8, 9, 13)		E4
FM Approvals (USA) approval			(Notes 8, 9, 13)		E6
FM Approvals (USA and Canada) Intrinsic Safety			(Notes 8, 9)		EA
FM Approvals (USA and Canada) Explosion Proof			(Notes 8, 9, 13)		EB
FM Approvals (USA and Canada) Nonincendive			(Notes 8, 9)		EC
IECEX Intrinsic Safety Ex ia IIC T6/T5/T4; Ex iaD 20 T85 °C and Ex iaD 21 T85 °C;			(Notes 8, 9)		E8
IECEX Explosion Proof Ex d IIC T6 and Ex tD A21 IP67 T85 °C (Ta= -50 to +75 °C)			(Notes 8, 9, 13)		E9
IECEX Type „N“ Ex nL IIC T6/T5/T4			(Notes 8, 9)		ER
Combined IECEX - Intrinsic Safety, Explosion Proof and Type „N“			(Notes 8, 9, 13)		EI
Combined IECEX - Intrinsic Safety and Explosion Proof			(Notes 8, 9, 13)		EH
NEPSI Intrinsic Safety Ex ia IIC T4~T6, DIP A20TA, T4~T6			(Notes 8, 9)		EY
NEPSI Explosion Proof Ex d IIC T6, DIP A21TA, T6			(Notes 8, 9, 13)		EZ
NEPSI Type „N“ Ex nL IIC T4~T6, DIP A22TA, T6			(Notes 8, 9)		ES
Combined NEPSI - Intrinsic Safety, Explosion Proof and Type „N“			(Notes 8, 9, 13)		EQ
Combined NEPSI - Intrinsic Safety and Explosion Proof			(Notes 8, 9, 13)		EP

Model 266DRH Differential

Model 266PRH and 266HRH Gauge

Model 266VRH and 266NRH Absolute

ADDITIONAL ORDERING INFORMATION for model 266DRH			XX	XX	XX	XX
Other hazardous area certifications (ONLY AS ALTERNATIVE TO BASIC CERTIFICATION CODE Ex)						
GOST (Russia) Ex ia	(Notes 8, 9)	W1				
GOST (Russia) Ex d	(Notes 8, 9, 13)	W2				
GOST (Kazakhstan) Ex ia	(Notes 8, 9)	W3				
GOST (Kazakhstan) Ex d	(Notes 8, 9, 13)	W4				
Inmetro (Brazil) Ex ia	(Notes 8, 9, 16)	W5				
Inmetro (Brazil) Ex d	(Notes 8, 9, 13, 16)	W6				
Inmetro (Brazil) Ex nL	(Notes 8, 9, 16)	W7				
Combined Inmetro (Brazil) - Intrinsic Safety, Explosion Proof and Type „N“	(Notes 8, 9, 13, 16)	W8				
GOST (Belarus) Ex ia	(Notes 8, 9)	WF				
GOST (Belarus) Ex d	(Notes 8, 9, 13)	WG				
Combined GOST (Belarus) - Intrinsic Safety and Explosion Proof	(Notes 8, 9, 13)	WH				
Kosha (Korea) Intrinsic Safety Ex ia IIC T6, IP67	(Notes 8, 9, 16)	WM				
Kosha (Korea) Explosion Proof Ex d IIC T6, IP67	(Notes 8, 9, 13, 16)	WN				
Combined Kosha (Korea) - Intrinsic Safety and Explosion Proof	(Notes 8, 9, 13, 16)	WP				
Integral LCD						
Digital LCD integral display	(Note 16)	L1				
TTG (Through-The-Glass) digital LCD controlled display	(Note 16)	L5				
Standard Digital LCD integral display (ONLY SELECTABLE WITH OUTPUT CODE 7)		L9				
External non intrusive Z, S and WP pushbuttons						
Transmitters with external pushbutton (ONLY SELECTABLE WITH OUTPUT CODE 7)						R1
Mounting bracket (shape and material)						
For pipe mounting - Carbon steel	(Not suitable for AISI housing)					B1
For pipe mounting - AISI 316 L ss						B2
For wall mounting - Carbon steel	(Not suitable for AISI housing)					B3
For wall mounting - AISI 316 L ss						B4
Flat type for box - AISI 316 ss						B5
Surge						
Surge/Transient Protector						S2

ADDITIONAL ORDERING INFORMATION for model 266DRH	XX	XX	XX	XX	XX
Operating manual (up to 2 different selections allowed)					
German (ONLY FOR HART and PROFIBUS VERSIONS)	M1				
Italian (ONLY FOR HART VERSION)	M2				
Spanish (ONLY FOR HART VERSION)	M3				
French (ONLY FOR HART VERSION)	M4				
English	M5				
Chinese (ONLY FOR HART VERSION)	M6				
Swedish (ONLY FOR HART VERSION)	M7				
Polish (ONLY FOR HART VERSION)	M9				
Portuguese (ONLY FOR HART VERSION)	MA				
Turkish (ONLY FOR HART VERSION)	MT				
Plates language					
German		T1			
Italian		T2			
Spanish		T3			
French		T4			
Additional tag plate					
Supplemental wired-on stainless steel plate			I1		
Tag and certification stainless steel plates and laser printing of tag			I2		
Tag, certification and supplemental wired-on stainless steel plates and laser printing of tag			I3		
Configuration					
Standard – Pressure = inH2O/ psi at 68 °F; Temperature = deg. F				N2	
Standard – Pressure = inH2O/ psi at 39.2 °F; Temperature = deg. F				N3	
Standard – Pressure = inH2O/ psi at 20 °C; Temperature = deg. C				N4	
Standard – Pressure = inH2O/ psi at 4 °C; Temperature = deg. C				N5	
Custom				N6	
Certificates (up to 2 different selections allowed)					
Inspection certificate EN 10204–3.1 of calibration (9-point)					C1
Inspection certificate EN 10204–3.1 of helium leakage test of the sensor module					C4
Inspection certificate EN 10204–3.1 of the pressure test					C5
Certificate of compliance with the order EN 10204–2.1 of instrument design					C6
Printed record of configured data of transmitter					CG
PMI test of wetted parts					CT

Model 266DRH Differential

Model 266PRH and 266HRH Gauge

Model 266VRH and 266NRH Absolute

ADDITIONAL ORDERING INFORMATION FOR MODEL 266DRH		XX	XX	XX	XX
Approvals					
GOST (Russia) without Ex	(NOT APPLICABLE WITH ANY HAZARDOUS AREA CERTIFICATION)	Y1			
GOST (Kazakhstan) without Ex	(NOT APPLICABLE WITH ANY HAZARDOUS AREA CERTIFICATION)	Y2			
GOST (Belarus) without Ex	(NOT APPLICABLE WITH ANY HAZARDOUS AREA CERTIFICATION)	Y4			
Chinese pattern without Ex	(NOT APPLICABLE WITH ANY HAZARDOUS AREA CERTIFICATION)	Y5			
DNV approval	(Note 16)		YA		
Lloyd approval (PENDING)	(Note 16)		YB		
Approval for Custody transfer (PENDING)	(Note 16)		YC		
Material traceability					
Certificate of compliance with the order EN 10204–2.1 of process wetted parts					H1
Inspection certificate EN 10204–3.1 of process wetted parts					H3
Test report EN 10204–2.2 of pressure bearing and process wetted parts					H4
Connector					
Fieldbus 7/8 in. (Recommended for FOUNDATION Fieldbus) - (supplied loose without mating female plug)		(Notes 9, 14)			U1
Fieldbus M12x1 (Recommended for PROFIBUS PA) - (supplied loose without mating female plug)		(Notes 9, 14)			U2
Harting Han 8D – straight entry - (supplied loose)		(Notes 8, 14)			U3
Harting Han 8D – angle entry - (supplied loose)		(Notes 8, 14)			U4

Note 1: Suitable for oxygen service

Note 2: Not wetted – Hastelloy C276™ on AISI seat for sensor code B

Note 3: Not available with sensor code B

Note 4: Not available with low side diaphragm code S, K, M, T, A, F, C, D, L, P, 4, 5

Note 5: Not available with low side diaphragm code R, 2, W

Note 6: Not available with diaphragm material/fill fluid code S, A, L

Note 7: Select type in additional ordering code

Note 8: Not available with Housing code G, Z, W

Note 9: Not available with Housing code E, K

Note 10: Not available with Process flanges/adapters code D, E, G, H, R

Note 11: Not available with Process flanges/adapters code A, B, G, H, R

Note 12: Not available with Process flanges/adapters code A, B, D, E, R

Note 13: Not available with Housing code J, K, W

Note 14: Not available with Housing code A, B, S, T, J

Note 15: Not available with high static pressure code H

Note 16: Not available with Output code 7

Standard delivery items (can be differently specified by additional ordering code)

- Adapter supplied loose
- Plug on axis of horizontal connection flange; nothing for horizontal connection (MWP 16 MPa) flange
- General purpose (no electrical certification)
- No display, no mounting bracket, no surge protection
- Multilanguage short-form operating instruction manual and labels in english (metal nameplate; self-adhesive certification and tag)
- Configuration with kPa and deg. C units
- No test, inspection or material traceability certificates

BASIC ORDERING INFORMATION model 266PRH Gauge Pressure Transmitter with remote seal

Select one character or set of characters from each category and specify complete catalog number.

Refer to additional ordering information and specify one or more codes for each transmitter if additional options are required.

BASE MODEL - 1 st to 6 th characters			2 6 6 P R H	X	S	X	X	X	X	X
Gauge Pressure Transmitter with remote seal- BASE ACCURACY 0.06 %										
SENSOR - Span limits - 7 th character										
0.8 and 16 kPa	8 and 160 mbar	3.2 and 64 inH2O		E						
0.67 and 40 kPa	6.7 and 400 mbar	2.67 and 160 inH2O		F						
1.1 and 65 kPa	11 and 650 mbar	4.35 and 260 inH2O		G						
2.67 and 160 kPa	26.7 and 1600 mbar	10.7 and 642 inH2O		H						
10 and 600 kPa	0.1 and 6 bar	1.45 and 87 psi		M						
40 and 2400 kPa	0.4 and 24 bar	5.8 and 348 psi		P						
134 and 8000 kPa	1.34 and 80 bar	19.4 and 1160 psi		Q						
267 and 16000 kPa	2.67 and 160 bar	38.7 and 2320 psi		S						
Use code - 8 th character					S					
Diaphragm material / Fill fluid - 9 th character										
AISI 316 L ss	Silicone oil		NACE			R				
AISI 316 L ss	Inert fluid - Galden		NACE			2				
AISI 316 L ss	Inert fluid - Halocarbon		NACE			W				
Process flanges material and connection - 10 th character										
AISI 316 L ss for seal construction	(one remote seal to be quoted)		NACE				R			
Bolts/Gasket - 11 th character										
AISI 316 ss (NACE) without gaskets for seal construction – (MWP = 16 MPa)			NACE					R		
AISI 316 ss without gaskets for seal construction								S		
Housing material and electrical connection - 12 th character										
Aluminium alloy (barrel version)	1/2 – 14 NPT								A	
Aluminium alloy (barrel version)	M20 x 1.5 (CM 20)								B	
Aluminium alloy (barrel version)	Harting Han 8D connector	(general purpose only)					(Note 2)		E	
Aluminium alloy (barrel version)	Fieldbus connector	(general purpose only)					(Note 2)		G	
AISI 316 L ss (barrel version)	1/2 – 14 NPT								S	
AISI 316 L ss (barrel version)	M20 x 1.5 (CM20)								T	
AISI 316 L ss (barrel version)	Fieldbus connector	(general purpose only)					(Note 2)		Z	
Aluminium alloy (DIN version)	M20 x 1.5 (CM20)	(not Ex d or XP)							J	
Aluminium alloy (DIN version)	Harting Han 8D connector	(general purpose only)					(Note 2)		K	
Aluminium alloy (DIN version)	Fieldbus connector	(general purpose only)					(Note 2)		W	
Output/Additional options - 13 th character										
Standard HART and 4 to 20 mA		No additional options					(Notes 3, 4)		L	
Standard HART and 4 to 20 mA		Options requested by "Additional ordering code" (Note 3)							7	
Advanced HART and 4 to 20 mA (includes option R1)		No additional options					(Notes 3, 4)		H	
Advanced HART and 4 to 20 mA (includes option R1)		Options requested by "Additional ordering code" (Note 3)							1	
PROFIBUS PA (includes option R1)		No additional options					(Notes 3, 4)		P	
PROFIBUS PA (includes option R1)		Options requested by "Additional ordering code" (Note 4)							2	
FOUNDATION Fieldbus (includes option R1)		No additional options					(Notes 3, 4)		F	
FOUNDATION Fieldbus (includes option R1)		Options requested by "Additional ordering code" (Note 4)							3	
HART and 4 to 20 mA Safety, certified to IEC 61508 (includes option R1)		No additional options					(Notes 3, 4)		T	
HART and 4 to 20 mA Safety, certified to IEC 61508 (includes option R1)		Options requested by "Additional ordering code" (Note 3)							8	

NOTE - Option R1 represents the external pushbuttons

Model 266DRH Differential

Model 266PRH and 266HRH Gauge

Model 266VRH and 266NRH Absolute

ADDITIONAL ORDERING INFORMATION for model 266PRH

Add one or more 2-digit code(s) after the basic ordering information to select all required options

		XX
Hazardous area certifications		
ATEX Intrinsic Safety II 1 G and II 1/2 G Ex ia IIC T6/T5/T4; II 1 D Ex iaD 20 T85 °C and II 1/2D Ex iaD 21 T85 °C	(Notes 3, 4)	E1
ATEX Explosion Proof Group II Category 1/2 G Ex d IIC T6 and Group II Category 1/2 D Ex tD A21 IP67 T85 °C	(Notes 3, 4, 5)	E2
ATEX Type „N“ Group II Category 3 G Ex nL IIC T6/T5/T4 and Group II Category 3 D Ex tD A22 IP67 T85 °C	(Notes 3, 4)	E3
Combined ATEX - Intrinsic Safety, Explosion Proof and Type „N“	(Notes 3, 4, 5)	EW
Combined ATEX - Intrinsic Safety and Explosion Proof	(Notes 3, 4, 5)	E7
Combined ATEX, FM Approvals (USA) and FM Approvals (Canada)	(Notes 3, 4, 5)	EN
FM Approvals (Canada) approval	(Notes 3, 4, 5)	E4
FM Approvals (USA) approval	(Notes 3, 4, 5)	E6
FM Approvals (USA and Canada) Intrinsic Safety	(Notes 3, 4)	EA
FM Approvals (USA and Canada) Explosion Proof	(Notes 3, 4, 5)	EB
FM Approvals (USA and Canada) Nonincendive	(Notes 3, 4)	EC
IECEX Intrinsic Safety Ex ia IIC T6/T5/T4; Ex iaD 20 T85 °C and Ex iaD 21 T85 °C;	(Notes 3, 4)	E8
IECEX Explosion Proof Ex d IIC T6 and Ex tD A21 IP67 T85 °C (Ta= -50 to +75 °C)	(Notes 3, 4, 5)	E9
IECEX Type „N“ Ex nL IIC T6/T5/T4	(Notes 3, 4)	ER
Combined IECEX - Intrinsic Safety, Explosion Proof and Type „N“	(Notes 3, 4, 5)	EI
Combined IECEX - Intrinsic Safety and Explosion Proof	(Notes 3, 4, 5)	EH
NEPSI Intrinsic Safety Ex ia IIC T4~T6, DIP A20TA, T4~T6	(Notes 3, 4)	EY
NEPSI Explosion Proof Ex d IIC T6, DIP A21TA, T6	(Notes 3, 4, 5)	EZ
NEPSI Type „N“ Ex nL IIC T4~T6, DIP A22TA, T6	(Notes 3, 4)	ES
Combined NEPSI - Intrinsic Safety, Explosion Proof and Type „N“	(Notes 3, 4, 5)	EQ
Combined NEPSI - Intrinsic Safety and Explosion Proof	(Notes 3, 4, 5)	EP
Other hazardous area certifications (ONLY AS ALTERNATIVE TO BASIC CERTIFICATION CODE Ex)		
GOST (Russia) Ex ia	(Notes 3, 4)	W1
GOST (Russia) Ex d	(Notes 3, 4, 5)	W2
GOST (Kazakhstan) Ex ia	(Notes 3, 4)	W3
GOST (Kazakhstan) Ex d	(Notes 3, 4, 5)	W4
Inmetro (Brazil) Ex ia	(Notes 3, 4, 7)	W5
Inmetro (Brazil) Ex d	(Notes 3, 4, 5, 7)	W6
Inmetro (Brazil) Ex nL	(Notes 3, 4, 7)	W7
Combined Inmetro (Brazil) - Intrinsic Safety, Explosion Proof and Type „N“	(Notes 3, 4, 5, 7)	W8
GOST (Belarus) Ex ia	(Notes 3, 4)	WF
GOST (Belarus) Ex d	(Notes 3, 4, 5)	WG
Combined GOST (Belarus) - Intrinsic Safety and Explosion Proof	(Notes 3, 4, 5)	WH
Kosha (Korea) Intrinsic Safety Ex ia IIC T6, IP67	(Notes 3, 4, 7)	WM
Kosha (Korea) Explosion Proof Ex d IIC T6, IP67	(Notes 3, 4, 5, 7)	WN
Combined Kosha (Korea) - Intrinsic Safety and Explosion Proof	(Notes 3, 4, 5, 7)	WP

ADDITIONAL ORDERING INFORMATION for model 266PRH			XX	XX	XX	XX	XX	XX	XX	XX
Integral LCD										
Digital LCD integral display	(Note 7)	L1								
TTG (Through-The-Glass) digital LCD controlled display	(Note 7)	L5								
Standard Digital LCD integral display (ONLY SELECTABLE WITH OUTPUT CODE 7)		L9								
External non intrusive Z, S and WP pushbuttons										
Transmitters with external pushbutton (ONLY SELECTABLE WITH OUTPUT CODE 7)		R1								
Mounting bracket (shape and material)										
For pipe mounting - Carbon steel	(Not suitable for AISI housing)	B1								
For pipe mounting - AISI 316 L ss		B2								
For wall mounting - Carbon steel	(Not suitable for AISI housing)	B3								
For wall mounting - AISI 316 L ss		B4								
Flat type for box - AISI 316 ss		B5								
Surge										
Surge/Transient Protector		S2								
Operating manual (up to 2 different selections allowed)										
German (ONLY FOR HART and PROFIBUS VERSIONS)		M1								
Italian (ONLY FOR HART VERSION)		M2								
Spanish (ONLY FOR HART VERSION)		M3								
French (ONLY FOR HART VERSION)		M4								
English		M5								
Chinese (ONLY FOR HART VERSION)		M6								
Swedish (ONLY FOR HART VERSION)		M7								
Polish (ONLY FOR HART VERSION)		M9								
Portuguese (ONLY FOR HART VERSION)		MA								
Turkish (ONLY FOR HART VERSION)		MT								
Plates language										
German		T1								
Italian		T2								
Spanish		T3								
French		T4								
Additional tag plate										
Supplemental wired-on stainless steel plate		I1								
Tag and certification stainless steel plates and laser printing of tag		I2								
Tag, certification and supplemental wired-on stainless steel plates and laser printing of tag		I3								
Configuration										
Standard – Pressure = inH2O/ psi at 68 °F; Temperature = deg. F		N2								
Standard – Pressure = inH2O/ psi at 39.2 °F; Temperature = deg. F		N3								
Standard – Pressure = inH2O/ psi at 20 °C; Temperature = deg. C		N4								
Standard – Pressure = inH2O/ psi at 4 °C; Temperature = deg. C		N5								
Custom		N6								
Certificates (up to 2 different selections allowed)										
Inspection certificate EN 10204–3.1 of calibration (9-point)		C1								
Inspection certificate EN 10204–3.1 of helium leakage test of the sensor module		C4								
Inspection certificate EN 10204–3.1 of the pressure test		C5								
Certificate of compliance with the order EN 10204–2.1 of instrument design		C6								
Printed record of configured data of transmitter		CG								
PMI test of wetted parts		CT								

Model 266DRH Differential

Model 266PRH and 266HRH Gauge

Model 266VRH and 266NRH Absolute

ADDITIONAL ORDERING INFORMATION FOR MODEL 266PRH		XX	XX	XX	XX
Approvals					
GOST (Russia) without Ex	(NOT APPLICABLE WITH ANY HAZARDOUS AREA CERTIFICATION)	Y1			
GOST (Kazakhstan) without Ex	(NOT APPLICABLE WITH ANY HAZARDOUS AREA CERTIFICATION)	Y2			
GOST (Belarus) without Ex	(NOT APPLICABLE WITH ANY HAZARDOUS AREA CERTIFICATION)	Y4			
Chinese pattern without Ex	(NOT APPLICABLE WITH ANY HAZARDOUS AREA CERTIFICATION)	Y5			
DNV approval	(Note 7)		YA		
Lloyd approval (PENDING)	(Note 7)		YB		
Approval for Custody transfer (PENDING)	(Note 7)		YC		
Material traceability					
Certificate of compliance with the order EN 10204–2.1 of process wetted parts					H1
Inspection certificate EN 10204–3.1 of process wetted parts					H3
Test report EN 10204–2.2 of pressure bearing and process wetted parts					H4
Connector					
Fieldbus 7/8 in. (Recommended for FOUNDATION Fieldbus) - (supplied loose without mating female plug)		(Notes 4, 6)			U1
Fieldbus M12x1 (Recommended for PROFIBUS PA) - (supplied loose without mating female plug)		(Notes 4, 6)			U2
Harting Han 8D – straight entry - (supplied loose)		(Notes 3, 6)			U3
Harting Han 8D – angle entry - (supplied loose)		(Notes 3, 6)			U4

Note 1: Suitable for oxygen service

Note 2: Select type in additional ordering code

Note 3: Not available with Housing code G, Z, W

Note 4: Not available with Housing code E, K

Note 5: Not available with Housing code J, K, W

Note 6: Not available with Housing code A, B, S, T, J

Note 7: Not available with Output code 7

Standard delivery items (can be differently specified by additional ordering code)

- General purpose (no electrical certification)
- No display, no mounting bracket, no surge protection
- Multilanguage short-form operating instruction manual and labels in english (metal nameplate; self-adhesive certification and tag)
- Configuration with kPa and deg. C units
- No test, inspection or material traceability certificates

BASIC ORDERING INFORMATION model 266HRH Gauge Pressure Transmitter with remote seal

Select one character or set of characters from each category and specify complete catalog number.

Refer to additional ordering information and specify one or more codes for each transmitter if additional options are required.

BASE MODEL - 1 st to 6 th characters				2 6 6 H R H	X	X	X	X	X
Gauge Pressure Transmitter with remote seal – BASE ACCURACY 0.06 %									
SENSOR - Span limits - 7 th character									
1.1 and 65 kPa	11 and 650 mbar	4.35 and 260 inH2O		G					
2.67 and 160 kPa	26.7 and 1600 mbar	10.7 and 642 inH2O		H					
10 and 600 kPa	0.1 and 6 bar	1.45 and 87 psi		M					
40 and 2400 kPa	0.4 and 24 bar	5.8 and 348 psi		P					
134 and 8000 kPa	1.34 and 80 bar	19.4 and 1160 psi		Q					
267 and 16000 kPa	2.67 and 160 bar	38.7 and 2320 psi		S					
1000 and 60000 kPa	10 and 600 bar	145 and 8700 psi		V					
Diaphragm material / Fill fluid - 8 th character									
AISI 316 L ss		Silicone oil		NACE	R				
AISI 316 L ss		Inert fluid - Galden	(Note 1)	NACE	2				
AISI 316 L ss		Inert fluid - Halocarbon	(Note 1)	NACE	W				
Process connection - 9 th character									
Remote seal (except button type)		(one seal to be quoted separately)						R	
Button type remote seal		(one button seal to be quoted separately)				(Note 2)		G	
Housing material and electrical connection - 10 th character									
Aluminium alloy (barrel version)		1/2 – 14 NPT							A
Aluminium alloy (barrel version)		M20 x 1.5 (CM 20)							B
Aluminium alloy (barrel version)		Harting Han 8D connector	(general purpose only)		(Note 3)				E
Aluminium alloy (barrel version)		Fieldbus connector	(general purpose only)		(Note 3)				G
AISI 316 L ss (barrel version)		1/2 – 14 NPT							S
AISI 316 L ss (barrel version)		M20 x 1.5 (CM20)							T
AISI 316 L ss (barrel version)		Fieldbus connector	(general purpose only)		(Note 3)				Z
Aluminium alloy (DIN version)		M20 x 1.5 (CM20)	(not Ex d or XP)						J
Aluminium alloy (DIN version)		Harting Han 8D connector	(general purpose only)		(Note 3)				K
Aluminium alloy (DIN version)		Fieldbus connector	(general purpose only)		(Note 3)				W
Output/Additional options - 11 th character									
Standard HART and 4 to 20 mA		No additional options			(Notes 4, 5)				L
Standard HART and 4 to 20 mA		Options requested by “Additional ordering code”			(Note 4)				7
Advanced HART and 4 to 20 mA (includes option R1)		No additional options			(Notes 4, 5)				H
Advanced HART and 4 to 20 mA (includes option R1)		Options requested by “Additional ordering code”			(Note 4)				1
PROFIBUS PA (includes option R1)		No additional options			(Notes 4, 5)				P
PROFIBUS PA (includes option R1)		Options requested by “Additional ordering code”			(Note 5)				2
FOUNDATION Fieldbus (includes option R1)		No additional options			(Notes 4, 5)				F
FOUNDATION Fieldbus (includes option R1)		Options requested by “Additional ordering code”			(Note 5)				3
HART and 4 to 20 mA Safety, certified to IEC 61508 (includes option R1)		No additional options			(Notes 4, 5)				T
HART and 4 to 20 mA Safety, certified to IEC 61508 (includes option R1)		Options requested by “Additional ordering code”			(Note 4)				8

NOTE - Option R1 represents the external pushbuttons

Model 266DRH Differential

Model 266PRH and 266HRH Gauge

Model 266VRH and 266NRH Absolute

ADDITIONAL ORDERING INFORMATION for model 266HRH

Add one or more 2-digit code(s) after the basic ordering information to select all required options

		XX
Hazardous area certifications		
ATEX Intrinsic Safety II 1 G and II 1/2 G Ex ia IIC T6/T5/T4; II 1 D Ex iaD 20 T85 °C and II 1/2D Ex iaD 21 T85 °C	(Notes 4, 5)	E1
ATEX Explosion Proof Group II Category 1/2 G Ex d IIC T6 and Group II Category 1/2 D Ex tD A21 IP67 T85 °C	(Notes 4, 5, 6)	E2
ATEX Type „N“ Group II Category 3 G Ex nL IIC T6/T5/T4 and Group II Category 3 D Ex tD A22 IP67 T85 °C	(Notes 4, 5)	E3
Combined ATEX - Intrinsic Safety, Explosion Proof and Type „N“	(Notes 4, 5, 6)	EW
Combined ATEX - Intrinsic Safety and Explosion Proof	(Notes 4, 5, 6)	E7
Combined ATEX, FM Approvals (USA) and FM Approvals (Canada)	(Notes 4, 5, 6)	EN
FM Approvals (Canada) approval	(Notes 4, 5, 6)	E4
FM Approvals (USA) approval	(Notes 4, 5, 6)	E6
FM Approvals (USA and Canada) Intrinsic Safety	(Notes 4, 5)	EA
FM Approvals (USA and Canada) Explosion Proof	(Notes 4, 5, 6)	EB
FM Approvals (USA and Canada) Nonincendive	(Notes 4, 5)	EC
IECEX Intrinsic Safety Ex ia IIC T6/T5/T4; Ex iaD 20 T85 °C and Ex iaD 21 T85 °C;	(Notes 4, 5)	E8
IECEX Explosion Proof Ex d IIC T6 and Ex tD A21 IP67 T85 °C (Ta= -50 to +75 °C)	(Notes 4, 5, 6)	E9
IECEX Type „N“ Ex nL IIC T6/T5/T4	(Notes 4, 5)	ER
Combined IECEX - Intrinsic Safety, Explosion Proof and Type „N“	(Notes 4, 5, 6)	EI
Combined IECEX - Intrinsic Safety and Explosion Proof	(Notes 4, 5, 6)	EH
NEPSI Intrinsic Safety Ex ia IIC T4~T6, DIP A20TA, T4~T6	(Notes 4, 5)	EY
NEPSI Explosion Proof Ex d IIC T6, DIP A21TA, T6	(Notes 4, 5, 6)	EZ
NEPSI Type „N“ Ex nL IIC T4~T6, DIP A22TA, T6	(Notes 4, 5)	ES
Combined NEPSI - Intrinsic Safety, Explosion Proof and Type „N“	(Notes 4, 5, 6)	EQ
Combined NEPSI - Intrinsic Safety and Explosion Proof	(Notes 4, 5, 6)	EP
Other hazardous area certifications (ONLY AS ALTERNATIVE TO BASIC CERTIFICATION CODE Ex)		
GOST (Russia) Ex ia	(Notes 4, 5)	W1
GOST (Russia) Ex d	(Notes 4, 5, 6)	W2
GOST (Kazakhstan) Ex ia	(Notes 4, 5)	W3
GOST (Kazakhstan) Ex d	(Notes 4, 5, 6)	W4
Inmetro (Brazil) Ex ia	(Notes 4, 5, 8)	W5
Inmetro (Brazil) Ex d	(Notes 4, 5, 6, 8)	W6
Inmetro (Brazil) Ex nL	(Notes 4, 5, 8)	W7
Combined Inmetro (Brazil) - Intrinsic Safety, Explosion Proof and Type „N“	(Notes 4, 5, 6, 8)	W8
GOST (Belarus) Ex ia	(Notes 4, 5)	WF
GOST (Belarus) Ex d	(Notes 4, 5, 6)	WG
Combined GOST (Belarus) - Intrinsic Safety and Explosion Proof	(Notes 4, 5, 6)	WH
Kosha (Korea) Intrinsic Safety Ex ia IIC T6, IP67	(Notes 4, 5, 8)	WM
Kosha (Korea) Explosion Proof Ex d IIC T6, IP67	(Notes 4, 5, 6, 8)	WN
Combined Kosha (Korea) - Intrinsic Safety and Explosion Proof	(Notes 4, 5, 6, 8)	WP

ADDITIONAL ORDERING INFORMATION for model 266HRH		XX	XX	XX	XX	XX	XX	XX	XX
Integral LCD									
Digital LCD integral display	(Note 8)	L1							
TTG (Through-The-Glass) digital LCD controlled display	(Note 8)	L5							
Standard Digital LCD integral display (ONLY SELECTABLE WITH OUTPUT CODE 7)		L9							
External non intrusive Z, S and WP pushbuttons									
Transmitters with external pushbutton (ONLY SELECTABLE WITH OUTPUT CODE 7)		R1							
Mounting bracket (shape and material)									
For pipe/wall mounting - Carbon steel	(Not suitable for AISI housing)		B6						
For pipe/wall mounting - AISI 316 L ss			B7						
Surge									
Surge/Transient Protector				S2					
Operating manual (up to 2 different selections allowed)									
German (ONLY FOR HART and PROFIBUS VERSIONS)					M1				
Italian (ONLY FOR HART VERSION)					M2				
Spanish (ONLY FOR HART VERSION)					M3				
French (ONLY FOR HART VERSION)					M4				
English					M5				
Chinese (ONLY FOR HART VERSION)					M6				
Swedish (ONLY FOR HART VERSION)					M7				
Polish (ONLY FOR HART VERSION)					M9				
Portuguese (ONLY FOR HART VERSION)					MA				
Turkish (ONLY FOR HART VERSION)					MT				
Plates language									
German						T1			
Italian						T2			
Spanish						T3			
French						T4			
Additional tag plate									
Supplemental wired-on stainless steel plate							I1		
Tag and certification stainless steel plates and laser printing of tag							I2		
Tag, certification and supplemental wired-on stainless steel plates and laser printing of tag							I3		
Configuration									
Standard – Pressure = inH2O/ psi at 68 °F; Temperature = deg. F								N2	
Standard – Pressure = inH2O/ psi at 39.2 °F; Temperature = deg. F								N3	
Standard – Pressure = inH2O/ psi at 20 °C; Temperature = deg. C								N4	
Standard – Pressure = inH2O/ psi at 4 °C; Temperature = deg. C								N5	
Custom								N6	
Certificates (up to 2 different selections allowed)									
Inspection certificate EN 10204–3.1 of calibration (9-point)									C1
Inspection certificate EN 10204–3.1 of helium leakage test of the sensor module									C4
Inspection certificate EN 10204–3.1 of the pressure test									C5
Certificate of compliance with the order EN 10204–2.1 of instrument design									C6
Printed record of configured data of transmitter									CG
PMI test of wetted parts									CT

Model 266DRH Differential

Model 266PRH and 266HRH Gauge

Model 266VRH and 266NRH Absolute

ADDITIONAL ORDERING INFORMATION FOR MODEL 266HRH		XX	XX	XX	XX
Approvals					
GOST (Russia) without Ex	(NOT APPLICABLE WITH ANY HAZARDOUS AREA CERTIFICATION)	Y1			
GOST (Kazakhstan) without Ex	(NOT APPLICABLE WITH ANY HAZARDOUS AREA CERTIFICATION)	Y2			
GOST (Belarus) without Ex	(NOT APPLICABLE WITH ANY HAZARDOUS AREA CERTIFICATION)	Y4			
Chinese pattern without Ex	(NOT APPLICABLE WITH ANY HAZARDOUS AREA CERTIFICATION)	Y5			
DNV approval	(Note 8)		YA		
Lloyd approval (PENDING)	(Note 8)		YB		
Approval for Custody transfer (PENDING)	(Note 8)		YC		
Material traceability					
Certificate of compliance with the order EN 10204–2.1 of process wetted parts					H1
Inspection certificate EN 10204–3.1 of process wetted parts					H3
Test report EN 10204–2.2 of pressure bearing and process wetted parts					H4
Connector					
Fieldbus 7/8 in. (Recommended for FOUNDATION Fieldbus) - (supplied loose without mating female plug)		(Notes 5, 7)			U1
Fieldbus M12x1 (Recommended for PROFIBUS PA) - (supplied loose without mating female plug)		(Notes 5, 7)			U2
Harting Han 8D – straight entry - (supplied loose)		(Notes 4, 7)			U3
Harting Han 8D – angle entry - (supplied loose)		(Notes 4, 7)			U4

Note 1: Suitable for oxygen service - NOT AVAILABLE FOR SENSOR CODE V

Note 2: Not available with Sensor code G, H, M, P

Note 3: Select type in additional ordering code

Note 4: Not available with Housing code G, Z, W

Note 5: Not available with Housing code E, K

Note 6: Not available with Housing code J, K, W

Note 7: Not available with Housing code A, B, S, T, J

Note 8: Not available with Output code 7

Standard delivery items (can be differently specified by additional ordering code)

- General purpose (no electrical certification)
- No display, no mounting bracket, no surge protection
- Multilanguage short-form operating instruction manual and labels in english (metal nameplate; self-adhesive certification and tag)
- Configuration with kPa and deg. C units
- No test, inspection or material traceability certificates

BASIC ORDERING INFORMATION model 266VRH Absolute Pressure Transmitter with remote seal

Select one character or set of characters from each category and specify complete catalog number.

Refer to additional ordering information and specify one or more codes for each transmitter if additional options are required.

BASE MODEL - 1 st to 6 th characters			2	6	V	R	H	X	S	X	X	X	X	X
Gauge Pressure Transmitter with remote seal- BASE ACCURACY 0.10 %														
SENSOR - Span limits - 7 th character														
0.8 and 16 kPa	8 and 160 mbar	6 and 120 mmHg						E						
0.67 and 40 kPa	6.7 and 400 mbar	5 and 300 mmHg						F						
1.1 and 65 kPa	11 and 650 mbar	8 and 480 mmHg						G						
2.67 and 160 kPa	26.7 and 1600 mbar	20 and 1200 mmHg						H						
10 and 600 kPa	0.1 and 6 bar	1.45 and 87 psi						M						
40 and 2400 kPa	0.4 and 24 bar	5.8 and 348 psi						P						
134 and 8000 kPa	1.34 and 80 bar	19.4 and 1160 psi						Q						
267 and 16000 kPa	2.67 and 160 bar	38.7 and 2320 psi						S						
Use code - 8 th character									S					
Diaphragm material / Fill fluid - 9 th character														
AISI 316 L ss	Silicone oil							NACE		R				
AISI 316 L ss	Inert fluid - Galden		(Note 1)					NACE		2				
AISI 316 L ss	Inert fluid - Halocarbon		(Note 1)					NACE		W				
Process flanges/adapters material and connection - 10 th character														
AISI 316 L ss for seal construction	(one remote seal to be quoted)							NACE			R			
Bolts/Gasket - 11 th character														
AISI 316 ss (NACE) without gaskets for seal construction – (MWP = 16 MPa)								NACE				R		
AISI 316 ss without gaskets for seal construction												S		
Housing material and electrical connection - 12 th character														
Aluminium alloy (barrel version)	1/2 – 14 NPT													A
Aluminium alloy (barrel version)	M20 x 1.5 (CM 20)													B
Aluminium alloy (barrel version)	Harting Han 8D connector						(general purpose only)			(Note 2)				E
Aluminium alloy (barrel version)	Fieldbus connector						(general purpose only)			(Note 2)				G
AISI 316 L ss (barrel version)	1/2 – 14 NPT													S
AISI 316 L ss (barrel version)	M20 x 1.5 (CM20)													T
AISI 316 L ss (barrel version)	Fieldbus connector						(general purpose only)			(Note 2)				Z
Aluminium alloy (DIN version)	M20 x 1.5 (CM20)						(not Ex d or XP)							J
Aluminium alloy (DIN version)	Harting Han 8D connector						(general purpose only)			(Note 2)				K
Aluminium alloy (DIN version)	Fieldbus connector						(general purpose only)			(Note 2)				W
Output/Additional options - 13 th character														
Standard HART and 4 to 20 mA			No additional options						(Notes 3, 4)				L	
Standard HART and 4 to 20 mA			Options requested by “Additional ordering code”			(Note 3)							7	
Advanced HART and 4 to 20 mA (includes option R1)			No additional options						(Notes 3, 4)				H	
Advanced HART and 4 to 20 mA (includes option R1)			Options requested by “Additional ordering code”			(Note 3)							1	
PROFIBUS PA (includes option R1)			No additional options						(Notes 3, 4)				P	
PROFIBUS PA (includes option R1)			Options requested by “Additional ordering code”			(Note 4)							2	
FOUNDATION Fieldbus (includes option R1)			No additional options						(Notes 3, 4)				F	
FOUNDATION Fieldbus (includes option R1)			Options requested by “Additional ordering code”			(Note 4)							3	
HART and 4 to 20 mA Safety, certified to IEC 61508 (includes option R1)			No additional options						(Notes 3, 4)				T	
HART and 4 to 20 mA Safety, certified to IEC 61508 (includes option R1)			Options requested by “Additional ordering code”			(Note 3)							8	

NOTE - Option R1 represents the external pushbuttons

Model 266DRH Differential

Model 266PRH and 266HRH Gauge

Model 266VRH and 266NRH Absolute

ADDITIONAL ORDERING INFORMATION for model 266VRH

Add one or more 2-digit code(s) after the basic ordering information to select all required options

	XX
Hazardous area certifications	
ATEX Intrinsic Safety II 1 G and II 1/2 G Ex ia IIC T6/T5/T4; II 1 D Ex iaD 20 T85 °C and II 1/2D Ex iaD 21 T85 °C	(Notes 3, 4) E1
ATEX Explosion Proof Group II Category 1/2 G Ex d IIC T6 and Group II Category 1/2 D Ex tD A21 IP67 T85 °C	(Notes 3, 4, 5) E2
ATEX Type „N“ Group II Category 3 G Ex nL IIC T6/T5/T4 and Group II Category 3 D Ex tD A22 IP67 T85 °C	(Notes 3, 4) E3
Combined ATEX - Intrinsic Safety, Explosion Proof and Type „N“	(Notes 3, 4, 5) EW
Combined ATEX - Intrinsic Safety and Explosion Proof	(Notes 3, 4, 5) E7
Combined ATEX, FM Approvals (USA) and FM Approvals (Canada)	(Notes 3, 4, 5) EN
FM Approvals (Canada) approval	(Notes 3, 4, 5) E4
FM Approvals (USA) approval	(Notes 3, 4, 5) E6
FM Approvals (USA and Canada) Intrinsic Safety	(Notes 3, 4) EA
FM Approvals (USA and Canada) Explosion Proof	(Notes 3, 4, 5) EB
FM Approvals (USA and Canada) Nonincendive	(Notes 3, 4) EC
IECEX Intrinsic Safety Ex ia IIC T6/T5/T4; Ex iaD 20 T85 °C and Ex iaD 21 T85 °C;	(Notes 3, 4) E8
IECEX Explosion Proof Ex d IIC T6 and Ex tD A21 IP67 T85 °C (Ta= -50 to +75 °C)	(Notes 3, 4, 5) E9
IECEX Type „N“ Ex nL IIC T6/T5/T4	(Notes 3, 4) ER
Combined IECEX - Intrinsic Safety, Explosion Proof and Type „N“	(Notes 3, 4, 5) EI
Combined IECEX - Intrinsic Safety and Explosion Proof	(Notes 3, 4, 5) EH
NEPSI Intrinsic Safety Ex ia IIC T4~T6, DIP A20TA, T4~T6	(Notes 3, 4) EY
NEPSI Explosion Proof Ex d IIC T6, DIP A21TA, T6	(Notes 3, 4, 5) EZ
NEPSI Type „N“ Ex nL IIC T4~T6, DIP A22TA, T6	(Notes 3, 4) ES
Combined NEPSI - Intrinsic Safety, Explosion Proof and Type „N“	(Notes 3, 4, 5) EQ
Combined NEPSI - Intrinsic Safety and Explosion Proof	(Notes 3, 4, 5) EP
Other hazardous area certifications (ONLY AS ALTERNATIVE TO BASIC CERTIFICATION CODE Ex)	
GOST (Russia) Ex ia	(Notes 3, 4) W1
GOST (Russia) Ex d	(Notes 3, 4, 5) W2
GOST (Kazakhstan) Ex ia	(Notes 3, 4) W3
GOST (Kazakhstan) Ex d	(Notes 3, 4, 5) W4
Inmetro (Brazil) Ex ia	(Notes 3, 4, 7) W5
Inmetro (Brazil) Ex d	(Notes 3, 4, 5, 7) W6
Inmetro (Brazil) Ex nL	(Notes 3, 4, 7) W7
Combined Inmetro (Brazil) - Intrinsic Safety, Explosion Proof and Type „N“	(Notes 3, 4, 5, 7) W8
GOST (Belarus) Ex ia	(Notes 3, 4) WF
GOST (Belarus) Ex d	(Notes 3, 4, 5) WG
Combined GOST (Belarus) - Intrinsic Safety and Explosion Proof	(Notes 3, 4, 5) WH
Kosha (Korea) Intrinsic Safety Ex ia IIC T6, IP67	(Notes 3, 4, 7) WM
Kosha (Korea) Explosion Proof Ex d IIC T6, IP67	(Notes 3, 4, 5, 7) WN
Combined Kosha (Korea) - Intrinsic Safety and Explosion Proof	(Notes 3, 4, 5, 7) WP

ADDITIONAL ORDERING INFORMATION for model 266VRH			XX	XX	XX	XX	XX	XX	XX	XX
Integral LCD										
Digital LCD integral display	(Note 7)	L1								
TTG (Through-The-Glass) digital LCD controlled display	(Note 7)	L5								
Standard Digital LCD integral display (ONLY SELECTABLE WITH OUTPUT CODE 7)		L9								
External non intrusive Z, S and WP pushbuttons										
Transmitters with external pushbutton (ONLY SELECTABLE WITH OUTPUT CODE 7)		R1								
Mounting bracket (shape and material)										
For pipe mounting - Carbon steel	(Not suitable for AISI housing)	B1								
For pipe mounting - AISI 316 L ss		B2								
For wall mounting - Carbon steel	(Not suitable for AISI housing)	B3								
For wall mounting - AISI 316 L ss		B4								
Flat type for box - AISI 316 ss		B5								
Surge										
Surge/Transient Protector		S2								
Operating manual (up to 2 different selections allowed)										
German (ONLY FOR HART and PROFIBUS VERSIONS)		M1								
Italian (ONLY FOR HART VERSION)		M2								
Spanish (ONLY FOR HART VERSION)		M3								
French (ONLY FOR HART VERSION)		M4								
English		M5								
Chinese (ONLY FOR HART VERSION)		M6								
Swedish (ONLY FOR HART VERSION)		M7								
Polish (ONLY FOR HART VERSION)		M9								
Portuguese (ONLY FOR HART VERSION)		MA								
Turkish (ONLY FOR HART VERSION)		MT								
Plates language										
German		T1								
Italian		T2								
Spanish		T3								
French		T4								
Additional tag plate										
Supplemental wired-on stainless steel plate		I1								
Tag and certification stainless steel plates and laser printing of tag		I2								
Tag, certification and supplemental wired-on stainless steel plates and laser printing of tag		I3								
Configuration										
Standard – Pressure = inH2O/ psi at 68 °F; Temperature = deg. F		N2								
Standard – Pressure = inH2O/ psi at 39.2 °F; Temperature = deg. F		N3								
Standard – Pressure = inH2O/ psi at 20 °C; Temperature = deg. C		N4								
Standard – Pressure = inH2O/ psi at 4 °C; Temperature = deg. C		N5								
Custom		N6								
Certificates (up to 2 different selections allowed)										
Inspection certificate EN 10204–3.1 of calibration (9-point)		C1								
Inspection certificate EN 10204–3.1 of helium leakage test of the sensor module		C4								
Inspection certificate EN 10204–3.1 of the pressure test		C5								
Certificate of compliance with the order EN 10204–2.1 of instrument design		C6								
Printed record of configured data of transmitter		CG								
PMI test of wetted parts		CT								

Model 266DRH Differential

Model 266PRH and 266HRH Gauge

Model 266VRH and 266NRH Absolute

ADDITIONAL ORDERING INFORMATION FOR MODEL 266VRH		XX	XX	XX	XX
Approvals					
GOST (Russia) without Ex	(NOT APPLICABLE WITH ANY HAZARDOUS AREA CERTIFICATION)	Y1			
GOST (Kazakhstan) without Ex	(NOT APPLICABLE WITH ANY HAZARDOUS AREA CERTIFICATION)	Y2			
GOST (Belarus) without Ex	(NOT APPLICABLE WITH ANY HAZARDOUS AREA CERTIFICATION)	Y4			
Chinese pattern without Ex	(NOT APPLICABLE WITH ANY HAZARDOUS AREA CERTIFICATION)	Y5			
DNV approval	(Note 7)		YA		
Lloyd approval (PENDING)	(Note 7)		YB		
Approval for Custody transfer (PENDING)	(Note 7)		YC		
Material traceability					
Certificate of compliance with the order EN 10204–2.1 of process wetted parts					H1
Inspection certificate EN 10204–3.1 of process wetted parts					H3
Test report EN 10204–2.2 of pressure bearing and process wetted parts					H4
Connector					
Fieldbus 7/8 in. (Recommended for FOUNDATION Fieldbus) - (supplied loose without mating female plug)		(Notes 4, 6)			U1
Fieldbus M12x1 (Recommended for PROFIBUS PA) - (supplied loose without mating female plug)		(Notes 4, 6)			U2
Harting Han 8D – straight entry - (supplied loose)		(Notes 3, 6)			U3
Harting Han 8D – angle entry - (supplied loose)		(Notes 3, 6)			U4

Note 1: Suitable for oxygen service

Note 2: Select type in additional ordering code

Note 3: Not available with Housing code G, Z, W

Note 4: Not available with Housing code E, K

Note 5: Not available with Housing code J, K, W

Note 6: Not available with Housing code A, B, S, T, J

Note 7: Not available with Output code 7

Standard delivery items (can be differently specified by additional ordering code)

- General purpose (no electrical certification)
- No display, no mounting bracket, no surge protection
- Multilanguage short-form operating instruction manual and labels in english (metal nameplate; self-adhesive certification and tag)
- Configuration with kPa and deg. C units
- No test, inspection or material traceability certificates

BASIC ORDERING INFORMATION model 266NRH Absolute Pressure Transmitter with remote seal

Select one character or set of characters from each category and specify complete catalog number.

Refer to additional ordering information and specify one or more codes for each transmitter if additional options are required.

BASE MODEL - 1 st to 6 th characters				2 6 6 N R H	X	X	X	X	X
Absolute Pressure Transmitter with remote seal – BASE ACCURACY 0.10 %									
SENSOR - Span limits - 7 th character									
1.1 and 65 kPa	11 and 650 mbar	4.35 and 260 inH2O		G					
2.67 and 160 kPa	26.7 and 1600 mbar	10.7 and 642 inH2O		H					
10 and 600 kPa	0.1 and 6 bar	1.45 and 87 psi		M					
40 and 2400 kPa	0.4 and 24 bar	5.8 and 348 psi		P					
134 and 8000 kPa	1.34 and 80 bar	19.4 and 1160 psi		Q					
267 and 16000 kPa	2.67 and 160 bar	38.7 and 2320 psi		S					
Diaphragm material / Fill fluid - 8 th character									
AISI 316 L ss		Silicone oil		NACE		R			
AISI 316 L ss		Inert fluid - Galden	(Note 1)	NACE		2			
AISI 316 L ss		Inert fluid - Halocarbon	(Note 1)	NACE		W			
Process connection - 9 th character									
Remote seal (except button type)				(one seal to be quoted separately)			R		
Housing material and electrical connection - 10 th character									
Aluminium alloy (barrel version)		1/2 – 14 NPT							A
Aluminium alloy (barrel version)		M20 x 1.5 (CM 20)							B
Aluminium alloy (barrel version)		Harting Han 8D connector		(general purpose only)	(Note 2)				E
Aluminium alloy (barrel version)		Fieldbus connector		(general purpose only)	(Note 2)				G
AISI 316 L ss (barrel version)		1/2 – 14 NPT							S
AISI 316 L ss (barrel version)		M20 x 1.5 (CM20)							T
AISI 316 L ss (barrel version)		Fieldbus connector		(general purpose only)	(Note 2)				Z
Aluminium alloy (DIN version)		M20 x 1.5 (CM20)		(not Ex d or XP)					J
Aluminium alloy (DIN version)		Harting Han 8D connector		(general purpose only)	(Note 2)				K
Aluminium alloy (DIN version)		Fieldbus connector		(general purpose only)	(Note 2)				W
Output/Additional options - 11 th character									
Standard HART and 4 to 20 mA		No additional options		(Notes 3, 4)					L
Standard HART and 4 to 20 mA		Options requested by “Additional ordering code”		(Note 3)					7
Advanced HART and 4 to 20 mA (includes option R1)		No additional options		(Notes 3, 4)					H
Advanced HART and 4 to 20 mA (includes option R1)		Options requested by “Additional ordering code”		(Note 3)					1
PROFIBUS PA (includes option R1)		No additional options		(Notes 3, 4)					P
PROFIBUS PA (includes option R1)		Options requested by “Additional ordering code”		(Note 4)					2
FOUNDATION Fieldbus (includes option R1)		No additional options		(Notes 3, 4)					F
FOUNDATION Fieldbus (includes option R1)		Options requested by “Additional ordering code”		(Note 4)					3
HART and 4 to 20 mA Safety, certified to IEC 61508 (includes option R1)		No additional options		(Notes 3, 4)					T
HART and 4 to 20 mA Safety, certified to IEC 61508 (includes option R1)		Options requested by “Additional ordering code”		(Note 3)					8

NOTE - Option R1 represents the external pushbuttons

Model 266DRH Differential

Model 266PRH and 266HRH Gauge

Model 266VRH and 266NRH Absolute

ADDITIONAL ORDERING INFORMATION for model 266NRH

Add one or more 2-digit code(s) after the basic ordering information to select all required options

	XX
Hazardous area certifications	
ATEX Intrinsic Safety II 1 G and II 1/2 G Ex ia IIC T6/T5/T4; II 1 D Ex iaD 20 T85 °C and II 1/2D Ex iaD 21 T85 °C	(Notes 3, 4) E1
ATEX Explosion Proof Group II Category 1/2 G Ex d IIC T6 and Group II Category 1/2 D Ex tD A21 IP67 T85 °C	(Notes 3, 4, 5) E2
ATEX Type „N“ Group II Category 3 G Ex nL IIC T6/T5/T4 and Group II Category 3 D Ex tD A22 IP67 T85 °C	(Notes 3, 4) E3
Combined ATEX - Intrinsic Safety, Explosion Proof and Type „N“	(Notes 3, 4, 5) EW
Combined ATEX - Intrinsic Safety and Explosion Proof	(Notes 3, 4, 5) E7
Combined ATEX, FM Approvals (USA) and FM Approvals (Canada)	(Notes 3, 4, 5) EN
FM Approvals (Canada) approval	(Notes 3, 4, 5) E4
FM Approvals (USA) approval	(Notes 3, 4, 5) E6
FM Approvals (USA and Canada) Intrinsic Safety	(Notes 3, 4) EA
FM Approvals (USA and Canada) Explosion Proof	(Notes 3, 4, 5) EB
FM Approvals (USA and Canada) Nonincendive	(Notes 3, 4) EC
IECEX Intrinsic Safety Ex ia IIC T6/T5/T4; Ex iaD 20 T85 °C and Ex iaD 21 T85 °C;	(Notes 3, 4) E8
IECEX Explosion Proof Ex d IIC T6 and Ex tD A21 IP67 T85 °C (Ta= -50 to +75 °C)	(Notes 3, 4, 5) E9
IECEX Type „N“ Ex nL IIC T6/T5/T4	(Notes 3, 4) ER
Combined IECEX - Intrinsic Safety, Explosion Proof and Type „N“	(Notes 3, 4, 5) EI
Combined IECEX - Intrinsic Safety and Explosion Proof	(Notes 3, 4, 5) EH
NEPSI Intrinsic Safety Ex ia IIC T4~T6, DIP A20TA, T4~T6	(Notes 3, 4) EY
NEPSI Explosion Proof Ex d IIC T6, DIP A21TA, T6	(Notes 3, 4, 5) EZ
NEPSI Type „N“ Ex nL IIC T4~T6, DIP A22TA, T6	(Notes 3, 4) ES
Combined NEPSI - Intrinsic Safety, Explosion Proof and Type „N“	(Notes 3, 4, 5) EQ
Combined NEPSI - Intrinsic Safety and Explosion Proof	(Notes 3, 4, 5) EP
Other hazardous area certifications (ONLY AS ALTERNATIVE TO BASIC CERTIFICATION CODE Ex)	
GOST (Russia) Ex ia	(Notes 3, 4) W1
GOST (Russia) Ex d	(Notes 3, 4, 5) W2
GOST (Kazakhstan) Ex ia	(Notes 3, 4) W3
GOST (Kazakhstan) Ex d	(Notes 3, 4, 5) W4
Inmetro (Brazil) Ex ia	(Notes 3, 4, 7) W5
Inmetro (Brazil) Ex d	(Notes 3, 4, 5, 7) W6
Inmetro (Brazil) Ex nL	(Notes 3, 4, 7) W7
Combined Inmetro (Brazil) - Intrinsic Safety, Explosion Proof and Type „N“	(Notes 3, 4, 5, 7) W8
GOST (Belarus) Ex ia	(Notes 3, 4) WF
GOST (Belarus) Ex d	(Notes 3, 4, 5) WG
Combined GOST (Belarus) - Intrinsic Safety and Explosion Proof	(Notes 3, 4, 5) WH
Kosha (Korea) Intrinsic Safety Ex ia IIC T6, IP67	(Notes 3, 4, 7) WM
Kosha (Korea) Explosion Proof Ex d IIC T6, IP67	(Notes 3, 4, 5, 7) WN
Combined Kosha (Korea) - Intrinsic Safety and Explosion Proof	(Notes 3, 4, 5, 7) WP

ADDITIONAL ORDERING INFORMATION for model 266NRH		XX	XX	XX	XX	XX	XX	XX	XX
Integral LCD									
Digital LCD integral display	(Note 7)	L1							
TTG (Through-The-Glass) digital LCD controlled display	(Note 7)	L5							
Standard Digital LCD integral display (ONLY SELECTABLE WITH OUTPUT CODE 7)		L9							
External non intrusive Z, S and WP pushbuttons									
Transmitters with external pushbutton (ONLY SELECTABLE WITH OUTPUT CODE 7)			R1						
Mounting bracket (shape and material)									
For pipe/wall mounting - Carbon steel	(Not suitable for AISI housing)						B6		
For pipe/wall mounting - AISI 316 L ss							B7		
Surge									
Surge/Transient Protector								S2	
Operating manual (up to 2 different selections allowed)									
German (ONLY FOR HART and PROFIBUS VERSIONS)								M1	
Italian (ONLY FOR HART VERSION)								M2	
Spanish (ONLY FOR HART VERSION)								M3	
French (ONLY FOR HART VERSION)								M4	
English								M5	
Chinese (ONLY FOR HART VERSION)								M6	
Swedish (ONLY FOR HART VERSION)								M7	
Polish (ONLY FOR HART VERSION)								M9	
Portuguese (ONLY FOR HART VERSION)								MA	
Turkish (ONLY FOR HART VERSION)								MT	
Plates language									
German									T1
Italian									T2
Spanish									T3
French									T4
Additional tag plate									
Supplemental wired-on stainless steel plate									I1
Tag and certification stainless steel plates and laser printing of tag									I2
Tag, certification and supplemental wired-on stainless steel plates and laser printing of tag									I3
Configuration									
Standard – Pressure = inH2O/ psi at 68 °F; Temperature = deg. F									N2
Standard – Pressure = inH2O/ psi at 39.2 °F; Temperature = deg. F									N3
Standard – Pressure = inH2O/ psi at 20 °C; Temperature = deg. C									N4
Standard – Pressure = inH2O/ psi at 4 °C; Temperature = deg. C									N5
Custom									N6
Certificates (up to 2 different selections allowed)									
Inspection certificate EN 10204–3.1 of calibration (9-point)									C1
Inspection certificate EN 10204–3.1 of helium leakage test of the sensor module									C4
Inspection certificate EN 10204–3.1 of the pressure test									C5
Certificate of compliance with the order EN 10204–2.1 of instrument design									C6
Printed record of configured data of transmitter									CG
PMI test of wetted parts									CT

Model 266DRH Differential

Model 266PRH and 266HRH Gauge

Model 266VRH and 266NRH Absolute

ADDITIONAL ORDERING INFORMATION FOR MODEL 266NRH		XX	XX	XX	XX
Approvals					
GOST (Russia) without Ex	(NOT APPLICABLE WITH ANY HAZARDOUS AREA CERTIFICATION)	Y1			
GOST (Kazakhstan) without Ex	(NOT APPLICABLE WITH ANY HAZARDOUS AREA CERTIFICATION)	Y2			
GOST (Belarus) without Ex	(NOT APPLICABLE WITH ANY HAZARDOUS AREA CERTIFICATION)	Y4			
Chinese pattern without Ex	(NOT APPLICABLE WITH ANY HAZARDOUS AREA CERTIFICATION)	Y5			
DNV approval	(Note 7)	YA			
Lloyd approval (PENDING)	(Note 7)	YB			
Approval for Custody transfer (PENDING)	(Note 7)	YC			
Material traceability					
Certificate of compliance with the order EN 10204–2.1 of process wetted parts					H1
Inspection certificate EN 10204–3.1 of process wetted parts					H3
Test report EN 10204–2.2 of pressure bearing and process wetted parts					H4
Connector					
Fieldbus 7/8 in. (Recommended for FOUNDATION Fieldbus) - (supplied loose without mating female plug)		(Notes 4, 6)			U1
Fieldbus M12x1 (Recommended for PROFIBUS PA) - (supplied loose without mating female plug)		(Notes 4, 6)			U2
Harting Han 8D – straight entry - (supplied loose)		(Notes 3, 6)			U3
Harting Han 8D – angle entry - (supplied loose)		(Notes 3, 6)			U4

Note 1: Suitable for oxygen service

Note 2: Select type in additional ordering code

Note 3: Not available with Housing code G, Z, W

Note 4: Not available with Housing code E, K

Note 5: Not available with Housing code J, K, W

Note 6: Not available with Housing code A, B, S, T, J

Note 7: Not available with Output code 7

Standard delivery items (can be differently specified by additional ordering code)

- General purpose (no electrical certification)
- No display, no mounting bracket, no surge protection
- Multilanguage short-form operating instruction manual and labels in english (metal nameplate; self-adhesive certification and tag)
- Configuration with kPa and deg. C units
- No test, inspection or material traceability certificates

IMPORTANT REMARK FOR ALL MODELS

THE SELECTION OF SUITABLE WETTED PARTS AND FILLING FLUID FOR COMPATIBILITY WITH THE PROCESS MEDIA IS A CUSTOMER'S RESPONSIBILITY, IF NOT OTHERWISE NOTIFIED BEFORE MANUFACTURING.

NACE COMPLIANCE INFORMATION

- (1) The materials of constructions comply with metallurgical recommendations of NACE MR0175/ISO 15156 for sour oil field production environments. As specific environmental limits may apply to certain materials, please consult latest standard for further details. AISI 316/316 L, Hastelloy C-276, Monel 400 also conform to NACE MR0103 for sour refining environments.
- (2) NACE MR-01-75 addresses bolting requirements in two classes:
 - Exposed bolts: bolts directly exposed to the sour environment or buried, encapsulated or anyway not exposed to atmosphere
 - Non exposed bolts: the bolting must not be directly exposed to sour environments and must be directly exposed to the atmosphere at all times.

266DRH, 266PRH, 266VRH bolting identified by "NACE" are in compliance with requirements of NACE MR0175 when considered "exposed bolting".

- ™ Hastelloy C-276 is a Cabot Corporation trademark
- ™ Hastelloy C-2000 is an Haynes International trademark
- ™ Monel is an International Nickel Co. trademark
- ™ Viton is a Dupont de Nemour trademark
- ™ DC200 is a Dow Corning Corporation trademark
- ™ DC704 is a Dow Corning Corporation trademark
- ™ Galden is a Montefluos trademark
- ™ Halocarbon is a Halocarbon Products Co. trademark
- ™ Baysilone is a GE Bayer trademark
- ™ Neobee M-20 is a Stepan Company trademark
- ™ Esso Marcol 122 is a Esso Italiana trademark
- ™ Syltherm is a Dow Chemical Company trademark

Contact us

ABB Ltd.

Process Automation

Howard Road
St. Neots
Cambridgeshire PE19 8EU
UK
Tel: +44 (0)1480 475321
Fax: +44 (0)1480 217948

ABB Inc.

Process Automation

125 E. County Line Road
Warminster
PA 18974
USA
Tel: +1 215 674 6000
Fax: +1 215 674 7183

ABB Automation Products GmbH

Process Automation

Schillerstr. 72
32425 Minden
Germany
Tel: +49 551 905 534
Fax: +49 551 905 555

ABB S.p.A.

Process Automation

Via Statale 113
22016 Lenno (CO)
Italy
Tel: +39 0344 58111
Fax: +39 0344 56278

www.abb.com

Note

We reserve the right to make technical changes or modify the contents of this document without prior notice. With regard to purchase orders, the agreed particulars shall prevail. ABB does not accept any responsibility whatsoever for potential errors or possible lack of information in this document.

We reserve all rights in this document and in the subject matter and illustrations contained therein. Any reproduction, disclosure to third parties or utilization of its contents - in whole or in parts - is forbidden without prior written consent of ABB.

Copyright© 2013 ABB
All rights reserved

3KXP200016R1001



Sales



Service



Software